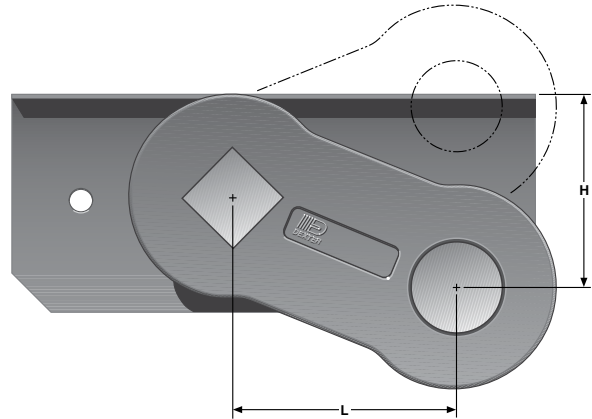




Articulation Dimensions

Dimensions are for high profile, top mount only. Side mount is .31" higher. Allow 3" bump clearance from full load.

Start Angle	Bracket Profile	No Load		Full Load		Shock Load	
		H	L	H	L	H	L
45° down	Hi	7.18	4.24	5.24	5.54	4.24	5.83
22.5° down	Hi	5.24	5.54	2.94	6.00	1.90	5.91
10° down	Hi	3.98	5.91	1.64	5.86	0.64	5.54
0°	Hi	2.94	6.00	0.64	5.54	-0.28	5.06
10° up	Hi	1.90	5.91	-0.28	5.06	-1.11	4.42
22.5° up	Hi	0.64	5.54	-1.30	4.24	-1.97	3.44



Note: Positive numbers in the H column indicate the spindle is BELOW the top of the bracket. Conversely, negative numbers are ABOVE the top of the bracket.

Overhang Per Side

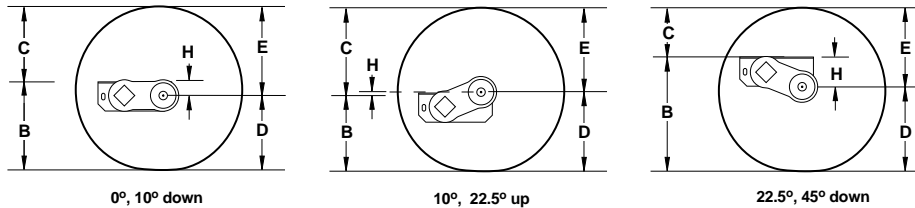
Spindle	Min.	Max.	Brake
13D	12.25"	17.20"	12¼" x 4"
13G one-piece	10.11"	17.20"	12¼" x 3⅝"
13G two-piece	11.35"	17.20"	12¼" x 3⅝"

Note: Dual wheel not available for 13G one-piece.



Full Load Dimensions

Dimensions are for high profile, top mount only. Side mount is .31" higher. Allow 3" bump clearance from full load.



Start Angle

Tire	* **		45° Down			22.5° Down			10° Down			0°			10° Up			22.5° Up		
	D	E	H	B	C	H	B	C	H	B	C	H	B	C	H	B	C	H	B	C
10R17.5HC	15.6	18.0	5.2	20.2	13.4	2.9	17.9	15.7	1.6	16.6	17.0	.6	15.6	18.0	-0.3	14.6	18.9	-1.3	13.6	19.9
215/75R 17.5	14.0	15.3	5.2	18.6	10.8	2.9	16.3	13.1	1.6	15.0	14.4	.6	14.0	15.4	-0.3	13.0	16.3	-1.3	12.0	17.3
12-16.5 LT	14.9	15.8	5.2	19.5	11.3	2.9	17.2	13.6	1.6	15.9	14.9	.6	14.9	15.9	-0.3	13.9	16.8	-1.3	12.9	17.8
9.50-16.5 LT	14.1	15.2	5.2	18.7	10.6	2.9	16.4	12.9	1.6	15.1	14.2	.6	14.1	15.2	-0.3	13.1	16.1	-1.3	12.1	17.1
9R 17.5 HC	15.4	17.1	5.2	20.0	12.5	2.9	17.7	14.8	1.6	16.4	1.61	.6	15.4	17.1	-0.3	14.4	18.0	-1.3	13.4	19.0

Columns D and E are dimensional examples only:

* D – Static Loaded Radius

** E – Inflated Radius

#13D & #13G Bracket Dimensions

A	1.22
B	3.63
C	10.56
D	10.56
E	13.00
F	5.50
G	2.50
J	2.25
L	7.26
P	1.00
Q	1.00
Bolt Size	5/8" bolt
Tube Size	3.88

