

Fax: _____ Attn: _____

Sold To:



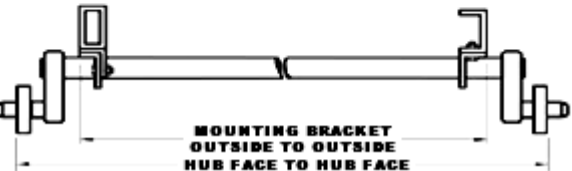
Ship To:

Customer #: _____ Customer PO#: _____ Part #: _____

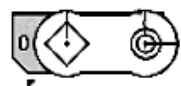





Customer Order #: _____ Ship via: _____

From CSR: _____ Branch: _____ Branch Fax #: _____

Tubular Axle: <input type="checkbox"/>	<input type="checkbox"/> Beam Only
Axle Tube: <input type="checkbox"/> Round (Std)	<input type="checkbox"/> Square
Brake:	<input type="checkbox"/> Idler <input type="checkbox"/> Idler Flgd <input type="checkbox"/> Electric <input type="checkbox"/> Single Servo Hyd <input type="checkbox"/> Duo Servo Hyd <input type="checkbox"/> Freeback <input type="checkbox"/> Hyd Disc <input type="checkbox"/> w/ Parking Brake <input type="checkbox"/> Air <input type="checkbox"/> ABS <input type="checkbox"/> Spring Brakes <input type="checkbox"/> Freeback Marine
Spindle Type:	<input type="checkbox"/> Straight <input type="checkbox"/> 4" Drop <input type="checkbox"/> 6" Drop (3.5K) <input type="checkbox"/> EZ Lube <input type="checkbox"/> Nev-R-Lube <input type="checkbox"/> Oil <input type="checkbox"/> Std Grease <input type="checkbox"/> w/ Brake Flange
Cambered:	<input type="checkbox"/> Yes <input type="checkbox"/> No
Drop Center (V-Camber):	<input type="checkbox"/> Yes <input type="checkbox"/> No
Stud Size:	<input type="checkbox"/> 1/2 <input type="checkbox"/> 5/8 Flgd <input type="checkbox"/> 9/16 <input type="checkbox"/> 5/8 Coned
Capacity:	_____
Bolt Pattern:	_____
Hub Face:	_____
Spring Center/Outside Bracket:	_____
Axle Finish:	<input type="checkbox"/> Painted (Std) <input type="checkbox"/> Galvanized

Torflex Axle: <input type="checkbox"/>	<i>Square Tube Only</i>
Spindle:	<input type="checkbox"/> Short <input type="checkbox"/> Long
	
	
	

Torflex Start Angle

0 <input type="checkbox"/>	10 Up <input type="checkbox"/>	22.5 Up <input type="checkbox"/>
		
10 Down <input type="checkbox"/>	22.5 Down <input type="checkbox"/>	45 Down <input type="checkbox"/>
		

AP Brackets: Less AP Brackets (Topmount) w/ AP Brackets (Sidemount)

Overslung: Underslung: Hub. Dia. For 2K 545 5.5, 8-12" Wheels 6.5, 12-15" Wheels

Additional Options: _____

How Many: _____ Price Each: _____

THANK YOU FOR YOUR ORDER! TO HELP US AVOID DELAYS AND PROVIDE YOU WITH THE PRODUCTS YOU NEED FOR YOUR PRODUCTION, PLEASE DOUBLE CHECK THE MEASUREMENTS AND ADVISE US OF ANY CORRECTIONS.

I VERIFY THAT THE PARTS/AXLES INDICATED ABOVE ARE CORRECT AND ACKNOWLEDGE THAT ALL SPECIAL ORDER AXLES ARE NON-REFUNDABLE AND MAY REQUIRE A DEPOSIT.

Customer Signature (required): _____ Date: _____

For questions or concerns, contact us at: _____ and ask for _____

If confirmation & deposit are received by: _____ Estimated ship date: _____