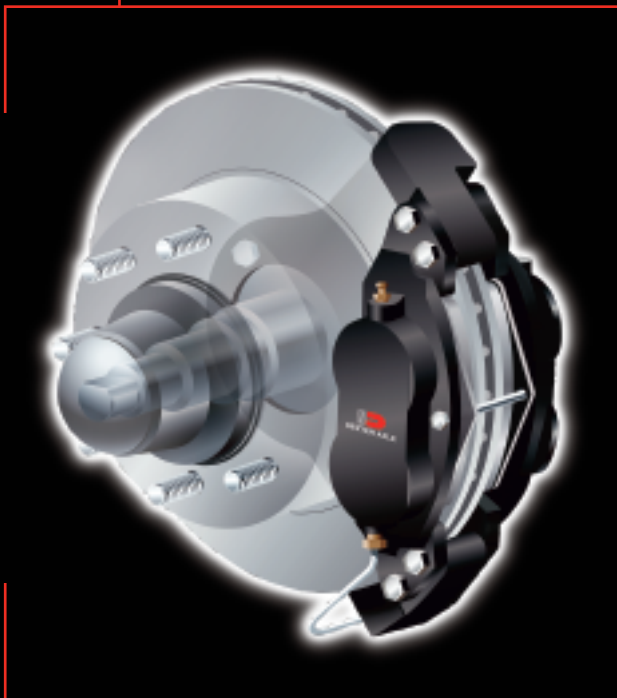


# TRAILER RUNNING GEAR

600 - 8,000 lbs. Capacity



  
**DEXTER AXLE**  
[www.dexteraxle.com](http://www.dexteraxle.com)

# INTRODUCTION

---

This information is intended as a guide for the proper specification and application of Dexter Axle running gear, associated components and accessories.

Dexter offers a full line of trailer axles that can be used in many different applications. When specifying any pre-engineered components such as axles, it is the responsibility of the trailer designer to insure compatibility with the vehicle and all of its sub-systems.

## *Important Information*

The information presented is meant to assist trailer manufacturers in the specification of their running gear components. Dexter Axle does not warrant that the information given constitutes an approved trailer design or application. Dynamic loading, travel requirements unique to the trailer design, unusual service conditions, trailer configurations, unequal load distribution, hitch or coupler arrangements and towing vehicle suspension characteristics can significantly affect the performance of any trailer axle and/or suspension systems. It remains the responsibility of the trailer manufacturer to evaluate, specify and test their trailer/running gear combination before production and to certify it as such. While the information presented at the time of this writing is current, it is subject to change as designs and components evolve over time.

## *Disclaimer of Warranty and Limitation of Liability*

All users of this product catalog acknowledge that the information presented is significantly affected by factors within the exclusive knowledge of the user including, among other things, service conditions, trailer configurations, load distributions, hitch and coupler arrangements and tow vehicle suspension characteristics, that the users have independently investigated these factors and have solely relied on those investigations when using this catalog, and that it is the responsibility of the user to adequately specify, evaluate and test its trailer/running gear combinations.

**DEXTER AXLE DISCLAIMS ALL WARRANTIES, WHETHER WRITTEN, ORAL OR IMPLIED, IN FACT OR IN LAW (INCLUDING ANY WARRANTY OF MERCHANTABILITY OR FITNESS FOR A PARTICULAR PURPOSE), ASSOCIATED WITH THE USE OF THE CATALOG AND WITH ANY INFORMATION PRESENTED BY THIS CATALOG.**

Dexter Axle shall not be liable in damages (whether compensatory, punitive, direct, indirect, special, incidental or consequential) to any user of this catalog under contract, tort, strict liability or any other theory of liability, and any user agrees to indemnify and hold Dexter Axle harmless from any and all claims, actions or other proceedings (including attorney fees and court costs) arising out of the use of this catalog to the extent said claims, actions or other proceedings do not arise out of the sole and exclusive negligence of Dexter Axle.

## *Load Ratings*

The maximum load carrying capacity of any assembly is limited to the lowest load rating of any individual component selected. For instance, the load rating of a pair of wheels may be lower than other axle components selected. If this is the case, the load carrying capacity of the axle assembly is reduced accordingly. As a specific example, if a pair of wheels is rated at 1500 pounds each and is used with other components rated at 4000 pounds per axle, the maximum load capacity is limited to 3000 pounds. If two tires are rated at 1400 pounds each and are used on this assembly, the maximum load carrying capacity is limited to 2800 pounds.

## *Axle Orientation*

When working with trailer running gear, it is important to understand the various features and descriptions of the equipment. Most trailer axles are directional by nature, that is, it is imperative that they be installed onto the trailer in the proper manner to ensure brake functioning and correct wheel alignment. The front of the axle must be oriented toward the front of the trailer. The convention used to define right and left is based on viewing the trailer from the rear and facing in the direction of forward travel.

Features to help identify the front of the axle:

- Electric brake wires exit brake backing plates toward the rear of the axle.
- Hydraulic brakes usually have the plumbing ports pointing toward the rear of the axle (does not include 12 $\frac{1}{4}$ " diameter brakes).
- 12 $\frac{1}{4}$ " hydraulic brakes have view ports through the dust shield on the back of the assembly. Where the brake lining is visible in the view port, that will indicate the rear or secondary shoe which is always oriented toward the rear of the axle.
- Slipper springs have the spring eye at the front of the axle.
- Leaf spring axles with inner wiring have the wires exit the tube toward the rear of the axle.
- Torflex axles have the wheel center trailing behind the axle tube.
- Axles using  $\frac{3}{4}$ " spherical ball seat wheel nuts will have right and left handed threads. The right handed thread must be on the right end or curb side of the axle while the left handed thread will be on the left end or road side of the axle.

# INTRODUCTION

---

## *Stub Axle Disclaimer*

A stub axle is described as a trailer axle spindle, welded to a short length of tubing. Stub axles may be specified and purchased as plain spindle/tube weldments or they may be fully assembled wheel end units, with or without trailer brakes. These incomplete axles are sold to manufacturers who wish to incorporate them into a variety of applications such as specialty vehicular axles, belt tensioning devices, machinery pivot points, etc. **Dexter Axle has no control of the design intent of these special applications and therefore cannot apply a rating or capacity to these components.**

The spindle/tube connection has been designed for suitable stress levels when used in a trailer axle, mounted to an approved suspension system and loaded to no more than the stated capacity. The use of all or part of the product for applications other than its intended purpose may not be appropriate. It is the customers' responsibility to determine the efficacy and safety of their particular application.

**Torflex® axles** can also be purchased as stub axles. This type of axle incorporates a self-contained suspension system. They can be specified as stub assemblies that will be rated for capacity when fitted with approved mounting brackets. The stated capacity will be based on the lowest rated component in each assembly.

These stub assemblies are essentially half axles that are intended to be mounted to the trailer chassis independent of each other. The trailer manufacturer must assume responsibility for the integrity of the attachment as well as the final wheel alignment since independent mounting puts these critical aspects out of Dexter's control. If used in pairs of unequal capacity, the trailer manufacturer should assign a Gross Axle Weight Rating of not more than two times the capacity of the lower rated sub assembly.

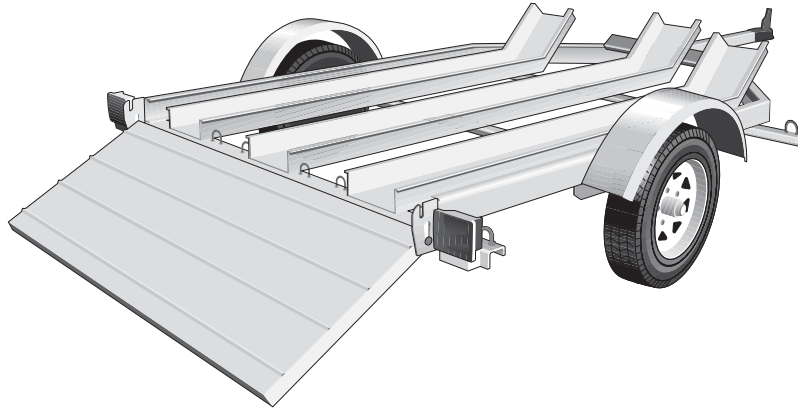
# TABLE OF CONTENTS

---

<b>600-1100 LBS. CAPACITY .....</b>	<b>#8 TORFLEX® .....</b>	<b>4</b>
Torflex® Application Information .....		5
Hub Group .....		7
Brakes .....		8
<b>1000-2200 LBS. CAPACITY .....</b>	<b>#9 TORFLEX®/D20 LEAF SPRING .....</b>	<b>11</b>
Torflex® Application Information .....		12
Leaf Spring Application Information .....		14
Hub Group .....		15
Brakes .....		16
<b>2300-3500 LBS. CAPACITY .....</b>	<b>#10 TORFLEX®/D35 LEAF SPRING .....</b>	<b>19</b>
Torflex® Application Information .....		20
Leaf Spring Application Information .....		22
Hub Group .....		24
Brakes .....		26
<b>4000-6000 LBS. CAPACITY .....</b>	<b>#11 TORFLEX®/D52 LEAF SPRING .....</b>	<b>32</b>
Torflex® Application Information .....		33
Leaf Spring Application Information .....		35
Hub Group .....		37
Brakes .....		40
<b>5500-7000 LBS. CAPACITY .....</b>	<b>#12 TORFLEX®/D60 &amp; D70 LEAF SPRING .....</b>	<b>45</b>
Torflex® Application Information .....		46
Leaf Spring Application Information .....		48
Hub Group .....		50
Brakes .....		52
Airflex™ Suspension System .....		60
<b>7200 LBS. CAPACITY .....</b>	<b>#12V TORFLEX®/D72 LEAF SPRING .....</b>	<b>63</b>
Torflex® Application Information .....		64
Leaf Spring Application Information .....		66
Hub Group .....		67
Brakes .....		69
<b>8000 LBS. CAPACITY .....</b>	<b>#13 TORFLEX®/D80 LEAF SPRING .....</b>	<b>70</b>
Torflex® Application Information .....		71
Leaf Spring Application Information .....		73
Hub Group .....		74
Brakes .....		76
Airflex™ Suspension System .....		82
<b>MISCELLANEOUS</b>		
Wheels and Tires .....		85
Hanger and Attaching Parts Kits .....		86
Torflex® Installation .....		88
Limited Warranty .....		90

## GENERAL APPLICATIONS

600 - 1100 LBS. CAPACITY



## AXLE TYPES

### 600-1100 lbs. capacity

- Ideal application for light utility, for hauling personal watercraft and motorcycles
- Complete service manual
- Heavy duty 1<sup>1</sup>/<sub>16</sub>" spindle design
- Precision machined steel spindles and integral cast iron hub/drums
- Short version spindle for trailers with extremely short overhangs
- 7 x 1<sup>1</sup>/<sub>4</sub>" electric and 7 x 1<sup>1</sup>/<sub>4</sub>" hydraulic brakes
- Electric brakes are available with and without parking feature
- Standard grease lubrication; E-Z Lube® option



- Lower cost
- Totally rubber-cushioned for smooth, quiet independent ride
- Easy installation with less maintenance
- Less transfer of road shock which insulates cargo from road shocks and vibration
- Rubber cords compounded for maximum dependability and durability
- Load-carrying cross member
- Self-damping action
- Independent wheel suspension system
- 5 year limited warranty on suspension system
- Low profile for maximum road clearance
- Various starting angles to control trailer height
- Low profile brackets available
- Rubber cushioning eliminates metal-to-metal contact
- Shock absorption provided by the natural hysteresis of rubber
- Single or tandem axle assemblies
- Durable, wear-resistant components



### CAUTION:

Triple axle assemblies are NOT recommended for Torflex® axles.

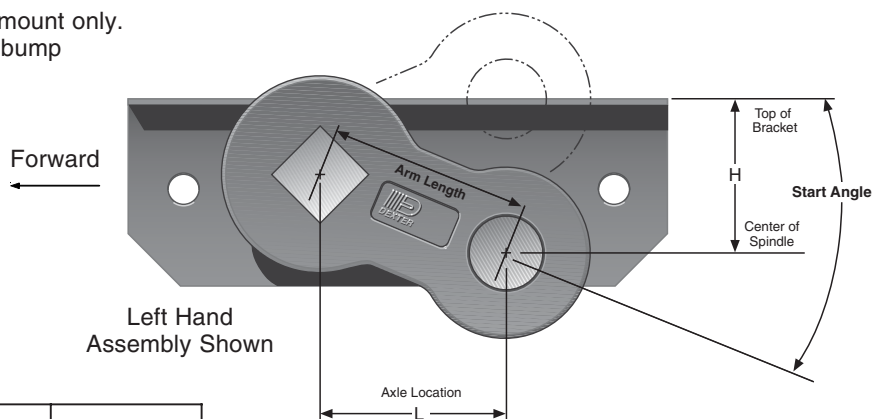
DEXTER AXLE





## Articulation Dimensions

Dimensions are for low profile, top mount only. Side mount is .18" higher. Allow 3" bump clearance from full load.



Start Angle	Bracket Profile	No Load		Full Load		Shock Load	
		H	L	H	L	H	L
45° down	Low	3.84	2.83	2.54	3.70	1.87	3.91
22.5° down	Low	2.54	3.70	1.01	4.00	0.31	3.94
10° down	Low	1.70	3.94	0.14	3.91	-0.52	3.70
0°	Low	1.01	4.00	-0.52	3.70	-1.14	3.37
10° up	Low	0.31	3.94	-1.14	3.37	-1.69	2.95
22.5° up	Low	-0.52	3.70	-1.82	2.83	-2.27	2.29

### #8 OVERHANG PER SIDE

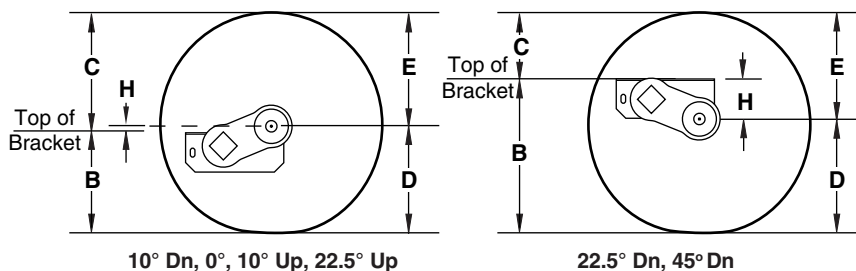
Spindle	Min.	Max.
Short	4.75"	9.04"
Standard	6.00"	9.04"

Note: Positive numbers in the H column indicate the spindle is BELOW the top of the bracket. Conversely, negative numbers are ABOVE the top of the bracket.



## Full Load Dimensions

Dimensions are for low profile, top mount only. Side mount is .18" higher. Allow 3" bump clearance from full load.

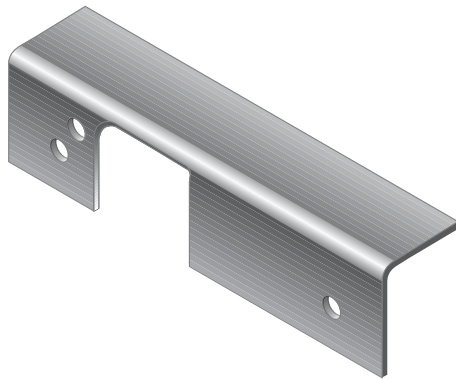
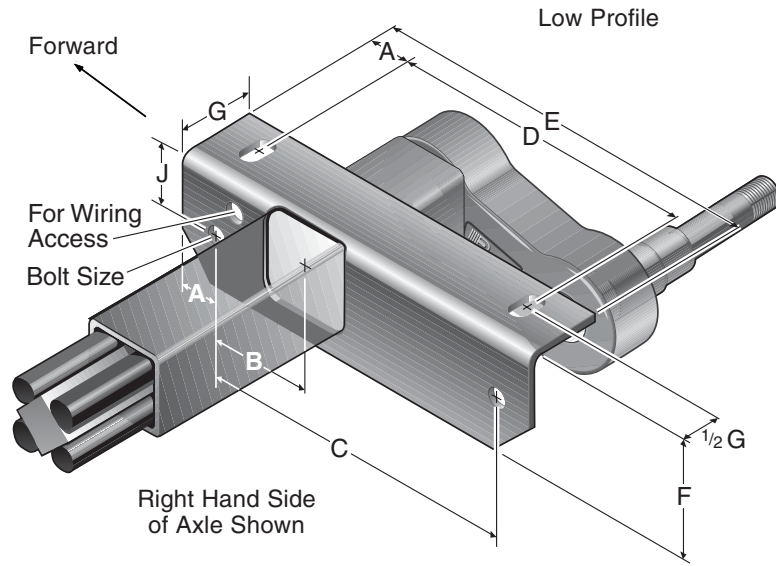


### START ANGLE

Tire	45° Down			22.5° Down			10° Down			0°			10° Up			22.5° Up				
	H	B	C	H	B	C	H	B	C	H	B	C	H	B	C	D	E			
ST175/80R13	2.5	13.7	9.5	1.0	12.2	11.0	0.1	11.3	11.9	-0.5	10.7	12.5	-1.1	10.1	13.1	-1.8	9.4	13.8	11.2	12.0
4.80-8	2.5	10.4	6.3	1.0	8.9	7.8	0.1	8.0	8.7	-0.5	7.4	9.3	-1.1	6.8	9.9	-1.8	6.1	10.6	7.9	8.8
4.80-12	2.5	12.0	8.3	1.0	10.5	9.8	0.1	9.6	10.7	-0.5	9.0	11.3	-1.1	8.4	11.9	-1.8	7.7	12.6	9.5	10.8
20.5x8.0-10	2.5	12.2	8.3	1.0	10.7	9.8	0.1	9.8	10.7	-0.5	9.2	11.3	-1.1	8.6	11.9	-1.8	7.9	12.6	9.7	10.8

600 - 1100 LBS. CAPACITY

**8** Bracket Dimensions



Side Mount Hanger

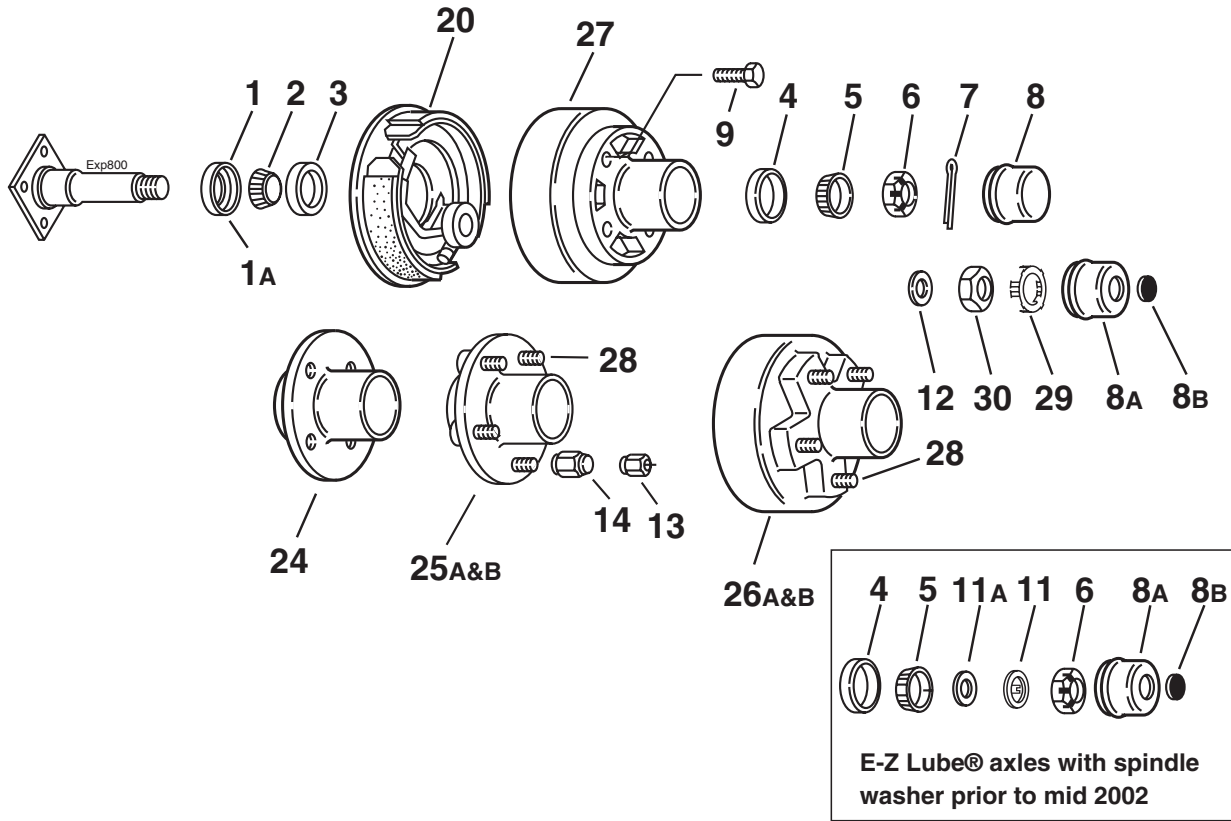
**#8 BRACKET DIMENSIONS**

Low	
A	1.00
B	2.38
C	8.00
D	7.75
E	10.00
F	2.88
G	2.00
J	1.57
Bolt Size	1/2" bolt
Tube Size	1.75

DEXTER AXLE

# 440 AND 545 HUB GROUP

600 - 1100 LBS. CAPACITY



## GREASE LUBE PARTS

Item	Part No.	Description
1	010-009-00	Grease Seal
1A	010-060-00	Grease Seal for E-Z Lube®
2	031-031-02	L44649 Inner Bearing Cone
3	031-031-01	L44610 Inner Bearing Cup
4	031-031-01	L44610 Outer Bearing Cup
5	031-031-02	L44649 Outer Bearing Cone
6	006-001-00	Spindle Nut
7	019-002-00	Cotter Pin (not used with E-Z Lube®)
8	021-003-00	Grease Cap
8A	021-041-01	Grease Cap for E-Z Lube®
8B	085-001-00	Rubber Plug for E-Z Lube®
9	007-040-00	Wheel Bolt
11	005-101-00	Tang Washer for E-Z Lube® (prior to 2002)
11A	005-151-00	Spindle Washer for E-Z Lube® (prior to 2002)
12	005-023-00	Spindle Washer for E-Z Lube® (after 2002)
29	006-190-00	Spindle Nut Retainer for E-Z Lube® (after 2002)
30	006-191-00	Special Jam Nut for E-Z Lube® (after 2002)

## BRAKES

Item	Part No.	Description
20	K23-047-00/K23-048-00	LH/RH 7x1¼ Electric
ns	K23-103-00/K23-104-00	LH/RH 7x1¼ Electric w/park
ns	K23-398-00/K23-399-00	LH/RH 7x1¼ Hydraulic Uni-servo

ns - not shown

## HUBS

Item	Part No.	Description	Bolt Circle
<i>Hubs and Drums</i>			
ns	008-173-16	½" Studs, elec. brakes ONLY	4 on 4.00
ns	008-276-05	½" Studs, hyd. brakes ONLY	4 on 4.00
26A	008-257-05	½" Studs, elec. brakes ONLY	5 on 4.50
26B	008-271-07	½" Studs, hyd. brakes ONLY	5 on 4.50
27	008-173-15	½" Tapped, elec. brakes ONLY	4 on 4.00
ns	008-257-04	½" Tapped, elec. brakes ONLY	5 on 4.50
ns	008-271-04	½" Tapped, hyd. brakes ONLY	5 on 4.50
<i>Plain Hubs</i>			
ns	008-091-05	½" Studs	4 on 4.00
24	008-091-04	½" Tapped	4 on 4.00
25A	008-259-05	½" Studs, 8"-12" wheels ONLY	5 on 4.50
25B	008-258-05	½" Studs, 13"-15" wheels ONLY	5 on 4.50
ns	008-259-04	½" Tapped, 8"-12" wheels ONLY	5 on 4.50
ns	008-258-04	½" Tapped, 13"-15" wheels ONLY	5 on 4.50

## STUDS & WHEEL NUTS

Item	Part No.	Description
9	007-040-00	½-20 Wheel Bolt
13	006-080-00	½-20 60° Cone Nut
14	006-098-00	½-20 Stainless Steel Capped Wheel Nut
28	007-246-00	½-20 Press-in Stud

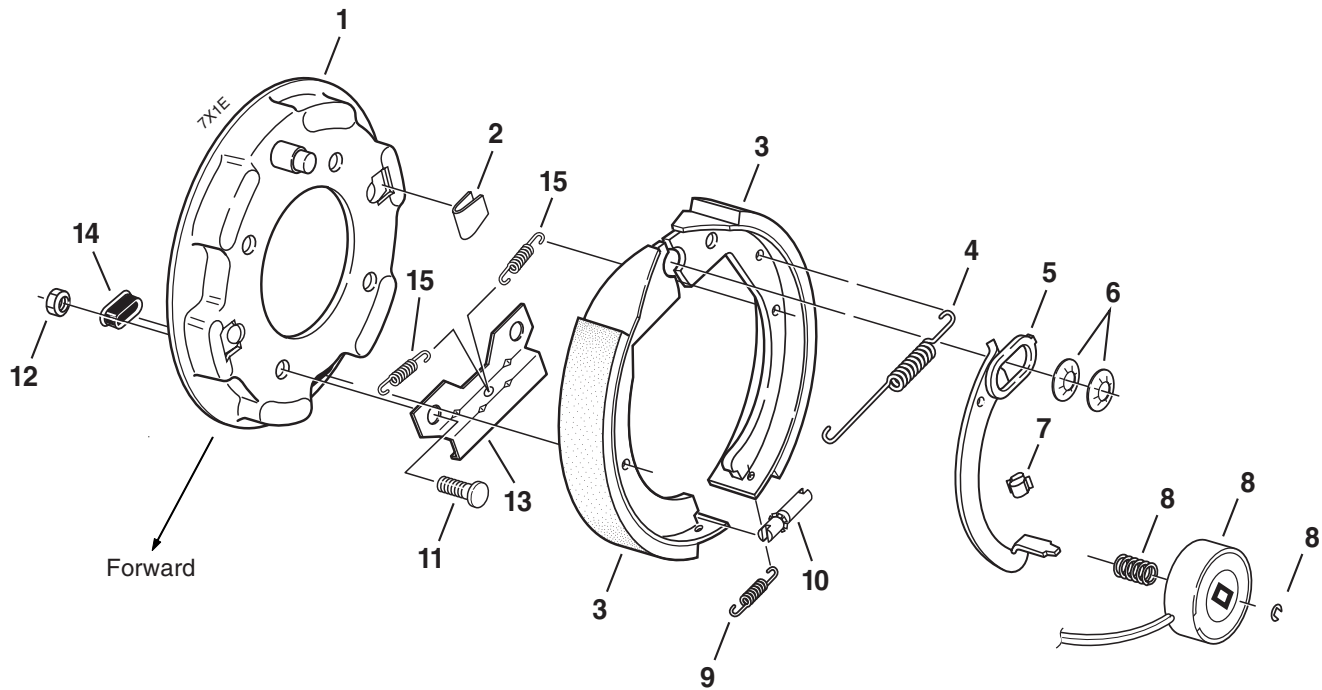
DEXTER AXLE



# 7 x 1 1/4" ELECTRIC BRAKE

CSA approved at 2000# /11.3 SLR; 2200#/10.2SLR

**600 - 1100 LBS. CAPACITY**



## ELECTRIC BRAKE

Item	Part No.	Qty/Brk	Description
0	K23-047-00	1	LH Complete Brake Assembly (shown)
0	K23-048-00	1	RH Complete Brake Assembly
1	036-036-04	1	Backing Plate Assembly (includes items #11, 13)
2	046-023-00	2	Shoe Hold Down Clip
3	K71-045-00	1	Shoe & Lining Kit containing: 1 #040-125-00 Primary S&L 1 #040-049-00 Secondary S&L
4	046-024-00	1	Retractor Spring
5	047-114-04	1	LH Actuating Lever Arm
5	047-115-04	1	RH Actuating Lever Arm
6	046-030-00	2	Anchor Post Clip
7	027-005-00	1	Wire Clip
<b>For brakes manufactured after 4/1/90</b>			
8	K71-057-00	1	Magnet Kit containing: 1 #042-134-00 Magnet 1 #046-121-00 Magnet Clip 1 #046-086-00 Magnet Spring
9	046-022-00	1	Adjusting Screw Spring
10	043-021-00	1	Adjusting Screw
11	007-041-00	4	Brake Mounting Bolt - Press-in
*12	006-017-00	4	Brake Mounting Nut
13	064-001-00	1	Stabilizer Bracket
14	046-007-00	1	Adjuster Slot Plug
<b>For brakes manufactured after 8/1/91</b>			
15	046-114-00	2	Shoe Centering Spring

\* Not included with complete brake assembly. Item sold separately.

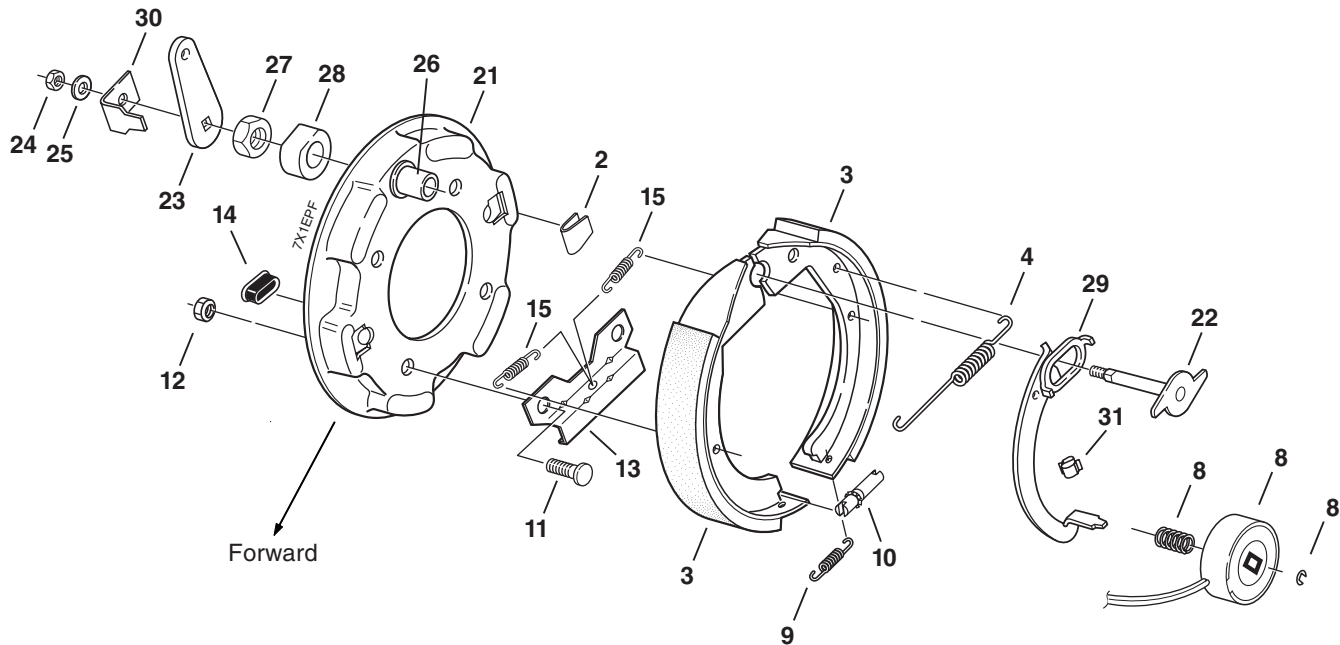
***This brake is rated to a maximum capacity of 2200 lbs. / pair***

**DEXTER AXLE**

# 7 X 1 1/4" ELECTRIC BRAKE WITH PARKING FEATURE

CSA approved at 2000# /11.3 SLR; 2200#/10.2SLR

**600 - 1100 LBS. CAPACITY**



## ELECTRIC PARKING BRAKE

Item	Part No.	Qty/Brk	Description
0	K23-103-00	1	LH Complete Brake Assembly (shown)
0	K23-104-00	1	RH Complete Brake Assembly
2	046-023-00	2	Shoe Hold Down Clip
3	K71-045-00	1	Shoe & Lining Kit containing: 1 #040-125-00 Primary S&L 1 #040-049-00 Secondary S&L
4	046-024-00	1	Retractor Spring
<b>For brakes manufactured after 4/1/90</b>			
8	K71-057-00	1	Magnet Kit containing: 1 #042-134-00 Magnet 1 #046-121-00 Magnet Clip 1 #046-086-00 Magnet Spring
9	046-022-00	1	Adjusting Screw Spring
10	043-021-00	1	Adjusting Screw
11	007-041-00	4	Brake Mounting Bolt - Press-in
*12	006-017-00	4	Brake Mounting Nut
13	064-001-00	1	Stabilizer Bracket
14	046-007-00	1	Adjuster Slot Plug
<b>For brakes manufactured after 8/1/91</b>			
15	046-114-00	2	Shoe Centering Spring

\* Not included with complete brake assembly. Item sold separately.

## ELECTRIC PARKING BRAKE

Item	Part No.	Qty/Brk	Description
21	036-036-07	1	LH Backing Plate & Lever Arm (includes items #22-30, 2, 11, 13)
21	036-036-08	1	RH Backing Plate & Lever Arm (includes items #22-30, 2, 11, 13)
22	039-041-00	1	LH Pivot Pin & Cam Sub-Assembly
22	039-042-00	1	RH Pivot Pin & Cam Sub-Assembly
23	047-079-00	1	Lever
24	006-075-00	1	Self Locking Nut
25	005-056-00	1	Washer
26	038-057-00	1	Anchor Pin
27	006-074-00	1	Self Locking Nut
28	071-031-00	1	Spacer
29	047-114-02	1	LH Lever Arm & Cam Assembly
29	047-115-02	1	RH Lever Arm & Cam Assembly
30	071-033-00	1	Lever Stop
31	027-005-00	1	Wire clip

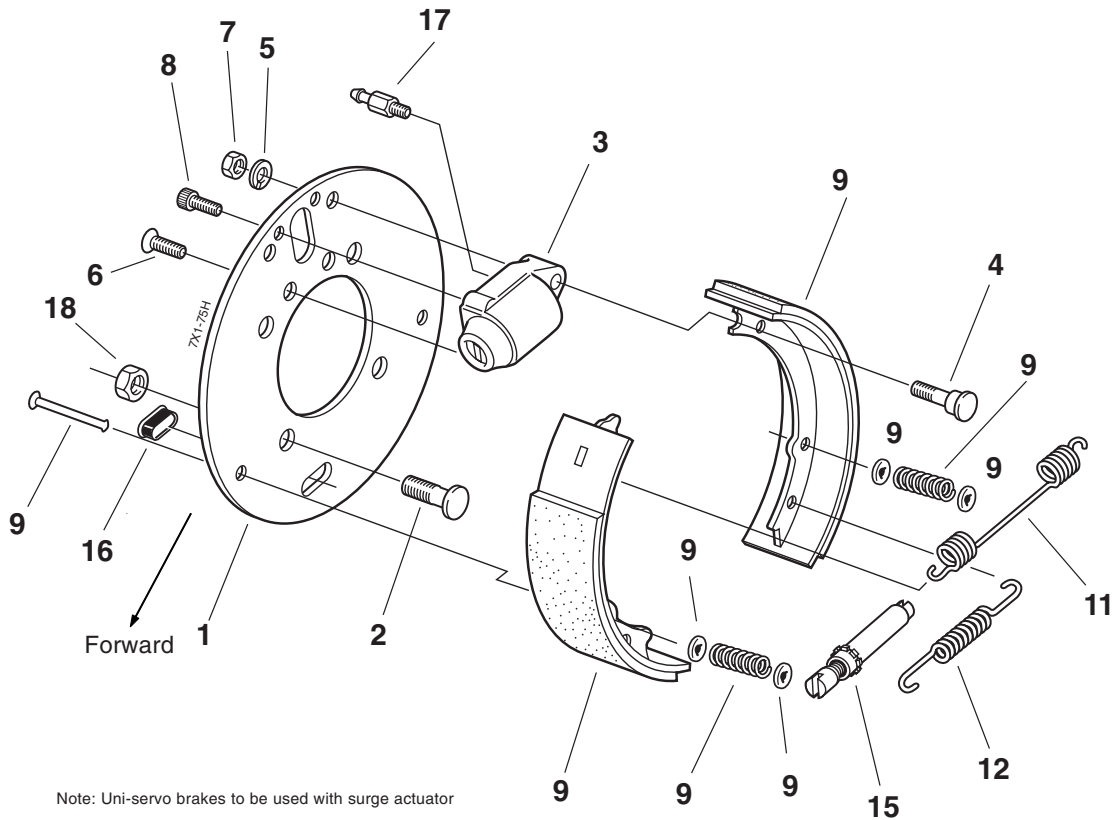
***This brake is rated to a maximum capacity of 2200 lbs. / pair***

**DEXTER AXLE**

# 7 x 1 3/4" HYDRAULIC BRAKE

CSA approved up to 2500# /11.2SLR

**600 - 1100 LBS. CAPACITY**



Note: Uni-servo brakes to be used with surge actuator

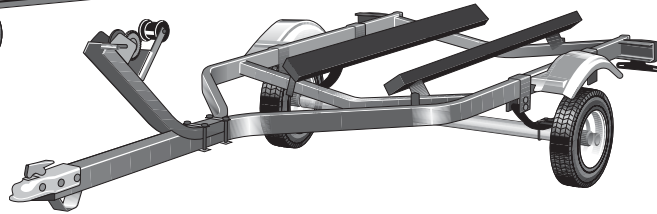
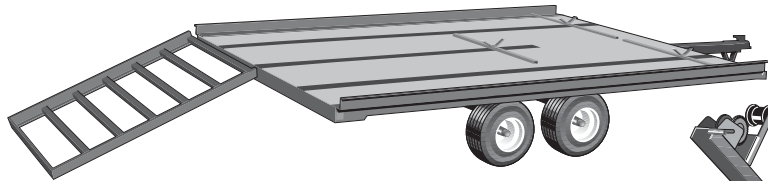
## HYDRAULIC BRAKE

***This brake is rated to a maximum capacity of 2500 lbs. / pair***

Item	Part No.	Qty/Brk	Description
0	K23-398-00	1	LH Complete Brake Assembly (CSA approved) (shown)
0	K23-399-00	1	RH Complete Brake Assembly (CSA approved)
1	036-038-00	1	Backing Plate
2	007-041-00	4	Mounting Stud - Press-in
3	054-080-03	1	Wheel Cylinder Assembly - LH (includes item #17)
3	054-080-04	1	Wheel Cylinder Assembly - RH (includes item #17)
4	038-072-00	1	Anchor Post
5	005-004-00	1	Lock Washer
6	007-235-00	1	Counter Sunk Cap Screw
7	006-010-00	1	Hex Nut
8	007-234-00	1	Socket Head Cap Screw
9	K71-466-00	1	Shoe & Lining Kit containing: 1 #040-327-01 Primary Shoe & Lining 1 #040-328-01 Secondary Shoe & Lining 2 #046-006-00 Shoe Hold Down Spring 4 #035-001-00 Shoe Hold Down Spring Cup 2 #049-014-00 Shoe Hold Down Pin
11	046-126-00	1	Retractor Spring
12	046-127-00	1	Adjusting Screw Spring
15	043-004-00	1	Adjuster Screw Assembly
16	046-007-00	1	Adjuster Slot Plug
17	054-084-00	1	Bleeder Screw (brakes before 1/97) 6mm thread
17	054-088-00	1	Bleeder Screw (brakes after 1/97) 7mm thread
*18	006-017-00	4	Brake Mounting Nut

**DEXTER AXLE**

# GENERAL APPLICATIONS



1000 - 2200 LBS. CAPACITY

## AXLE TYPES

### 1000-2200 lbs. capacity

- Complete service manual
- Heavy duty 1<sup>1</sup>/<sub>16</sub>" spindle design
- Precision machined steel spindles and integral cast iron hub/drums
- CSA approved 7 x 1<sup>1</sup>/<sub>4</sub>" electric and 7 x 1<sup>3</sup>/<sub>4</sub>" hydraulic brakes
- Electric brakes are available with and without parking feature
- Standard grease lubrication; E-Z Lube® option
- Press-in wheel studs
- Inner wiring system for easier installation and protection of brake wiring



- Designed for fold-down campers, light utility, boat trailers applications
- Totally rubber-cushioned for smooth, quiet independent ride
- Easy installation with less maintenance
- Less transfer of road shock which insulates cargo from road shocks and vibration
- Rubber cords compounded for maximum dependability and durability
- Load-carrying cross member
- Self-damping action
- Independent wheel suspension system
- 5 year limited warranty on suspension system
- Low profile for maximum road clearance
- Various starting angles to control trailer height
- High and low profile brackets with optional mounting brackets available
- Rubber cushioning eliminates metal-to-metal contact
- Shock absorption provided by the natural hysteresis of rubber
- Single or tandem axle assemblies
- Durable, wear-resistant components

### D20 LEAF SPRING



- Designed for light-capacity trailers
- Designed for travel trailers being towed by smaller automobiles
- High strength 1<sup>3</sup>/<sub>4</sub>" diameter tube for straight axles and 2<sup>3</sup>/<sub>8</sub>" for drops
- Straight or Drop spindles (4" drop only)
- High quality alloy steel springs in a variety of capacities
- Single, tandem or triple axle assemblies with equalized suspensions
- Slipper spring or double eye leaf spring suspension
- Optional hanger and attaching parts kits available
- Durable, wear-resistant components
- 2 year limited warranty

### CAUTION:

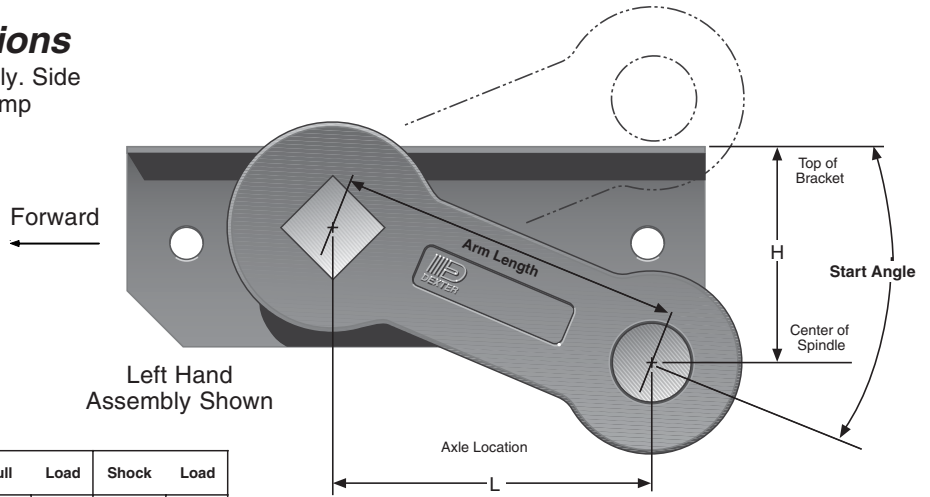
Triple axle assemblies are NOT recommended for Torflex® axles.

DEXTER AXLE



## Articulation Dimensions

Dimensions are for top mount only. Side mount is .18" higher. Allow 3" bump clearance from full load.



Start Angle	Bracket Profile	No Load		Full Load		Shock Load	
		H	L	H	L	H	L
45° down	Low	5.46	4.24	3.52	5.54	2.52	5.86
	High	6.33	4.24	4.38	5.54	3.38	5.86
22.5° down	Low	3.52	5.54	1.22	6.00	0.18	5.91
	High	4.38	5.54	2.00	6.00	1.04	5.91
10° down	Low	2.26	5.91	-0.08	5.86	-1.08	5.54
	High	3.13	5.91	0.79	5.86	-0.21	5.54
0°	Low	1.22	6.00	-1.08	5.54	-2.00	5.06
	High	2.09	6.00	-0.21	5.54	-1.14	5.06
10° up	Low	0.18	5.91	-2.00	5.06	-2.83	4.42
	High	1.04	5.91	-1.14	5.06	-1.97	4.42
22.5° up	Low	-1.08	5.54	-3.02	4.24	-3.70	3.44
	High	-0.21	5.54	-2.16	4.24	-2.83	3.44

### #9 OVERHANG PER SIDE

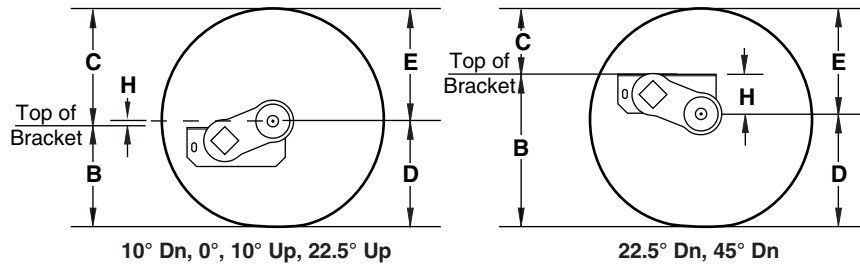
Spindle	Min.	Max.
Short	6.00"	10.90"
Standard	6.50"	10.90"

Note: Positive numbers in the H column indicate the spindle is BELOW the top of the bracket. Conversely, negative numbers are ABOVE the top of the bracket.



## Full Load Dimensions

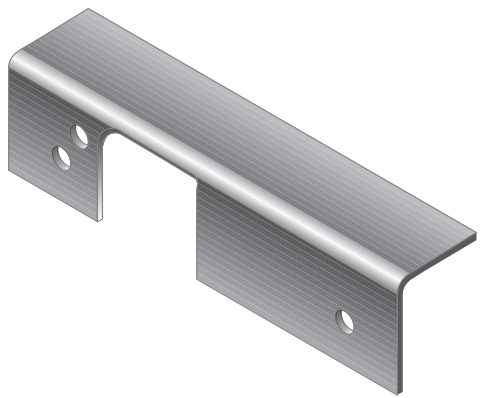
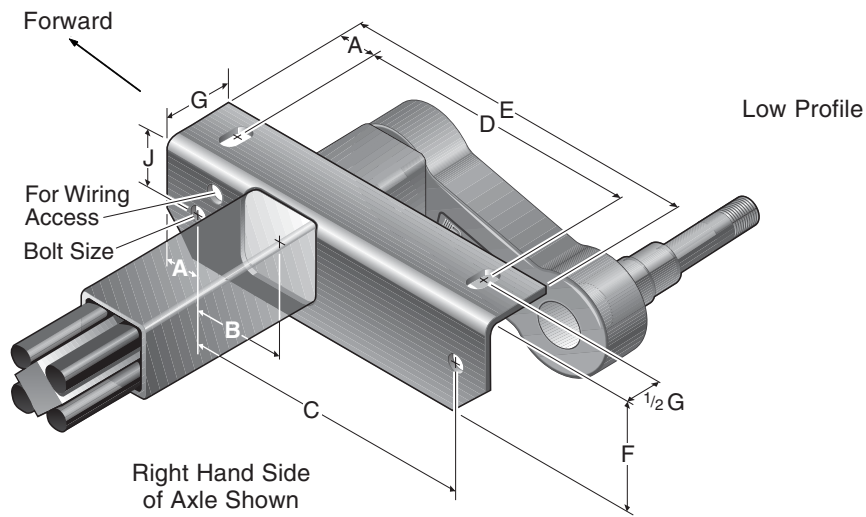
Dimensions are for low profile, top mount only. High profile brackets are .88" higher. Side mount is .18" higher. Allow 3" bump clearance from full load.



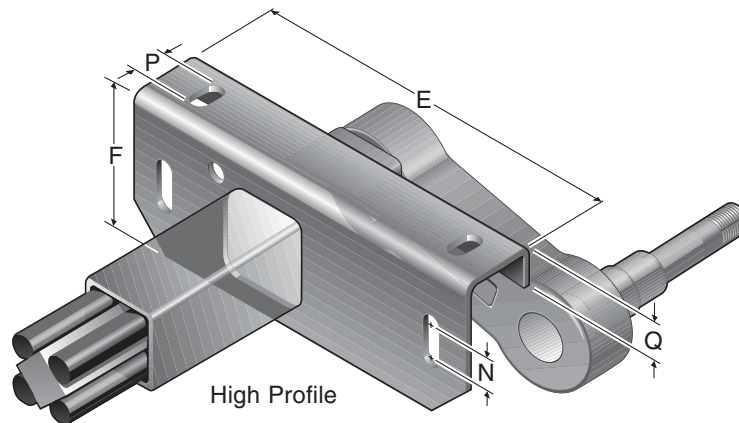
### START ANGLE

Tire	45° Down			22.5° Down			10° Down			0°			10° Up			22.5° Up			D	E
	H	B	C	H	B	C	H	B	C	H	B	C	H	B	C	H	B	C		
ST175/80R13	3.5	14.7	8.5	1.2	12.4	10.8	-0.1	11.1	12.1	-1.1	10.1	13.1	-2.0	9.2	14.0	-3.0	8.2	15.0	11.2	12.0
4.80-8	3.5	11.4	5.3	1.2	9.1	7.6	-0.1	7.8	8.9	-1.1	6.8	9.9	-2.0	5.9	10.8	-3.0	4.9	11.8	7.9	8.8
4.80-12	3.5	13.0	7.3	1.2	10.7	9.6	-0.1	9.4	10.9	-1.1	8.4	11.9	-2.0	7.5	12.8	-3.0	6.5	13.8	9.5	10.8
20.5x8.0-10	3.5	13.2	7.3	1.2	10.9	9.6	-0.1	9.6	10.9	-1.1	8.6	11.9	-2.0	7.7	12.8	-3.0	6.7	13.8	9.7	10.8

## 9 Bracket Dimensions



#9 BRACKET DIMENSIONS		
	Low	High
A	1.00	1.00
B	2.38	2.38
C	8.00	8.00
D	7.75	7.75
E	10.00	10.00
F	2.88	3.75
G	2.00	2.00
J	1.57	1.57
N	----	.86
P	----	.94
Q	----	1.00
Bolt Size	1/2" bolt	
Tube Size	2.17	2.17





# LEAF SPRING APPLICATION INFORMATION

## DOUBLE EYE SPRINGS

For standard 33" axle spacing  
**Single A/P-122-00**  
**Tandem A/P-233-00**  
**Triple A/P-335-00**

	Spring Length		
	21"	24"	26"
A	19.62	23.50	25.75
B	25.00	27.50	29.50
C	28.75	31.00	33.00
D	10.62	12.00	13.00
E	28.75	31.00	33.00

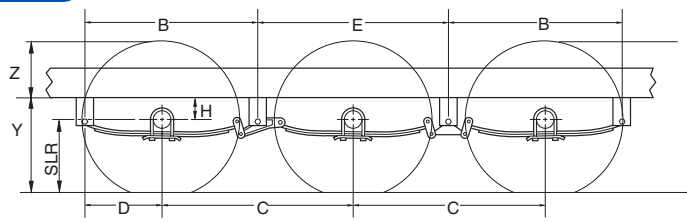
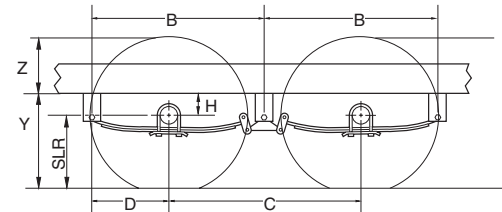
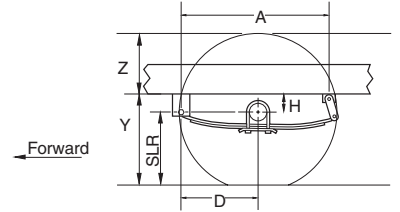
For optional 35" axle spacing  
**Tandem A/P-264-00**  
**Triple A/P-364-00**

	Spring Length		
	21"	24"	26"
B	26.00	28.50	30.50
C	30.80	33.00	35.00
D	10.62	12.00	13.00
E	30.80	33.00	35.00

## D20 OVERHANG PER SIDE

	Min.	Max.
Straight	5.75"	7.62"
Drop	7.62"	9.00"

A, B, E - Hanger Spacing  
 C - Axle Spacing  
 D - Axle Location  
 H - Center of Spindle  
 Y - Frame Height  
 Z - Top of Tire to Bottom of Frame  
 SLR - Static Load Radius  
 Contact your local sales engineer or distributor to run ProSpec™ to determine Y, Z, SLR.



## DOUBLE EYE AXLE ASSEMBLIES

Hanger Kits			Quantity Per Kit				
Part No.	Description	Ht.	HGR-104-00	HGR-105-00	HGR-248-00	HGR-249-00	HGR-348-00
028-005-00	Hanger	3.25"	2	----	4	2	4
028-006-00	Front Hanger	1.44"	----	2	----	----	----
029-008-00	Front Hanger	2.06"	----	----	----	4	----
029-031-00	Center Hanger	3.62"	----	----	2	----	4
030-020-00	Rear Hanger	.91"	2	2	----	----	----

Attaching Parts Kit			A/P-122-00	A/P-233-00	A/P-264-00†	A/P-335-00	A/P-364-00†
006-092-01	Flange Locknut		6	14	14	22	22
007-126-00	Shackle Bolt		2	6	6	10	10
013-104-02	Equalizer		----	2	----	2	----
013-105-02	Equalizer		----	----	----	2	----
013-122-02	Equalizer		----	----	2	----	2
013-126-02	Equalizer		----	----	----	----	2
018-011-00	Shackle Link		----	4	4	6	6
018-012-00	Shackle Link, Long		2	----	----	----	----
018-020-00	Shackle Link Assy.		----	4	4	6	6
018-021-00	Shackle Link Assy., Long		2	----	----	----	----

† For 35" axle spacing using 26" springs

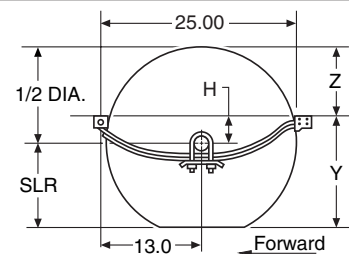
## SLIPPER SPRING AXLE ASSEMBLIES

Hanger Kits			Quantity Per Kit	
Part No.	Description	Ht.	HGR-115-00	
028-039-00	Front Hanger	1.00"	2	
030-037-00	Rear Hanger	.18"	2	

Attaching Parts Kit		
Part No.	Description	A/P-115-00
006-092-01	Locknut	2
007-126-00	Shackle Bolt	2

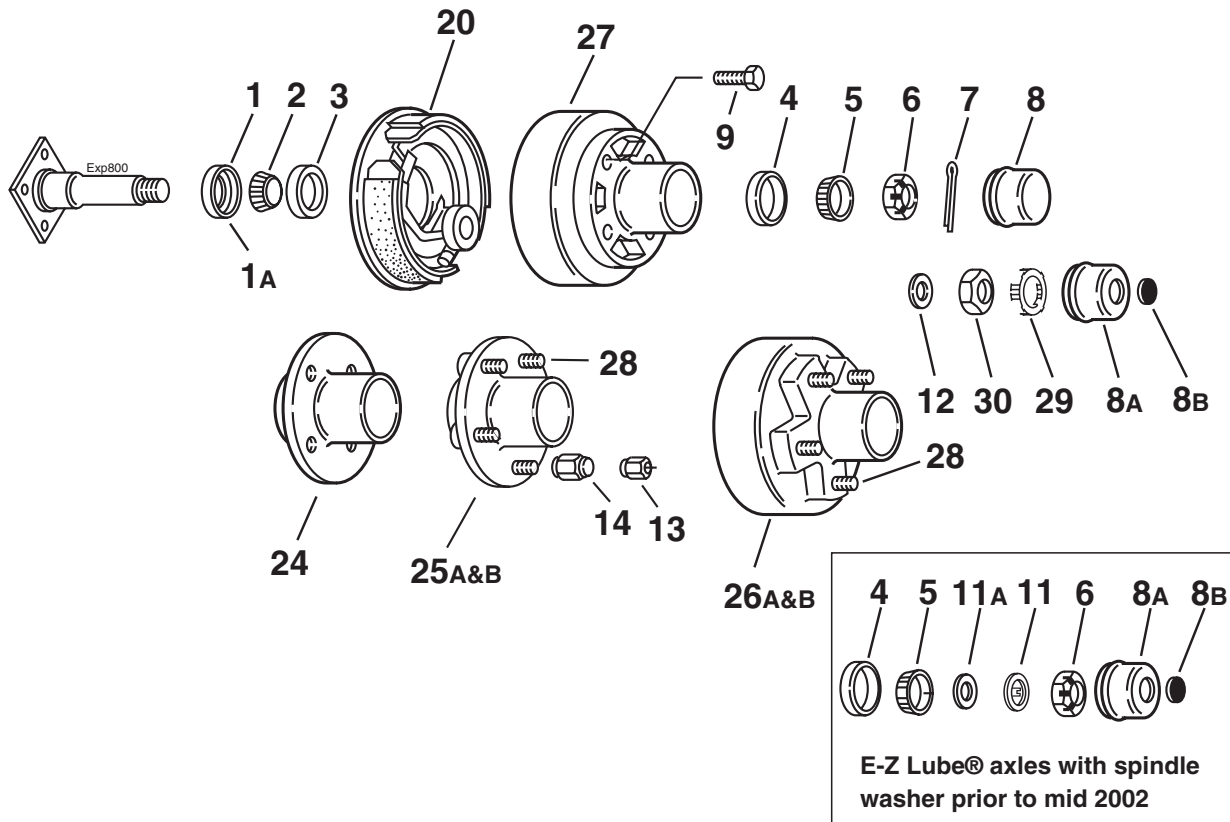
## SLIPPER SPRINGS A/P-115-00



Some combinations of hangers and spring mounting may result in insufficient bump clearance. For additional Hanger kits, A/P kits or other tires, refer to pages 85-87.

# 440 AND 545 HUB GROUP

1000 - 2200 LBS. CAPACITY



## GREASE LUBE PARTS

Item	Part No.	Description
1	010-009-00	Grease Seal
1A	010-060-00	Grease Seal for E-Z Lube®
2	031-031-02	L44649 Inner Bearing Cone
3	031-031-01	L44610 Inner Bearing Cup
4	031-031-01	L44610 Outer Bearing Cup
5	031-031-02	L44649 Outer Bearing Cone
6	006-001-00	Spindle Nut
7	019-002-00	Cotter Pin (not used with E-Z Lube®)
8	021-003-00	Grease Cap
8A	021-041-01	Grease Cap for E-Z Lube®
8B	085-001-00	Rubber Plug for E-Z Lube®
9	007-040-00	Wheel Bolt
11	005-101-00	Tang Washer for E-Z Lube® (prior to 2002)
11A	005-151-00	Spindle Washer for E-Z Lube® (prior to 2002)
12	005-023-00	Spindle Washer for E-Z Lube® (after 2002)
29	006-190-00	Spindle Nut Retainer for E-Z Lube® (after 2002)
30	006-191-00	Special Jam Nut for E-Z Lube® (after 2002)

## BRAKES

Item	Part No.	Description
20	K23-047-00/K23-048-00	LH/RH 7x1¼ Electric
ns	K23-103-00/K23-104-00	LH/RH 7x1¼ Electric w/park
ns	K23-398-00/K23-399-00	LH/RH 7x1¼ Hydraulic Uni-servo

ns - not shown

## HUBS

Item	Part No.	Description	Bolt Circle
<i>Hubs and Drums</i>			
ns	008-173-16	½" Studs, elec. brakes ONLY	4 on 4.00
ns	008-276-05	½" Studs, hyd. brakes ONLY	4 on 4.00
26A	008-257-05	½" Studs, elec. brakes ONLY	5 on 4.50
26B	008-271-07	½" Studs, hyd. brakes ONLY	5 on 4.50
27	008-173-15	½" Tapped, elec. brakes ONLY	4 on 4.00
ns	008-257-04	½" Tapped, elec. brakes ONLY	5 on 4.50
ns	008-271-04	½" Tapped, hyd. brakes ONLY	5 on 4.50
<i>Plain Hubs</i>			
ns	008-091-05	½" Studs	4 on 4.00
24	008-091-04	½" Tapped	4 on 4.00
25A	008-259-05	½" Studs, 8"-12" wheels ONLY	5 on 4.50
25B	008-258-05	½" Studs, 13"-15" wheels ONLY	5 on 4.50
ns	008-259-04	½" Tapped, 8"-12" wheels ONLY	5 on 4.50
ns	008-258-04	½" Tapped, 13"-15" wheels ONLY	5 on 4.50

## STUDS & WHEEL NUTS

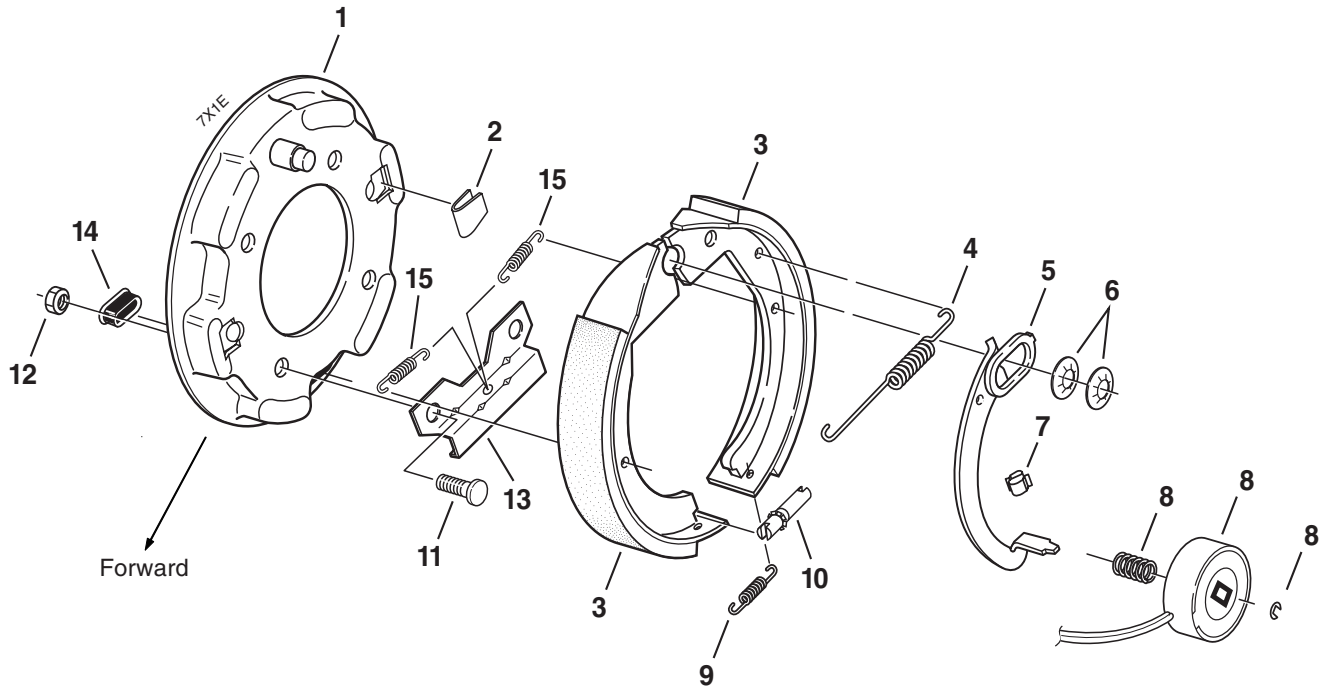
Item	Part No.	Description
9	007-040-00	½-20 Wheel Bolt
13	006-080-00	½-20 60° Cone Nut
14	006-098-00	½-20 Stainless Steel Capped Wheel Nut
28	007-246-00	½-20 Press-in Stud

DEXTER AXLE

# 7 x 1 1/4" ELECTRIC BRAKE

CSA approved at 2000# /11.3 SLR; 2200#/10.2SLR

1000 - 2200 LBS. CAPACITY



## ELECTRIC BRAKE

Item	Part No.	Qty/Brk	Description
0	K23-047-00	1	LH Complete Brake Assembly (shown)
0	K23-048-00	1	RH Complete Brake Assembly
1	036-036-04	1	Backing Plate Assembly (includes items #11, 13)
2	046-023-00	2	Shoe Hold Down Clip
3	K71-045-00	1	Shoe & Lining Kit containing: 1 #040-125-00 Primary S&L 1 #040-049-00 Secondary S&L
4	046-024-00	1	Retractor Spring
5	047-114-04	1	LH Actuating Lever Arm
5	047-115-04	1	RH Actuating Lever Arm
6	046-030-00	2	Anchor Post Clip
7	027-005-00	1	Wire Clip
<b>For brakes manufactured after 4/1/90</b>			
8	K71-057-00	1	Magnet Kit containing: 1 #042-134-00 Magnet 1 #046-121-00 Magnet Clip 1 #046-086-00 Magnet Spring
9	046-022-00	1	Adjusting Screw Spring
10	043-021-00	1	Adjusting Screw
11	007-041-00	4	Brake Mounting Bolt - Press-in
*12	006-017-00	4	Brake Mounting Nut
13	064-001-00	1	Stabilizer Bracket
14	046-007-00	1	Adjuster Slot Plug
<b>For brakes manufactured after 8/1/91</b>			
15	046-114-00	2	Shoe Centering Spring

\* Not included with complete brake assembly. Item sold separately.

**This brake is rated to a maximum capacity of 2200 lbs. / pair**

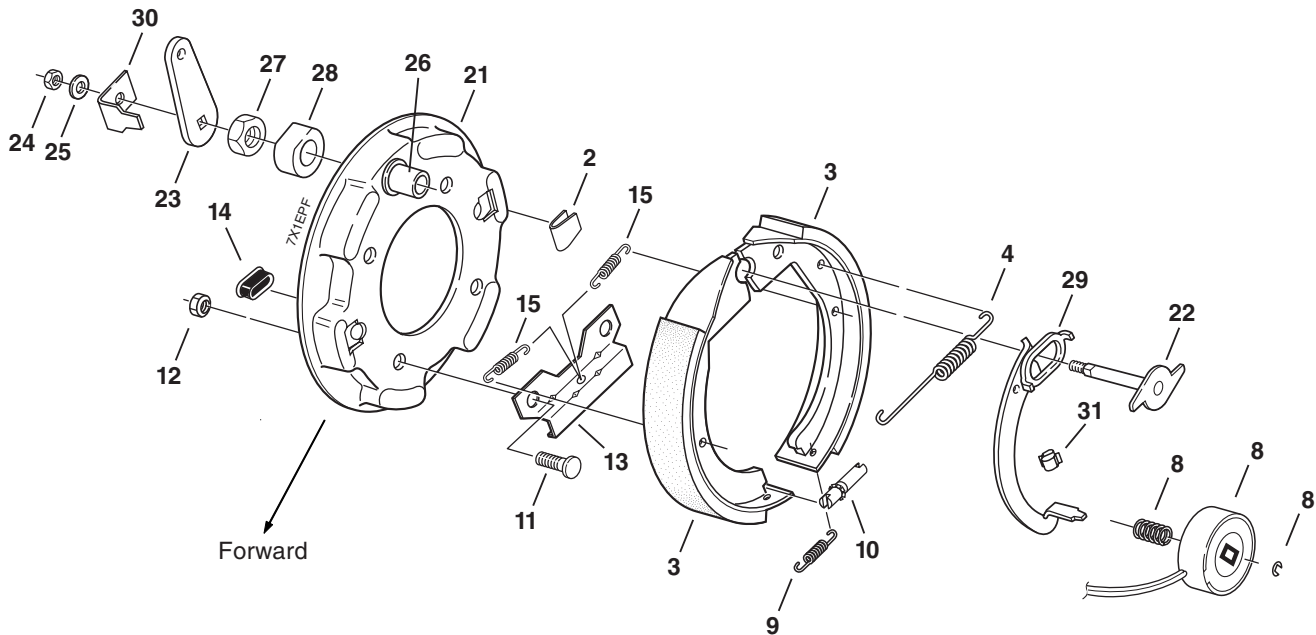
DEXTER AXLE

# 7 x 1 1/4" ELECTRIC BRAKE WITH PARKING FEATURE

CSA approved at 2000# /11.3 SLR; 2200#/10.2SLR

1000 - 2200 LBS. CAPACITY

DEXTER AXLE



## ELECTRIC PARKING BRAKE

Item	Part No.	Qty/Brk	Description
0	K23-103-00	1	LH Complete Brake Assembly (shown)
0	K23-104-00	1	RH Complete Brake Assembly
2	046-023-00	2	Shoe Hold Down Clip
3	K71-045-00	1	Shoe & Lining Kit containing: 1 #040-125-00 Primary S&L 1 #040-049-00 Secondary S&L
4	046-024-00	1	Retractor Spring
<b>For brakes manufactured after 4/1/90</b>			
8	K71-057-00	1	Magnet Kit containing: 1 #042-134-00 Magnet 1 #046-121-00 Magnet Clip 1 #046-086-00 Magnet Spring
9	046-022-00	1	Adjusting Screw Spring
10	043-021-00	1	Adjusting Screw
11	007-041-00	4	Brake Mounting Bolt - Press-in
*12	006-017-00	4	Brake Mounting Nut
13	064-001-00	1	Stabilizer Bracket
14	046-007-00	1	Adjuster Slot Plug
<b>For brakes manufactured after 8/1/91</b>			
15	046-114-00	2	Shoe Centering Spring

\* Not included with complete brake assembly. Item sold separately.

## ELECTRIC PARKING BRAKE

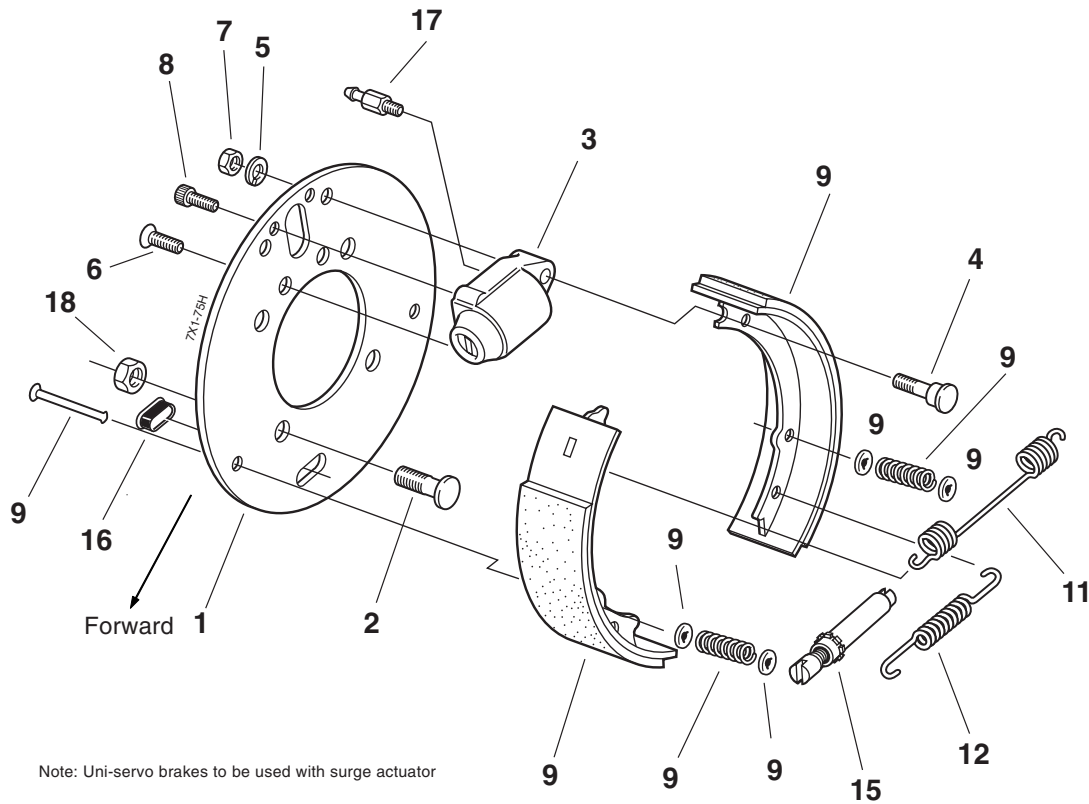
Item	Part No.	Qty/Brk	Description
21	036-036-07	1	LH Backing Plate & Lever Arm (includes items #22-30, 2, 11, 13)
21	036-036-08	1	RH Backing Plate & Lever Arm (includes items #22-30, 2, 11, 13)
22	039-041-00	1	LH Pivot Pin & Cam Sub-Assembly
22	039-042-00	1	RH Pivot Pin & Cam Sub-Assembly
23	047-079-00	1	Lever
24	006-075-00	1	Self Locking Nut
25	005-056-00	1	Washer
26	038-057-00	1	Anchor Pin
27	006-074-00	1	Self Locking Nut
28	071-031-00	1	Spacer
29	047-114-02	1	LH Lever Arm & Cam Assembly
29	047-115-02	1	RH Lever Arm & Cam Assembly
30	071-033-00	1	Lever Stop
31	027-005-00	1	Wire clip

**This brake is rated to a maximum capacity of 2200 lbs. / pair**

# 7 x 1 3/4" HYDRAULIC BRAKE

CSA approved up to 2500# /11.2SLR

1000 - 2200 LBS. CAPACITY



Note: Uni-servo brakes to be used with surge actuator

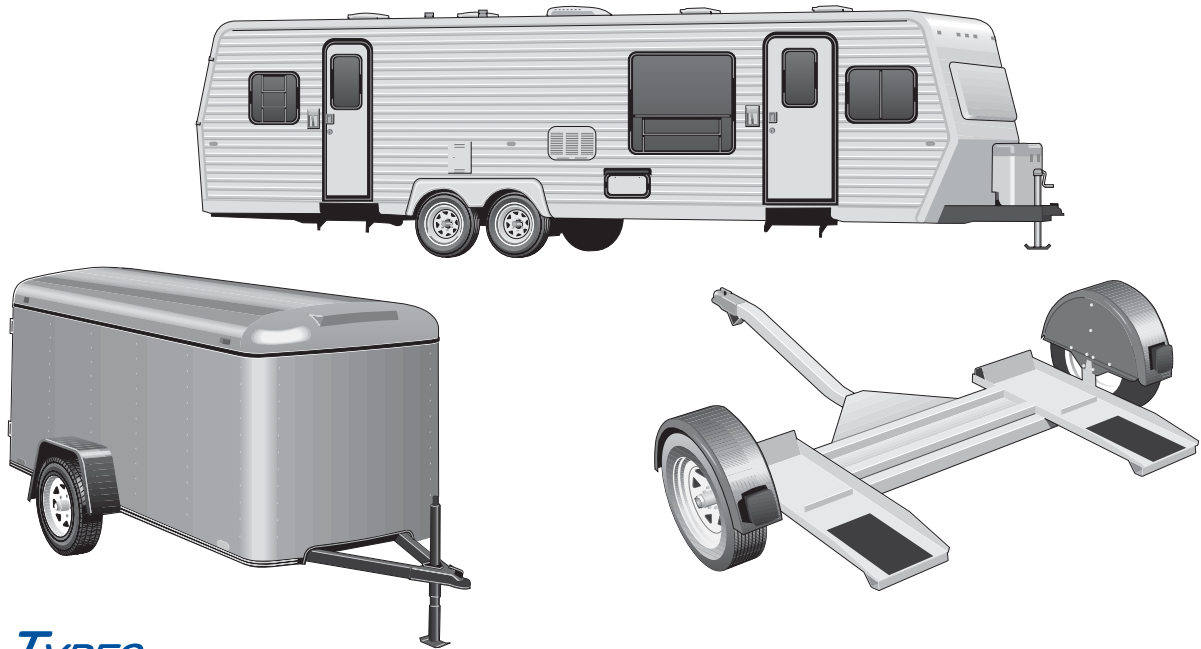
## HYDRAULIC BRAKE

Item	Part No.	Qty/Brk	Description
0	K23-398-00	1	LH Complete Brake Assembly (CSA approved) (shown)
0	K23-399-00	1	RH Complete Brake Assembly (CSA approved)
1	036-038-00	1	Backing Plate
2	007-041-00	4	Mounting Stud - Press-in
3	054-080-03	1	Wheel Cylinder Assembly - LH (includes item #17)
3	054-080-04	1	Wheel Cylinder Assembly - RH (includes item #17)
4	038-072-00	1	Anchor Post
5	005-004-00	1	Lock Washer
6	007-235-00	1	Counter Sunk Cap Screw
7	006-010-00	1	Hex Nut
8	007-234-00	1	Socket Head Cap Screw
9	K71-466-00	1	Shoe & Lining Kit containing: 1 #040-327-01 Primary Shoe & Lining 1 #040-328-01 Secondary Shoe & Lining 2 #046-006-00 Shoe Hold Down Spring 4 #035-001-00 Shoe Hold Down Spring Cup 2 #049-014-00 Shoe Hold Down Pin
11	046-126-00	1	Retractor Spring
12	046-127-00	1	Adjusting Screw Spring
15	043-004-00	1	Adjuster Screw Assembly
16	046-007-00	1	Adjuster Slot Plug
17	054-084-00	1	Bleeder Screw (brakes before 1/97) 6mm thread
17	054-088-00	1	Bleeder Screw (brakes after 1/97) 7mm thread
*18	006-017-00	4	Brake Mounting Nut

**This brake is rated to a maximum capacity of 2500 lbs. / pair**

DEXTER AXLE

# GENERAL APPLICATIONS



2300 - 3500 LBS. CAPACITY

## AXLE TYPES

### 2300-3500 lbs. capacity

- Complete service manual
- Precision machined steel spindles and integral cast iron hub/drums
- Press-in wheel studs
- 10 x 2 1/4" CSA approved electric brakes, CSA approved uni-servo and free backing hydraulic brakes
- Electric and hydraulic brakes are available with and without parking feature
- Hydraulic free backing brakes available
- Hydraulic disc brakes available
- Inner wiring system for easier installation and protection of brake wiring
- Standard grease; E-Z Lube® or Nev-R-Lube™ option



- Totally rubber-cushioned for smooth, quiet independent ride
- Easy installation with less maintenance
- Less transfer of road shock which insulates cargo from road shocks and vibration
- Rubber cords compounded for maximum dependability and durability
- Load-carrying cross member
- Self-damping action
- Independent wheel suspension system
- 5 year limited warranty on suspension system
- Low profile for maximum road clearance
- Various starting angles to control trailer height
- High and low profile brackets with optional mounting brackets available
- Rubber cushioning eliminates metal-to-metal contact
- Shock absorption provided by the natural hysteresis of rubber
- Single or tandem axle assemblies
- Durable, wear-resistant components

### D35 LEAF SPRING



- Straight or Drop spindles (4" and 6" drop)
- High strength 2 3/8" diameter tube
- High quality alloy steel springs in a variety of capacities
- Single, tandem or triple axle assemblies with equalized suspensions
- Slipper spring or double eye leaf spring suspension
- Optional hanger and attaching parts kits available
- Durable, wear-resistant components
- 2 year limited warranty



#### CAUTION:

Triple axle assemblies are NOT recommended for Torflex® axles.

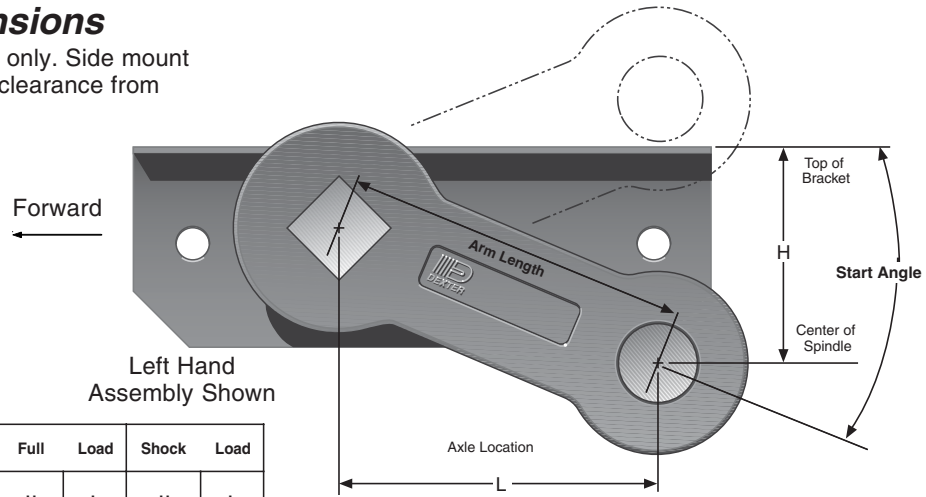
DEXTER AXLE





## Articulation Dimensions

Dimensions are for top mount only. Side mount is .18" higher. Allow 3" bump clearance from full load.



Left Hand Assembly Shown

Start Angle	Bracket Profile	No Load		Full Load		Shock Load	
		H	L	H	L	H	L
45° down	Low	5.73	4.24	3.79	5.54	2.79	5.86
	High	6.55	4.24	4.61	5.54	3.61	5.86
22.5° down	Low	3.79	5.54	1.49	6.00	0.45	5.91
	High	4.61	5.54	2.31	6.00	1.27	5.91
10° down	Low	2.53	5.91	0.19	5.86	-0.81	5.54
	High	3.35	5.91	1.01	5.86	0.01	5.54
0°	Low	1.49	6.00	-0.81	5.54	-1.73	5.06
	High	2.31	6.00	0.01	5.54	-0.91	5.06
10° up	Low	0.45	5.91	-1.73	5.06	-2.56	4.42
	High	1.27	5.91	-0.91	5.06	-1.74	4.42
22.5° up	Low	-0.81	5.54	-2.75	4.24	-3.43	3.44
	High	0.01	5.54	-1.93	4.24	-2.60	3.44

### #10 OVERHANG PER SIDE

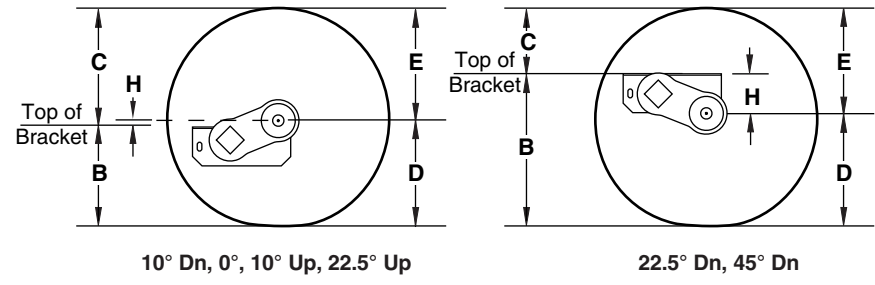
Spindle	Min.	Max.
Standard	6.30"	11.80"
Disc Brake	6.56"	11.80"

Note: Positive numbers in the H column indicate the spindle is BELOW the top of the bracket. Conversely, negative numbers are ABOVE the top of the bracket.



## Full Load Dimensions

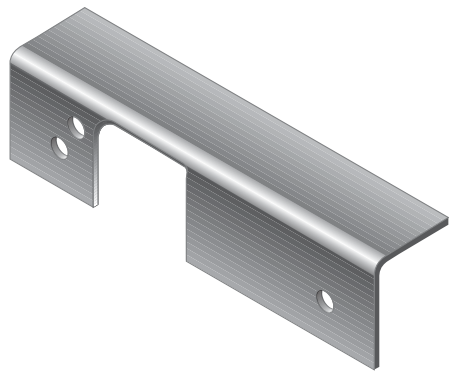
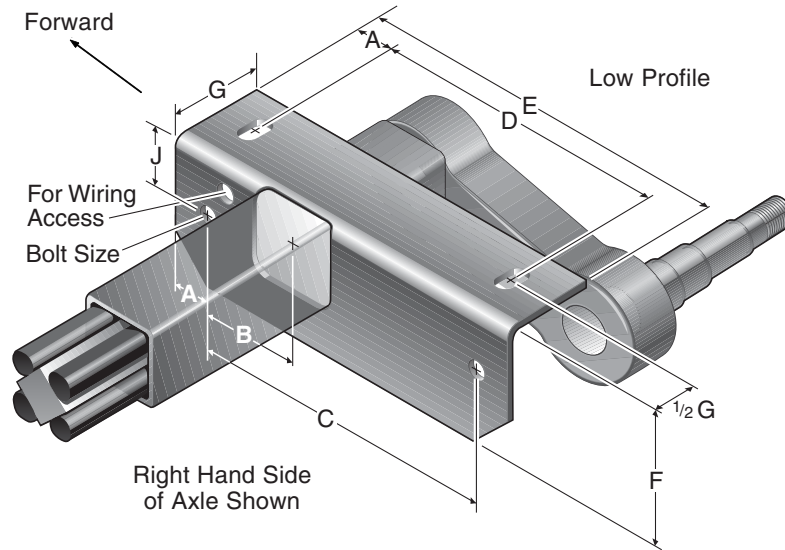
Dimensions are for low profile, top mount only. High profile brackets are .82" higher. Side mount is .18" higher. Allow 3" bump clearance from full load.



### START ANGLE

Tire	45° Down			22.5° Down			10° Down			0°			10° Up			22.5° Up			D	E
	H	B	C	H	B	C	H	B	C	H	B	C	H	B	C	H	B	C		
ST175/80R13	3.8	15.0	8.2	1.5	12.7	10.5	0.2	11.4	11.8	-0.8	10.4	12.8	-1.7	9.5	13.7	-2.8	8.4	14.8	11.2	12.0
ST205/75R14	3.8	15.9	9.3	1.5	13.6	11.6	0.2	12.3	12.9	-0.8	11.3	13.9	-1.7	10.4	14.8	-2.8	9.3	15.9	12.1	13.1
ST225/75R15	3.8	16.8	10.6	1.5	14.5	12.9	0.2	13.2	14.2	-0.8	12.2	15.2	-1.7	11.3	16.1	-2.8	10.2	17.2	13.0	14.4

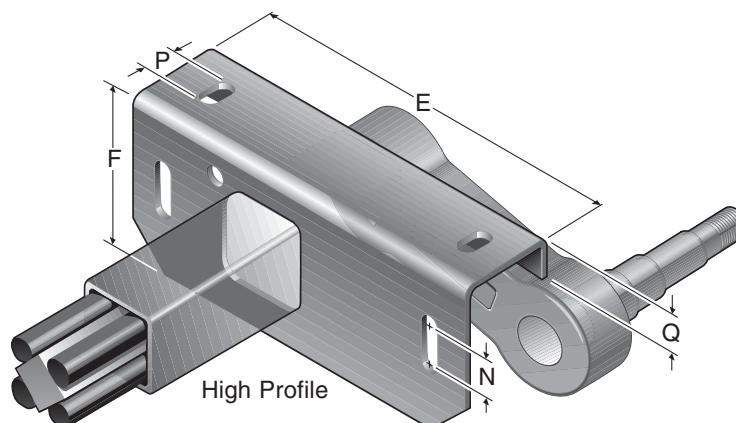
**10** Bracket Dimensions



Side Mount Hanger

**#10 BRACKET DIMENSIONS**

	Low	High
A	1.00	1.00
B	2.50	2.50
C	8.00	8.00
D	8.00	8.00
E	10.00	10.00
F	3.43	4.25
G	2.50	2.50
J	1.62	1.62
N	----	1.03
P	----	1.00
Q	----	1.00
Bolt Size	5/8" bolt	
Tube Size	2.62	2.62



# LEAF SPRING APPLICATION INFORMATION

**2300 - 3500 LBS. CAPACITY**

## DOUBLE EYE SPRINGS

*For standard 33" axle spacing*  
Single A/P-122-00

Tandem A/P-233-00

Triple A/P-335-00

Spring Length

	21"	24"	26"
A	19.62	23.50	25.75
B	25.00	27.50	29.50
C	28.75	31.00	33.00
D	10.62	12.00	13.00
E	28.75	31.00	33.00

*For optional 35" axle spacing*  
Tandem A/P-264-00

Triple A/P-364-00

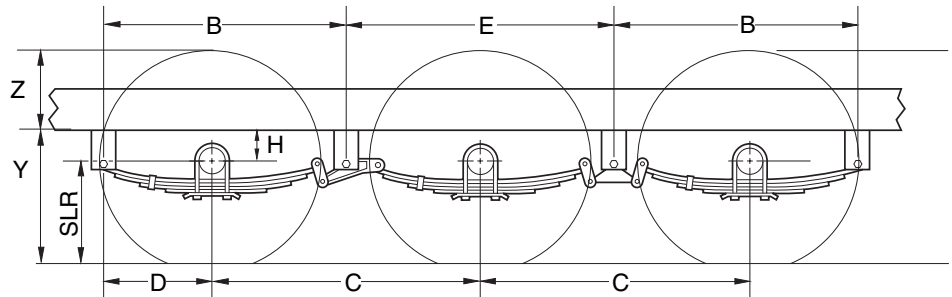
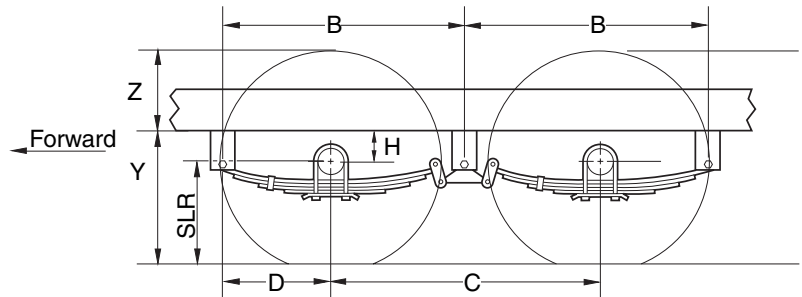
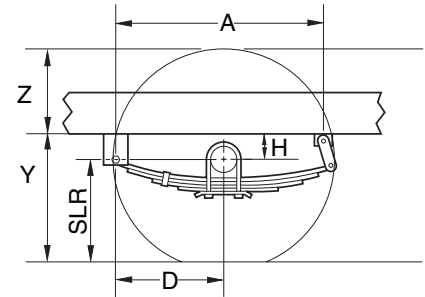
Spring Length

	21"	24"	26"
B	26.00	28.50	30.50
C	30.80	33.00	35.00
D	10.62	12.00	13.00
E	30.80	33.00	35.00

## D35 OVERHANG PER SIDE

	Min.	Disc.*	Max.
Straight	5.62"	7.5"	9.00"
4" Drop	7.00"	7.5"	9.00"
6" Drop	7.87"	7.87"	9.00"
3" dia. Str.	5.62"	7.5"	11.50"
3" dia. Drop	7.00"	7.5"	11.50"
Nev-R-Lube™	5.31"	-	9.00"

\* Minimum overhang with disc brakes



## DOUBLE EYE AXLE ASSEMBLIES

### Hanger Kits

Part No.	Description	Ht.	Quantity Per Kit				
			HGR-104-00	HGR-105-00	HGR-248-00	HGR-249-00	HGR-348-00
028-005-00	Hanger	3.25"	2	---	4	2	4
028-006-00	Front Hanger	1.44"	---	2	---	---	---
029-008-00	Front Hanger	2.06"	---	---	---	4	---
029-031-00	Center Hanger	3.62"	---	---	2	---	4
030-020-00	Rear Hanger	.91"	2	2	---	---	---

### Attaching Parts Kit

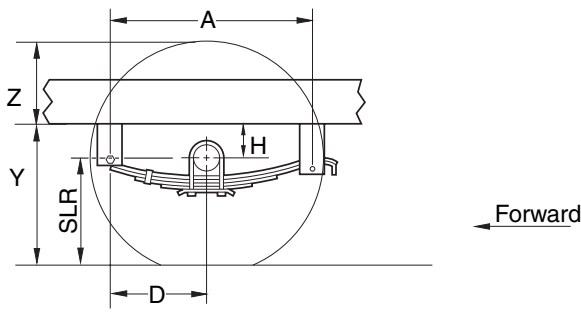
Part No.	Description	A/P-122-00	A/P-233-00	A/P-264-00†	A/P-335-00	A/P-364-00†
006-092-01	Flange Locknut	6	14	14	22	22
007-126-00	Shackle Bolt	2	6	6	10	10
013-104-02	Equalizer	---	2	---	2	---
013-105-02	Equalizer	---	---	---	2	---
013-122-02	Equalizer	---	---	2	---	2
013-126-02	Equalizer	---	---	---	---	2
018-011-00	Shackle Link	---	4	4	6	6
018-012-00	Shackle Link, Long	2	---	---	---	---
018-020-00	Shackle Link Assy.	---	4	4	6	6
018-021-00	Shackle Link Assy., Long	2	---	---	---	---

† For 35" axle spacing with 26" springs

**DEXTER AXLE**

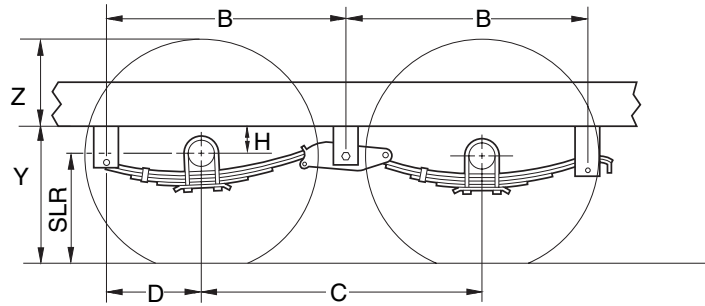
# LEAF SPRING APPLICATION INFORMATION

**2300 - 3500 LBS. CAPACITY**

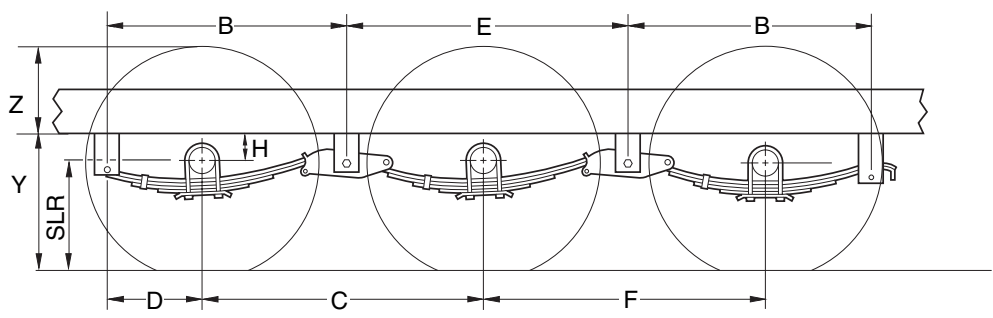


SLIPPER SPRINGS					
	Single	Tandem		Triple	
	A/P-103-00	A/P-202-00§	A/P-216-00‡	A/P-302-00§	A/P-316-00‡
A	24.0	----	----	----	----
B	----	28.8	30.4	28.8	30.4
C	----	33.5	36.0	33.5	36.0
D	11.5	11.5	11.5	11.5	11.5
E	----	----	----	33.0	35.0
F	----	----	----	33.0	35.0

Note: All 2" Wide Slipper Springs  
 § For 33.5" axle spacing      ‡ For 36" axle spacing



A, B, E - Hanger Spacing  
 C - Axle Spacing  
 D - Axle Location  
 H - Center of Spindle  
 Y - Frame Height  
 Z - Top of Tire to Bottom of Frame  
 SLR - Static Load Radius  
 Contact your local sales engineer or distributor to run ProSpec™ to determine H, Y, Z, SLR.



## SLIPPER SPRING AXLE ASSEMBLIES

Hanger Kits				Quantity Per Kit		
Part No.	Description	Ht.	HGR-110-00	HGR-202-00	HGR-302-00	
028-001-00	Front Hanger	4.25"	2	2	2	
029-001-00	Center Hanger	3.50"	----	2	4	
030-028-00	Rear Hanger	4.00"	2	2	2	
Attaching Parts Kit						
Part No.	Description	A/P-103-00	A/P-202-00§	A/P-216-00‡	A/P-302-00§	A/P-316-00‡
006-007-01	9/16"-18 Locknut	2	4	4	6	6
006-011-00	Keeper Nut	2	4	4	6	6
006-111-00	Equalizer Nut	----	2	2	4	4
007-001-01	Equalizer Bolt	----	2	2	4	4
007-007-00	Keeper Bolt	2	4	4	6	6
007-017-00	Spring Eye Bolt	2	4	4	6	6
013-004-00	Equalizer	----	2	----	4	----
013-044-01	Equalizer	----	----	2	----	4

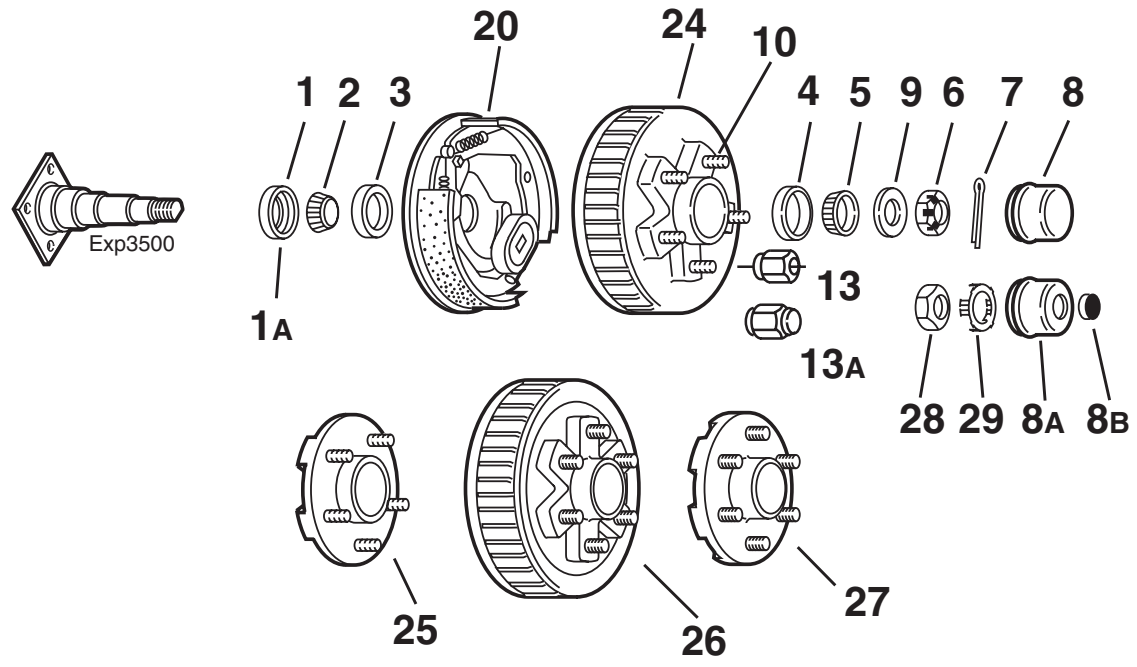
§ For 33.5" axle spacing  
 ‡ For 36" axle spacing

Some combinations of hangers and spring mounting may result in insufficient bump clearance. For additional Hanger kits, AP kits or other tires, refer to pages 85-87.

**DEXTER AXLE**

**2300 - 3500 LBS. CAPACITY**

## 545 AND OTHER HUB GROUP



### GREASE LUBE PARTS

Item	Part No.	Description
1	010-004-00	Grease Seal
1A	010-019-00	Grease Seal for E-Z Lube®
2	031-033-02	L68149 Inner Bearing Cone
3	031-033-01	L68111 Inner Bearing Cup
4	031-031-01	L44610 Outer Bearing Cup
5	031-031-02	L44649 Outer Bearing Cone
6	006-001-00	Spindle Nut
7	019-002-00	Cotter Pin
8	021-003-00	Grease Cap
8A	021-041-01	Grease Cap for E-Z Lube®
8B	085-001-00	Rubber Plug for E-Z Lube®
9	005-023-00	Spindle Washer
28	006-191-00	Special Jam Nut for E-Z Lube® (after 2002)
29	006-190-00	Spindle Nut Retainer for E-Z Lube® (after 2002)

### 10 X 2 1/4 BRAKES

Item	Part No.	Description
20	K23-026-00/K23-027-00	LH/RH Electric
ns	K23-086-00/K23-087-00	LH/RH Electric with park
ns	K23-312-00/K23-313-00	LH/RH Hydraulic Uni-servo
ns	K23-330-00/K23-331-00	LH/RH Hydraulic Uni-servo w/park
ns	K23-310-00/K23-311-00	LH/RH Hydraulic Duo-servo
ns	K23-400-00/K23-401-00	LH/RH Hydraulic Duo-servo w/park
ns	K23-344-00/K23-345-00	LH/RH Hydraulic Free Backing
ns	K23-344-01/K23-345-01	LH/RH Hydraulic FB Corrosion Resistant

ns - not shown

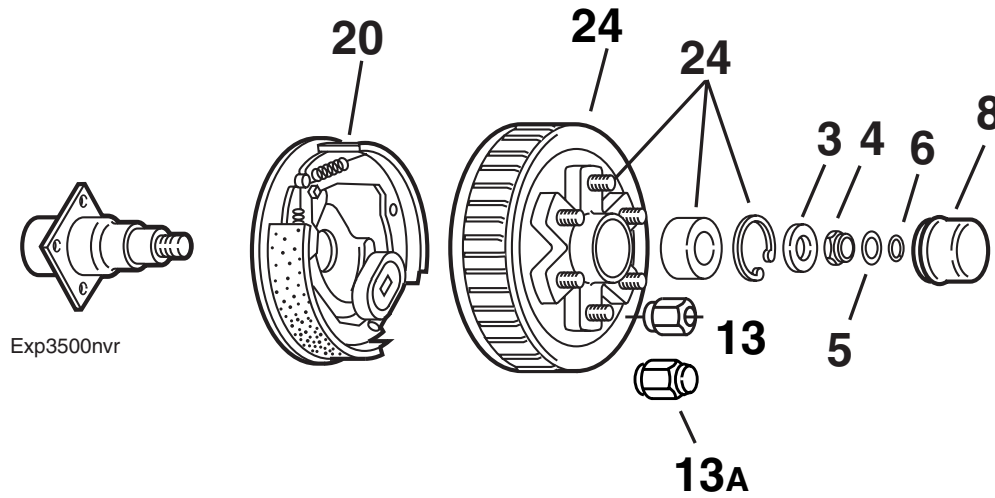
### HUBS

Item	Part No.	Description	Bolt Circle
<i>Hubs and Drums</i>			
24	008-247-05	1/2" Stud	5 on 4.50
24	008-249-07	1/2" Stud	5 on 5.00
24	008-249-05	1/2" Stud	5 on 5.50
26	008-250-05	1/2" Stud	6 on 5.50
24	008-247-12	1/2" Stud	5 on 4.75
<i>Plain Hubs</i>			
25	008-248-05	1/2" Stud	5 on 4.50
25	008-248-10	1/2" Stud	5 on 4.75
25	008-256-07	1/2" Stud	5 on 5.00
25	008-256-05	1/2" Stud	5 on 5.50
27	008-251-05	1/2" Stud	6 on 5.50

### STUDS & WHEEL NUTS

Item	Part No.	Description
10	007-122-00	1/2-20 Pressed Wheel Stud
13A	006-098-00	1/2-20 Stainless Steel Capped Wheel Nut
13	006-080-00	1/2-20 60° Cone Nut

**DEXTER AXLE**



### NEV-R-LUBE™ PARTS 35MM

Item	Part No.	Description
3	005-150-00	Spindle Washer
4	006-183-00	Spindle Nut
5	092-002-00	Washer, Torque Label
6	069-096-00	Snap Ring
8	021-084-00	Grease Cap

### HUB WITH BEARING AND WHEEL STUDS

Item	Part No.	Description	Bolt Circle
24	008-386-80	Hub and Drum includes: 007-185-00 ½-20 Press-in Stud 031-072-03 35mm Cartridge Bearing 069-094-00 Bearing Retainer	6 on 5.50

### 10 X 2¼ BRAKES

Item	Part No.	Description
20	K23-026-00/K23-027-00	LH/RH Electric
ns	K23-086-00/K23-087-00	LH/RH Electric with park
ns	K23-312-00/K23-313-00	LH/RH Hydraulic Uni-servo
ns	K23-330-00/K23-331-00	LH/RH Hydraulic Uni-servo w/park
ns	K23-310-00/K23-311-00	LH/RH Hydraulic Duo-servo
ns	K23-400-00/K23-401-00	LH/RH Hydraulic Duo-servo w/park
ns	K23-344-00/K23-345-00	LH/RH Hydraulic Free Backing
ns	K23-344-01/K23-345-01	LH/RH Hydraulic FB Corrosion Resistant

### WHEEL NUTS

Item	Part No.	Description
13A	006-098-00	½-20 Stainless Steel Capped Wheel Nut
13	006-080-00	½-20 60° Cone Nut

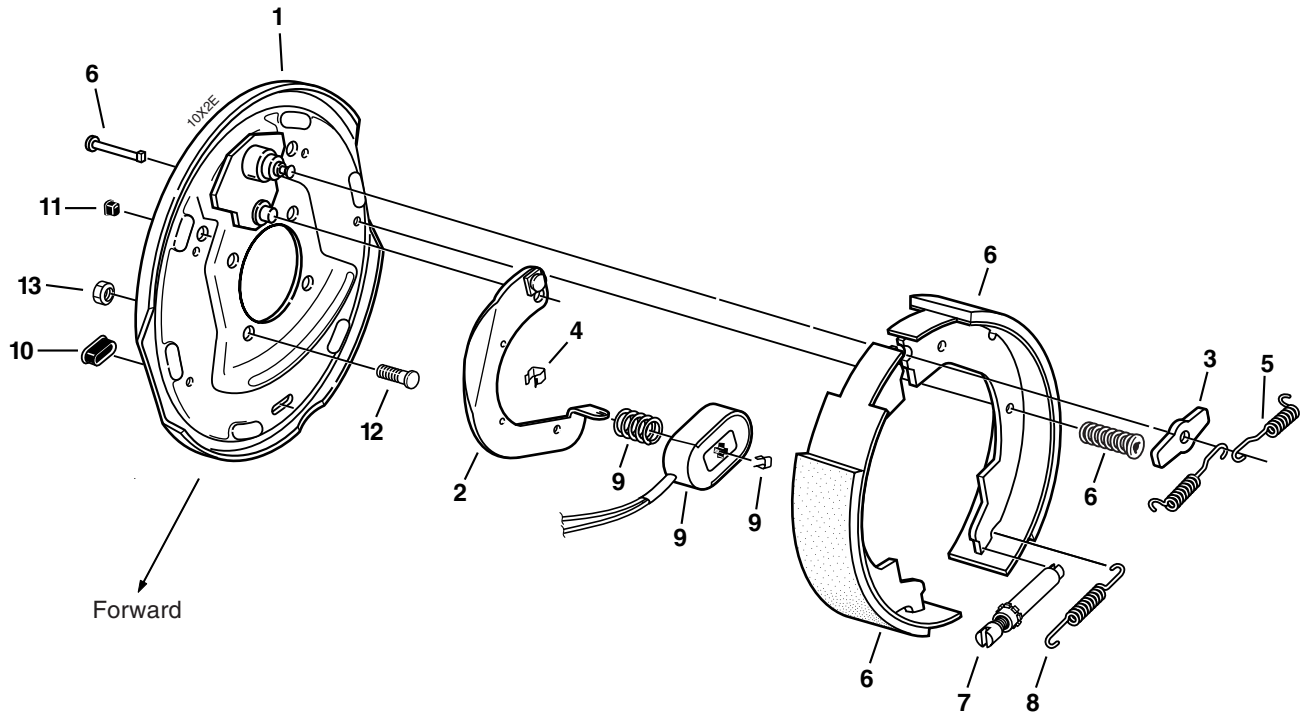
ns - not shown



# 10x2 1/4" ELECTRIC BRAKE

CSA approved at 3500#/13.3 SLR

2300 - 3500 LBS. CAPACITY



## ELECTRIC BRAKE

Item	Part No.	Qty/Brk	Description
0	K23-026-00	1	LH Complete Brake Assembly (shown)
0	K23-027-00	1	RH Complete Brake Assembly
1	036-019-10	1	Backing Plate Assembly
2	047-019-05	1	LH Actuating Lever Arm
2	047-020-05	1	RH Actuating Lever Arm
3	005-067-00	1	Washer
4	027-005-00	3	Wire Clip
5	046-009-00	2	Retractor Spring
6	K71-047-00	1	Shoe & Lining Kit containing: 1 #040-017-00 Primary S&L 1 #040-021-00 Secondary S&L 2 #049-002-00 Shoe Hold Down Pin #8 2 #046-077-00 Shoe Hold Down Spring & Cup
7	043-004-00	1	Adjuster Assembly
8	046-018-00	1	Adjusting Screw Spring
9	K71-104-00	1	Magnet Kit containing: 1 #042-097-01 Magnet (green wire) 1 #027-009-00 Magnet Clip 1 #046-080-00 Magnet Spring
10	046-007-00	1	Adjuster Slot Plug
11	046-016-00	1	Wire Grommet
12	007-041-00	4	Brake Mounting Bolt - Press-in
*13	006-017-00	4	Brake Mounting Nut

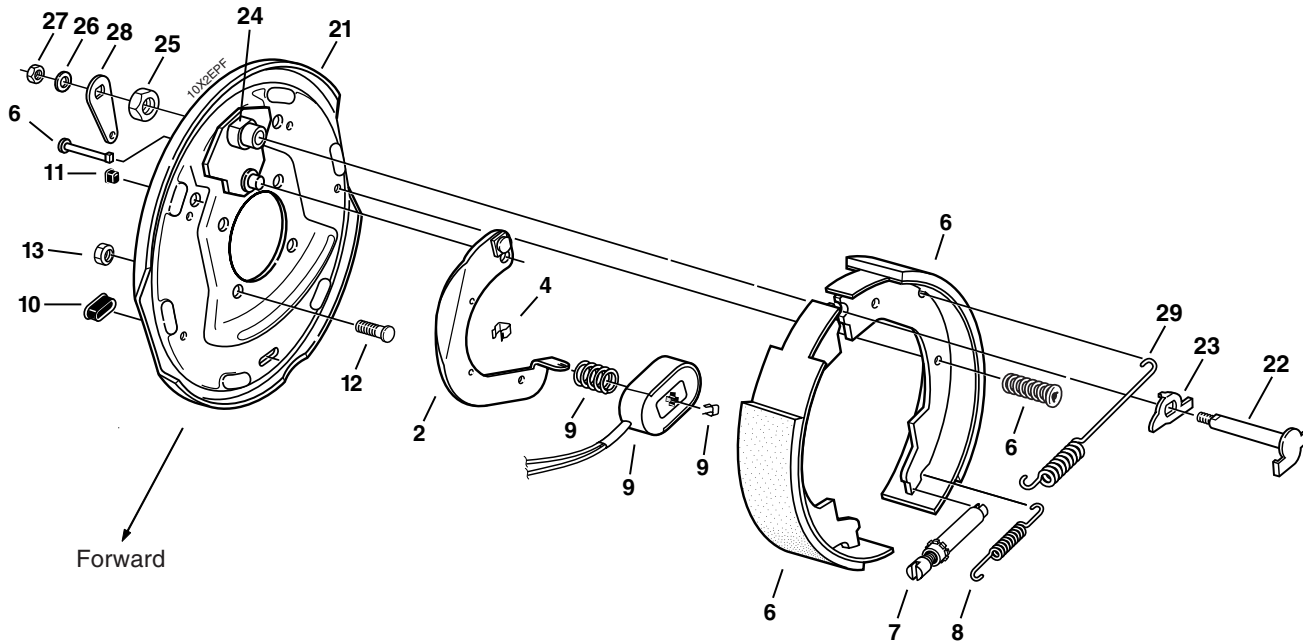
\* Not included with complete brake assembly. Items sold separately.

DEXTER AXLE

# 10x2 1/4" ELECTRIC BRAKE WITH PARKING FEATURE

CSA approved at 3500#/13.3 SLR

2300 - 3500 LBS. CAPACITY



## ELECTRIC PARKING BRAKE

Item	Part No.	Qty/Brk	Description
0	K23-086-00	1	LH Complete Brake Assembly (shown)
0	K23-087-00	1	RH Complete Brake Assembly
2	047-019-05	1	LH Actuating Lever Arm
2	047-020-05	1	RH Actuating Lever Arm
4	027-005-00	3	Wire Clip
6	K71-047-00	1	Shoe & Lining Kit containing: 1 #040-017-00 Primary S&L 1 #040-021-00 Secondary S&L 2 #049-002-00 Shoe Hold Down Pin #8 2 #046-077-00 Shoe Hold Down Spring & Cup
7	043-004-00	1	Adjuster Assembly
8	046-018-00	1	Adjusting Screw Spring
9	K71-104-00	1	Magnet Kit containing: 1 #042-097-01 Magnet (green wire) 1 #027-009-00 Magnet Clip 1 #046-080-00 Magnet Spring
10	046-007-00	1	Adjuster Slot Plug
11	046-016-00	1	Wire Grommet
12	007-041-00	4	Brake Mounting Bolt - Press-in
*13	006-017-00	4	Brake Mounting Nut
21	036-019-07	1	LH Backing Plate Assembly (includes items #12, 22-28)
21	036-019-08	1	RH Backing Plate Assembly (includes items #12, 22-28)
22	039-025-00	1	LH Pivot Pin & Cam Sub-Assembly
22	039-026-00	1	RH Pivot Pin & Cam Sub-Assembly
23	039-048-00	1	LH Actuating Cam
23	039-049-00	1	RH Actuating Cam
24	038-047-00	1	Anchor Post & Bushing Assembly
25	006-047-00	1	Anchor Post Locknut
26	005-041-00	1	Washer
27	006-011-00	1	Pivot Pin Locknut
28	047-070-00	1	Actuating Lever
29	046-056-00	1	Retractor Spring

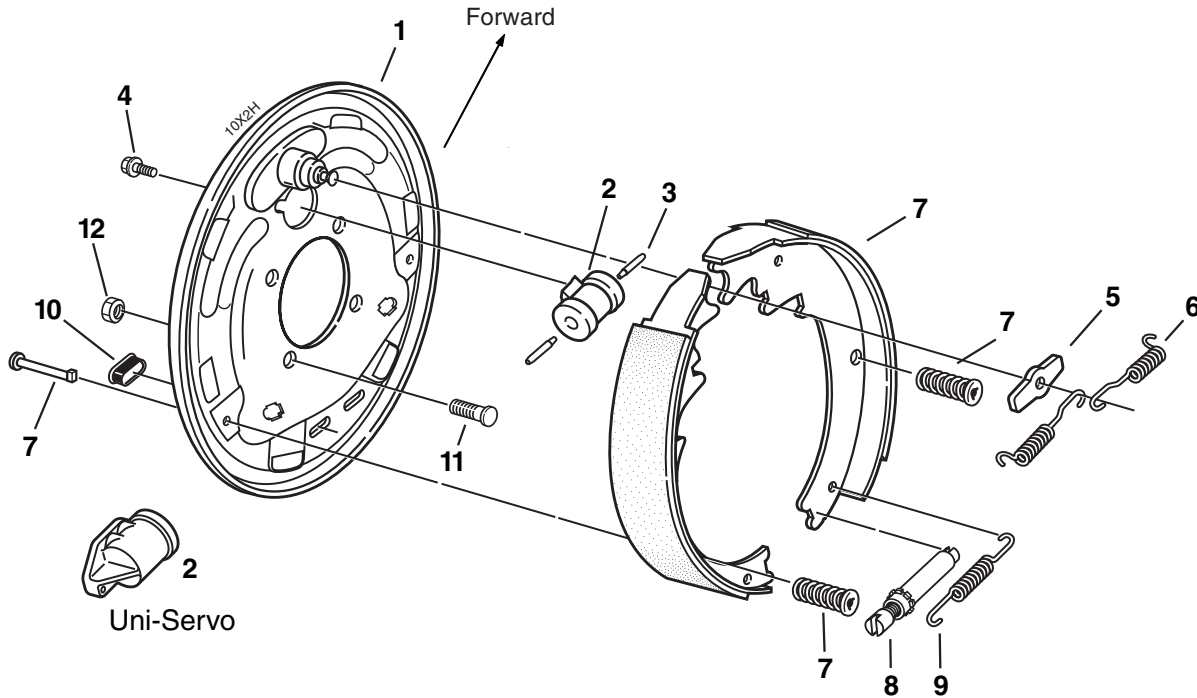
\* Not included with complete brake assembly. Item sold separately.

DEXTER AXLE

# 10x2 1/4" HYDRAULIC BRAKE

CSA approved at 3500#/14.0 SLR; Uni-Servo

**2300 - 3500 LBS. CAPACITY**



Note: Uni-servo brakes to be used with surge actuator

## HYDRAULIC BRAKE

Item	Part No.	Qty/Brake	Description
0	K23-310-00	1	LH Brake Assembly Complete-DS
0	K23-311-00	1	RH Brake Assembly Complete-DS (shown)
0	K23-312-00	1	LH Brake Assembly Complete-US
0	K23-313-00	1	RH Brake Assembly Complete-US (shown)
1	036-094-03	1	Backing Plate Assembly (includes item #11)
2	054-062-00	1	LH Brake Cylinder Duo-Servo
2	054-063-00	1	RH Brake Cylinder Duo-Servo
2	054-064-00	1	LH Brake Cylinder Uni-Servo
2	054-065-00	1	RH Brake Cylinder Uni-Servo
3	054-060-00	1 or 2	Cylinder Push Rod US (1) DS (2)
4	087-001-00	2	Sems (Screw & Washer Assembly)
5	005-113-00	1	Anchor Post Washer
6	046-009-00	2	Retractor Spring
7	K71-267-00	1	Shoe & Lining Kit containing: 1 #040-210-00 Primary Shoe & Lining 1 #040-211-00 Secondary Shoe & Lining 2 #046-077-00 Shoe Hold Down Spring & Cup 2 #049-002-00 Shoe Hold Down Pin #8
8	043-004-00	1	Adjuster Assembly
9	046-018-00	1	Adjusting Screw Spring
10	046-007-00	1	Adjuster Slot Plug
11	007-041-00	4	Brake Mounting Bolt - Press-in
*12	006-017-00	4	Brake Mounting Nut
ns	054-089-00	1	Bleeder Screw (included with item #2)

ns - not shown

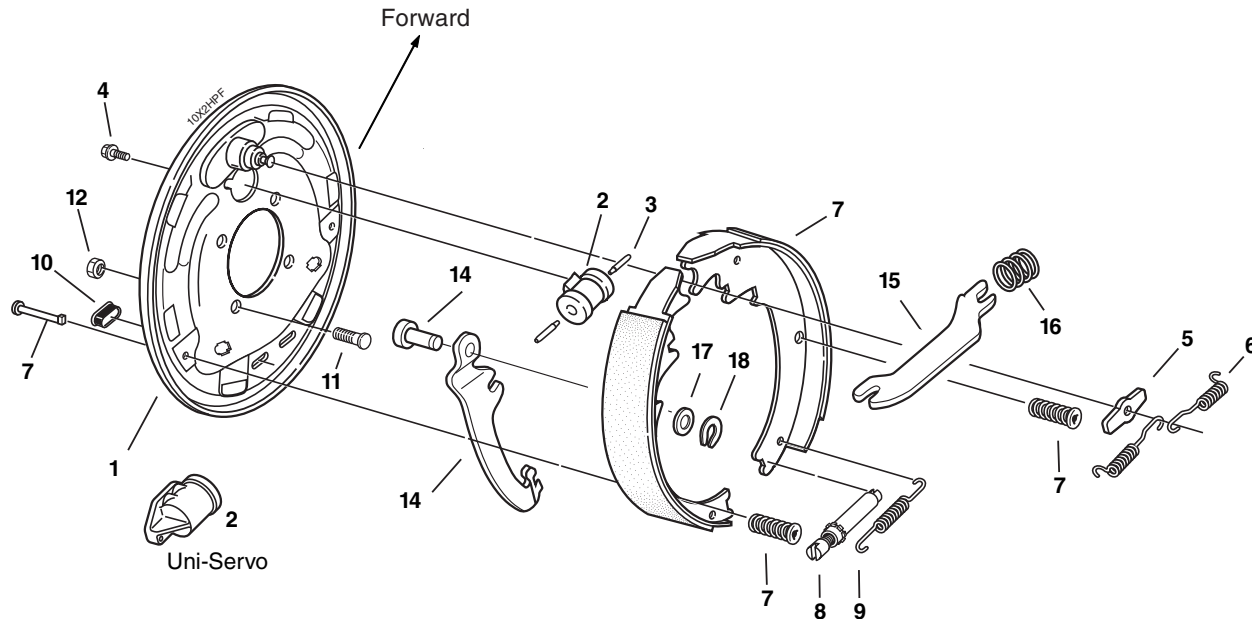
\*Not included with complete brake assembly. Item sold separately.

**DEXTER AXLE**

# 10x2 1/4" HYDRAULIC BRAKE WITH PARKING FEATURE

CSA approved at 3500#/14.0 SLR;Uni-Servo

2300 - 3500 LBS. CAPACITY



Note: Uni-servo brakes to be used with surge actuator

## HYDRAULIC PARKING BRAKE

Item	Part No.	Qty/Brk	Description
0	K23-330-00	1	LH Brake Assembly Complete-w/park-US
0	K23-331-00	1	RH Brake Assembly Complete-w/park-US (shown)
0	K23-400-00	1	LH Brake Assembly Complete-w/park-DS
0	K23-401-00	1	RH Brake Assembly Complete-w/park-DS (shown)
1	036-094-03	1	Backing Plate Assembly (includes item #11)
2	054-064-00	1	LH Brake Cylinder Uni-Servo
2	054-065-00	1	RH Brake Cylinder Uni-Servo
2	054-062-00	1	LH Brake Cylinder Duo-Servo
2	054-063-00	1	RH Brake Cylinder Duo-Servo
3	054-060-00	1 or 2	Cylinder Push Rod US (1) DS (2)
4	087-001-00	2	Sems (Screw & Washer Assembly)
5	005-113-00	1	Anchor Post Washer
6	046-009-00	2	Retractor Spring
7	K71-267-00	1	Shoe & Lining Kit containing: 1 #040-210-00 Primary Shoe & Lining 1 #040-211-00 Secondary Shoe & Lining 2 #046-077-00 Shoe Hold Down Spring & Cup 2 #049-002-00 Shoe Hold Down Pin #8
8	043-004-00	1	Adjuster Assembly
9	046-018-00	1	Adjusting Screw Spring
10	046-007-00	1	Adjuster Slot Plug
11	007-041-00	4	Brake Mounting Bolt
*12	006-017-00	4	Brake Mounting Nut
14	047-116-01	1	LH Parking Lever & Pin Assembly
14	047-117-01	1	RH Parking Lever & Pin Assembly
15	047-118-00	1	Parking Strut
16	046-103-00	1	Parking Strut Spring
17	005-112-00	1	Spring Tension Washer
18	069-055-00	1	Retainer
ns	054-089-00	1	Bleeder Screw (included with item #2)
ns	071-514-00	1	Park Brake Cable

ns - not shown

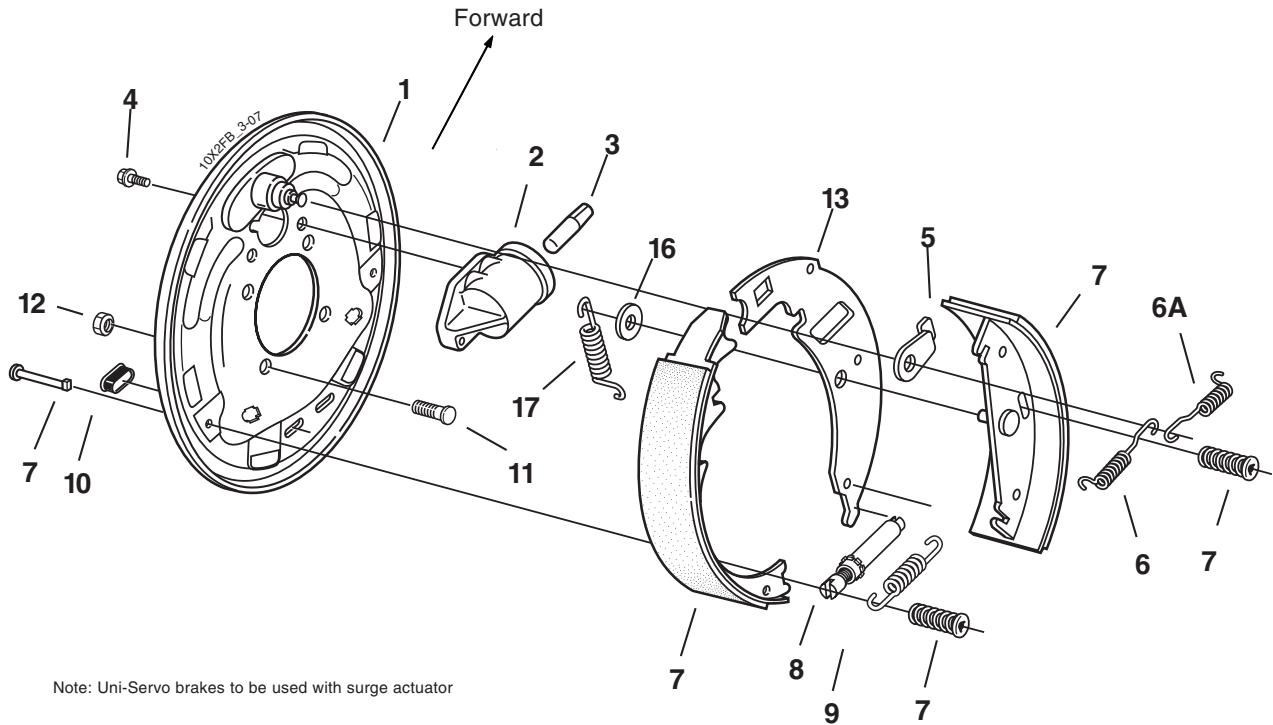
\*Not included with complete brake assembly. Item sold separately.

DEXTER AXLE

# 10x2 1/4" HYDRAULIC BRAKE FREE BACKING

CSA approved at 3500#/14.0 SLR; Uni-Servo

2300 - 3500 LBS. CAPACITY



Note: Uni-Servo brakes to be used with surge actuator

## HYDRAULIC FREE BACKING BRAKE

Item	Part No.	Qty/Brk	Description
0	K23-344-00	1	LH Brake Assembly Complete-FB
0	K23-345-00	1	RH Brake Assembly Complete-FB (shown)
1	036-094-03	1	Backing Plate Assembly (incl. item #11)
2	054-064-00	1	LH Brake Cylinder Uni-Servo
2	054-065-00	1	RH Brake Cylinder Uni-Servo
3	054-060-00	1	Cylinder Push Rod
4	087-001-00	2	Sems (screw & washer assembly)
5	037-069-02	1	Travel Link
6	046-009-00	1	Retractor Spring
6A	046-107-01	1	Shoe Lever Return Spring
7	K71-393-00	1	Shoe & Lining Kit containing: 1 #040-291-00 Primary Shoe & Lining 1 #040-211-00 Secondary Shoe & Lining 2 #046-077-00 Shoe Hold Down Spring & Cup 2 #049-002-00 Shoe Hold Down Pin #8
8	043-004-00	1	Adjuster Assembly
9	046-083-00	1	Adjusting Screw Spring
10	046-007-00	1	Adjuster Slot Plug
11	007-041-00	4	Brake Mounting Bolt
*12	006-017-00	4	Brake Mounting Nut
13	040-240-02	1	Shoe Lever
16	005-064-00	1	Washer
17	046-108-01	1	Primary Shoe Return
ns	054-089-00	1	Bleeder Screw (included with item #2)
ns	071-514-00	1	Park Brake Cable

ns - not shown

\* Not included with complete brake assembly. Items sold separately.

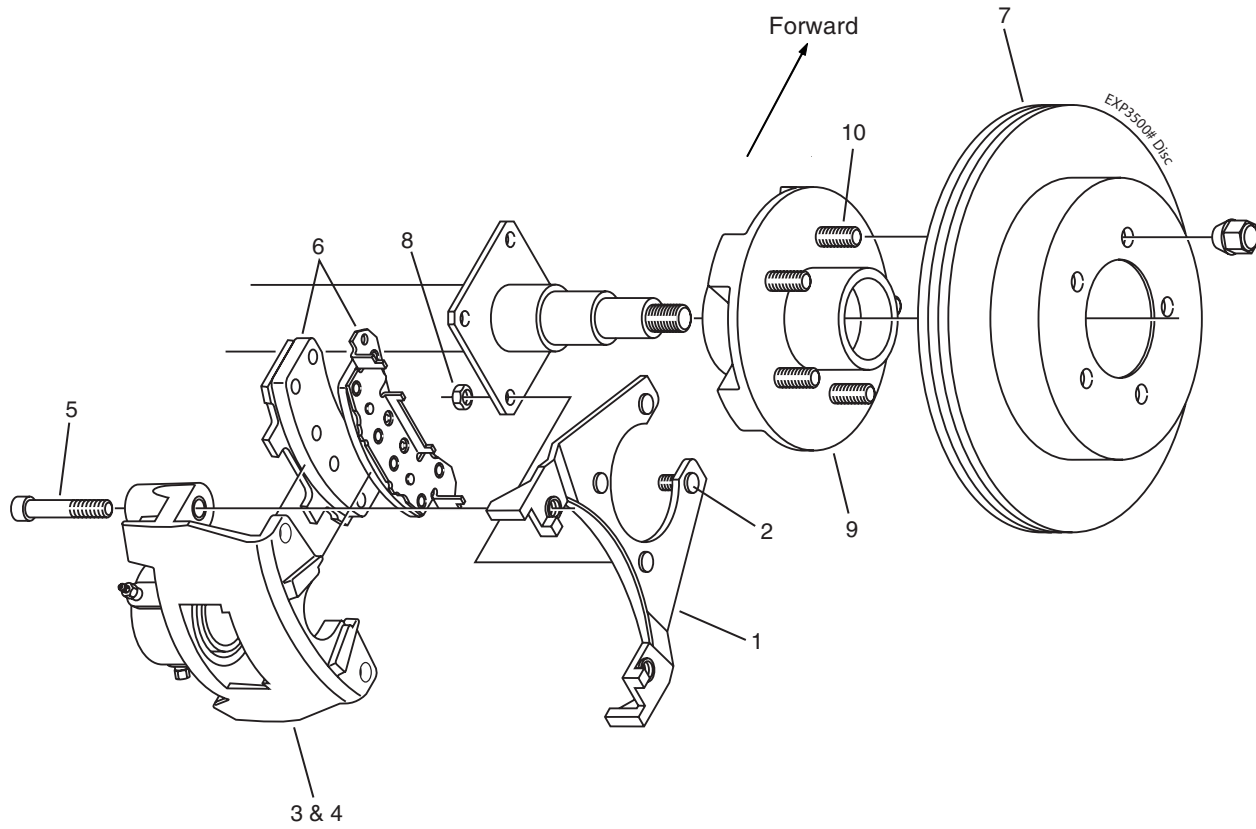
## HYDRAULIC FREE BACKING BRAKE CORROSION RESISTANT

Item	Part No.	Qty/Brk	Description
0	K23-344-01	1	LH Brake Assembly Complete-FB
0	K23-345-01	1	RH Brake Assembly Complete-FB
1	036-094-04	1	Backing Plate Assembly (incl. item #11)
2	054-064-01	1	LH Brake Cylinder Uni-Servo
2	054-065-01	1	RH Brake Cylinder Uni-Servo
3	054-060-00	1	Cylinder Push Rod
4	087-001-00	2	Sems (screw & washer assembly)
5	037-069-02	1	Travel Link
6	046-009-01	1	Retractor Spring
6A	046-107-03	1	Shoe Lever Return Spring
7	K71-393-00	1	Shoe & Lining Kit containing: 1 #040-291-00 Primary Shoe & Lining 1 #040-211-00 Secondary Shoe & Lining 2 #046-077-00 Shoe Hold Down Spring & Cup 2 #049-002-00 Shoe Hold Down Pin #8
8	043-004-02	1	Adjuster Assembly
9	046-083-01	1	Adjusting Screw Spring
10	046-007-00	1	Adjuster Slot Plug
11	007-041-00	4	Brake Mounting Bolt
*12	006-017-00	4	Brake Mounting Nut
13	040-240-02	1	Shoe Lever
16	005-064-00	1	Washer
17	046-108-03	1	Primary Shoe Return Spring
ns	054-089-00	1	Bleeder Screw (included with item #2)

DEXTER AXLE

# DISC BRAKE FOR 3,500 LB. AXLES

**2300 - 3500 LBS. CAPACITY**



## DISC BRAKE 3500#

Item	Part No.	Qty/Brk	Description
1	090-004-01	1	Anchor Yoke Assembly (incl. item #2)
2	007-041-00	4	Brake Mounting Bolt - Press-in
3	K71-624-00	1	LH Caliper Assembly Kit (incl. items #5, 6)
4	K71-625-00	1	RH Caliper Assembly Kit (incl. items #5, 6) (shown)
5	007-256-00	2	Caliper Mounting Bolt
6	K71-623-00	1	Brake Pad Kit (axle set)
7	K71-626-00	1	Rotor Kit
8	006-017-00	4	Yoke Mounting Nut
ns	054-097-00	1	Bleed Screw & Adapter (service part only)

## DISC BRAKE HUBS & STUDS

Item	Part No.	Qty/Brk	Description
9	008-248-22	1	1/2" Stud 5 on 4.50
10	007-150-00	5	1/2-20 x 2.09" Wheel Stud
ns	054-095-00	1	Bleeder Screw (included with items #3, 4)

ns - not shown

**DEXTER AXLE**



## AXLE TYPES

### 4000-5200 lbs. capacity

- Complete service manual
- Precision machined steel spindles and integral cast iron hub/drums
- Press-in wheel studs
- 12 x 2" CSA approved electric brakes
- 12 x 2" hydraulic brakes
- Electric and hydraulic brakes are available with and without parking feature
- Hydraulic free backing brakes available
- Inner wiring system for easier installation and protection of brake wiring
- Standard grease lubrication; E-Z Lube® or Nev-R-Lube™ option

### D52 LEAF SPRING



- High strength 3" diameter tube
- Straight or Drop spindles (4" drop only)
- High quality alloy steel springs in a variety of capacities
- Single, tandem or triple axle assemblies with equalized suspensions
- Slipper spring or double eye leaf spring suspension
- Optional hanger and attaching parts kits available
- Durable, wear-resistant components
- 2 year limited warranty



- Totally rubber-cushioned for smooth, quiet independent ride
- Easy installation with less maintenance
- Less transfer of road shock which insulates cargo from road shocks and vibration
- Rubber cords compounded for maximum dependability and durability
- Load-carrying cross member
- Self-damping action
- Independent wheel suspension system
- 5 year limited warranty on suspension system
- Low profile for maximum road clearance
- Various starting angles to control trailer height
- High and low profile brackets with optional mounting brackets available

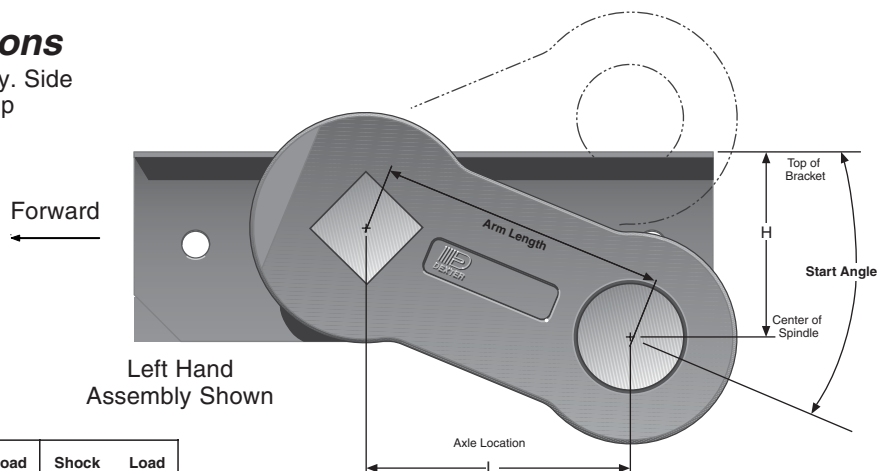
- Rubber cushioning eliminates metal-to-metal contact
- Shock absorption provided by the natural hysteresis of rubber
- Single or tandem axle assemblies
- Durable, wear-resistant components

### CAUTION:

*Triple axle assemblies are NOT recommended for Torflex® axles.*

## 11 Articulation Dimensions

Dimensions are for top mount only. Side mount is .25 higher. Allow 3" bump clearance from full load.



Start Angle	Bracket Profile	No Load		Full Load		Shock Load	
		H	L	H	L	H	L
45° down	Low	6.01	4.24	4.06	5.54	3.06	5.86
	High	6.76	4.24	4.81	5.54	3.81	5.86
22.5° down	Low	4.06	5.54	1.77	6.00	0.72	5.91
	High	4.81	5.54	2.52	6.00	1.47	5.91
10° down	Low	2.81	5.91	0.47	5.86	-0.53	5.54
	High	3.56	5.91	1.22	5.86	0.22	5.54
0°	Low	1.77	6.00	-0.53	5.54	-1.46	5.06
	High	2.52	6.00	0.22	5.54	-0.71	5.06
10° up	Low	0.72	5.91	-1.46	5.06	-2.29	4.42
	High	1.47	5.91	-0.71	5.06	-1.54	4.42
22.5° up	Low	-0.53	5.54	-2.48	4.24	-3.15	3.44
	High	0.22	5.54	-1.73	4.24	-2.40	3.44

### #11 OVERHANG PER SIDE

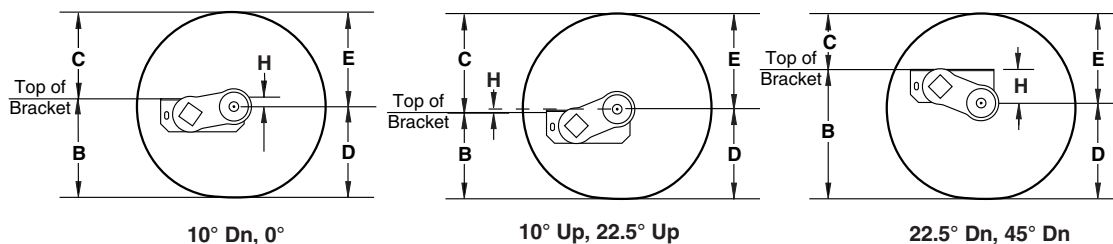
Spindle	Min.	Disc*	Max.
Short	7.00"	7.50"	10.22"
Standard	7.47"	7.50"	10.22"

\* Minimum overhang with disc brakes

Note: Positive numbers in the H column indicate the spindle is BELOW the top of the bracket. Conversely, negative numbers are ABOVE the top of the bracket.

## 11 Full Load Dimensions

Dimensions are for low profile, top mount only. High profile brackets are .75" higher. Side mount is .25" higher. Allow 3" bump clearance from full load.

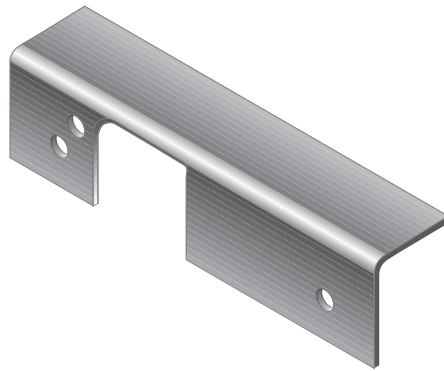
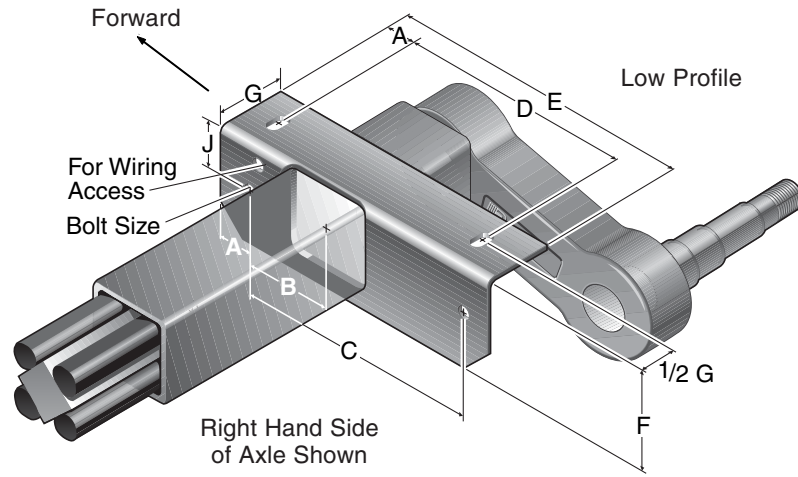


### START ANGLE

Tire	45° Down			22.5° Down			10° Down			0°			10° Up			22.5° Up			D	E
	H	B	C	H	B	C	H	B	C	H	B	C	H	B	C	H	B	C		
ST225/75R15	4.1	17.1	10.3	1.8	14.8	12.6	0.5	13.5	13.9	-0.5	12.5	14.9	-1.5	11.5	15.9	-2.5	10.5	16.9	13.0	14.4
LT235/85R16	4.1	18.4	11.3	1.8	16.1	13.6	0.5	14.8	14.9	-0.5	13.8	15.9	-1.5	12.8	16.9	-2.5	11.8	17.9	14.3	15.4
LT225/75R16	4.1	17.6	10.8	1.8	15.3	13.1	0.5	14.0	14.4	-0.5	13.0	15.4	-1.5	12.0	16.4	-2.5	11.0	17.4	13.5	14.9
8.75R16.5LT	4.1	17.9	10.7	1.8	15.6	13.0	0.5	14.3	14.3	-0.5	13.3	15.3	-1.5	12.3	16.3	-2.5	11.3	17.3	13.8	14.8

4000 - 6000 LBS. CAPACITY

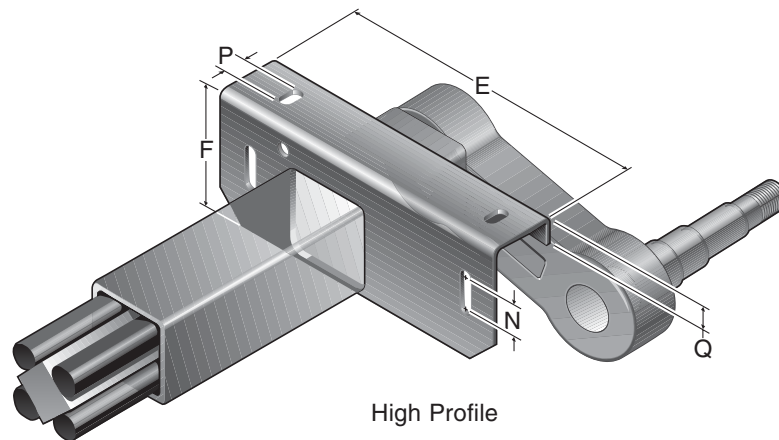
**11** Bracket Dimensions



Side Mount Hanger

**#11 BRACKET DIMENSIONS**

	Low	High
A	.75	1.25
B	3.50	3.50
C	9.50	9.50
D	9.00	9.00
E	11.00	12.00
F	3.91	4.66
G	2.50	2.50
J	1.83	1.83
N	----	1.03
P	----	1.00
Q	----	1.00
Bolt Size <sup>5</sup> / <sub>8</sub> " bolt		
Tube Size		
	3.03	3.03



DEXTER AXLE

# LEAF SPRING APPLICATION INFORMATION

## DOUBLE EYE SPRINGS

For standard 33" axle spacing  
**Single A/P-122-00**  
**Tandem A/P-233-00**  
**Triple A/P-335-00**  
 Spring Length

	21"	24"	26"
A	19.62	23.50	25.75
B	25.00	27.50	29.50
C	28.75	31.00	33.00
D	10.62	12.00	13.00
E	28.75	31.00	33.00

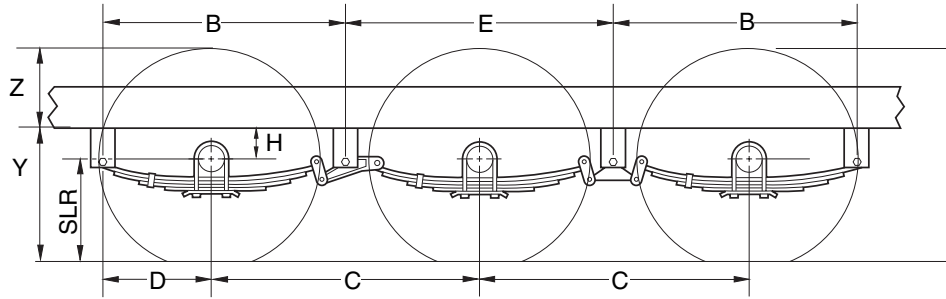
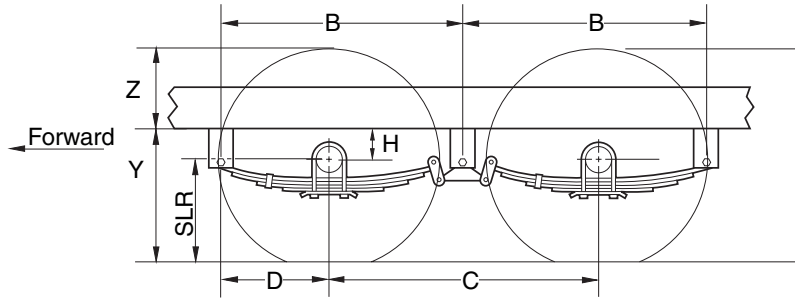
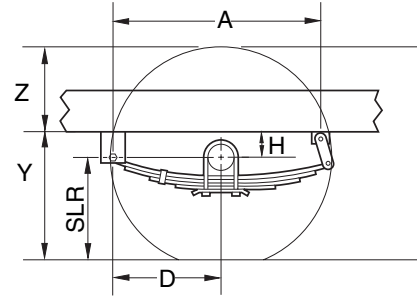
For optional 35" axle spacing  
**Tandem A/P-264-00**  
**Triple A/P-364-00**  
 Spring Length

	21"	24"	26"
B	26.00	28.50	30.50
C	30.80	33.00	35.00
D	10.62	12.00	13.00
E	30.80	33.00	35.00

## D52 OVERHANG PER SIDE

	Min.	Disc.*	Max.
Straight	6.63"	9.00"	9.50"
4" Drop-Short	7.87"	9.00"	9.50"
4" Drop	8.25"	9.00"	9.50"
Nev-R-Lube™	6.19"	9.00"	9.50"

\* Minimum overhang with disc brakes



## DOUBLE EYE AXLE ASSEMBLIES

### Hanger Kits

Part No.	Description	Ht.	Quantity Per Kit				
			HGR-104-00	HGR-105-00	HGR-248-00	HGR-249-00	HGR-348-00
028-005-00	Hanger	3.25"	2	----	4	2	4
028-006-00	Front Hanger	1.44"	----	2	----	----	----
029-008-00	Front Hanger	2.06"	----	----	----	4	----
029-031-00	Center Hanger	3.62"	----	----	2	----	4
030-020-00	Rear Hanger	.91"	2	2	----	----	----

### Attaching Parts Kit

Part No.	Description	A/P-122-00	A/P-233-00	A/P-264-00†	A/P-335-00	A/P-364-00†
006-092-01	Flange Locknut	6	14	14	22	22
007-126-00	Shackle Bolt	2	6	6	10	10
013-104-02	Equalizer	----	2	----	2	----
013-105-02	Equalizer	----	----	----	2	----
013-122-02	Equalizer	----	----	2	----	2
013-126-02	Equalizer	----	----	----	----	2
018-011-00	Shackle Link	----	4	4	6	6
018-012-00	Shackle Link, Long	2	----	----	----	----
018-020-00	Shackle Link Assy.	----	4	4	6	6
018-021-00	Shackle Link Assy., Long	2	----	----	----	----

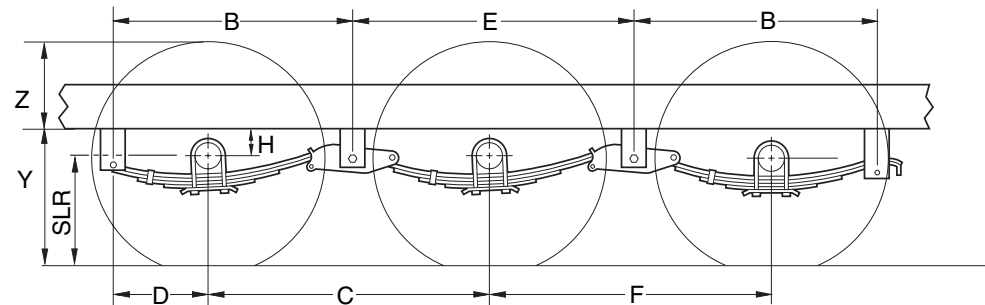
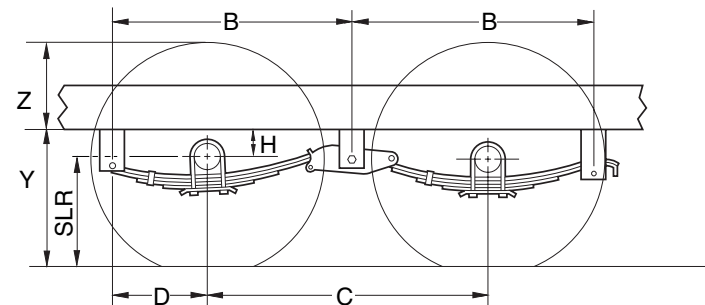
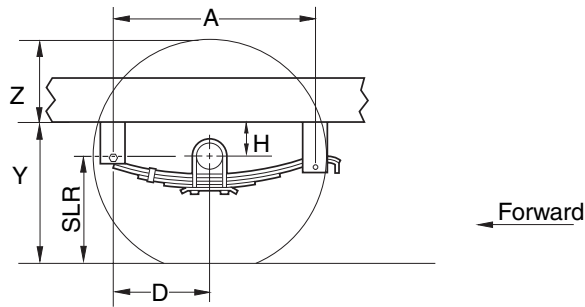
† For 35" axle spacing with 26" springs

4000 - 6000 LBS. CAPACITY

DEXTER AXLE

# LEAF SPRING APPLICATION INFORMATION

**4000 - 6000 LBS. CAPACITY**



## SLIPPER SPRINGS

	Single	Tandem		Triple	
	A/P-103-00	A/P-202-00§	A/P-216-00‡	A/P-302-00§	A/P-316-00‡
A	24.0	----	----	----	----
B	----	28.8	30.4	28.8	30.4
C	----	33.5	36.0	33.5	36.0
D	11.5	11.5	11.5	11.5	11.5
E	----	----	----	33.0	35.0
F	----	----	----	33.0	35.0

Note: All 2" Wide Slipper Springs  
 § For 33.5" axle spacing      ‡ For 36" axle spacing

A, B, E - Hanger Spacing  
 C - Axle Spacing  
 D - Axle Location  
 H - Center of Spindle  
 Y - Frame Height  
 Z - Top of Tire to Bottom of Frame  
 SLR - Static Load Radius  
 Contact your local sales engineer or distributor to run ProSpec™ to determine H, Y, Z, SLR.

## SLIPPER SPRING AXLE ASSEMBLIES

Hanger Kits			Quantity Per Kit		
Part No.	Description	Ht.	HGR-110-00	HGR-202-00	HGR-302-00
028-001-00	Front Hanger	4.25"	2	2	2
029-001-00	Center Hanger	3.50"	----	2	4
030-028-00	Rear Hanger	4.00"	2	2	2

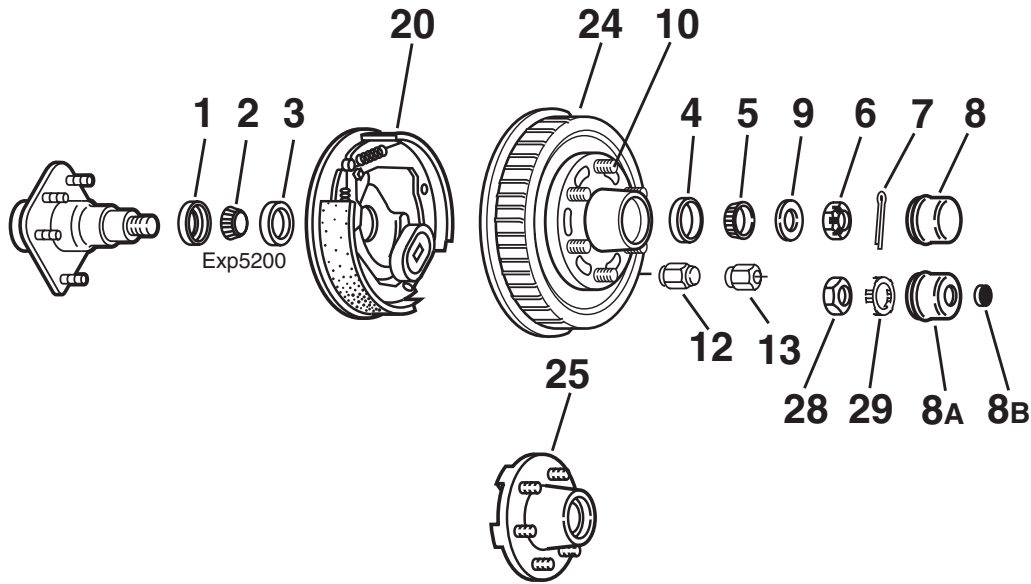
  

Attaching Parts Kit		A/P-103-00	A/P-202-00§	A/P-216-00‡	A/P-302-00§	A/P-316-00‡
Part No.	Description					
006-007-01	9/16"-18 Locknut	2	4	4	6	6
006-011-00	Keeper Nut	2	4	4	6	6
006-111-00	Equalizer Nut	----	2	2	4	4
007-001-01	Equalizer Bolt	----	2	2	4	4
007-007-00	Keeper Bolt	2	4	4	6	6
007-017-00	Spring Eye Bolt	2	4	4	6	6
013-004-00	Equalizer	----	2	----	4	----
013-044-01	Equalizer	----	----	2	----	4

§ For 33.5" axle spacing  
 ‡ For 36" axle spacing

Some combinations of hangers and spring mounting may result in insufficient bump clearance. For additional Hanger kits, AP kits or other tires, refer to pages 85-87.

**DEXTER AXLE**



## GREASE LUBE PARTS

Item	Part No.	Description
1	010-036-00	Grease Seal, E-Z Lube® Seal
	010-063-00	Oil Seal
	010-054-00	2.250" Grease Seal
2	031-030-02	25580 Inner Bearing Cone
3	031-030-01	25520 Inner Bearing Cup
4	031-032-01	LM67010 Outer Bearing Cup (for 5200#)
5	031-032-02	LM67048 Outer Bearing Cone (for 5200#)
4	031-029-01	15245 Outer Bearing Cup (for 6000#)
5	031-029-02	15123 Outer Bearing Cone (for 6000#)
6	006-001-00	Spindle Nut
7	019-002-00	Cotter Pin (not used w/E-Z Lube®)
8	021-001-00	Grease Cap
8A	021-042-01	Grease Cap for E-Z Lube®
8B	085-001-00	Rubber Plug for E-Z Lube®
9	005-023-00	Spindle Washer
28	006-191-00	Special Jam Nut for E-Z Lube® (after 2002)
29	006-190-00	Spindle Nut Retainer for E-Z Lube® (after 2002)

## 12 X 2 BRAKES

Item	Part No.	Description
20	K23-105-00/K23-106-00	LH/RH DXQ Electric
ns	K23-112-00/K23-113-00	LH/RH DXQ Electric w/park
ns	K23-326-00/K23-327-00	LH/RH Electric 6K CSA
ns	K23-328-00/K23-329-00	LH/RH Electric 6K CSA w/park
ns	K23-324-00/K23-325-00	LH/RH Hyd. Uni-servo
ns	K23-320-00/K23-321-00	LH/RH Hyd. Uni-servo w/park
ns	K23-322-00/K23-323-00	LH/RH Hyd. Duo-servo
ns	K23-318-00/K23-319-00	LH/RH Hyd. Duo-servo w/park
ns	K23-342-00/K23-343-00	LH/RH Hyd. Free Backing
ns	K23-340-00/K23-341-00	LH/RH Hyd. Free Backing w/park
ns	K23-342-01/K23-343-01	LH/RH Hyd. FB Corrosion Resistant
ns	K23-340-01/K23-341-01	LH/RH Hyd. FB Corrosion Resistant w/park

ns - not shown

## HUBS

Item	Part No.	Description	Bolt Circle
<i>Hubs and Drums</i>			
24	008-201-05	½" Stud for 5200#	6 on 5.50
24	008-201-09	½" Stud 15123 bearing for 6000#	6 on 5.50
<i>Plain Hubs</i>			
25	008-213-05	½" Stud for 5200#	6 on 5.50
25	008-213-09	½" Stud 15123 bearing for 6000#	6 on 5.50

## STUDS & WHEEL NUTS

Item	Part No.	Description
10	007-122-00	½-20 x 1.84 Long Press-in Stud* (hubs prior to 1/04)
10	007-262-00	½-20 x 2.50 Long Press-in Stud* (hubs after 1/04)
12	006-098-00	½-20 Stainless Steel Capped Wheel Nuts
13	006-080-00	½-20 60° Cone Nut

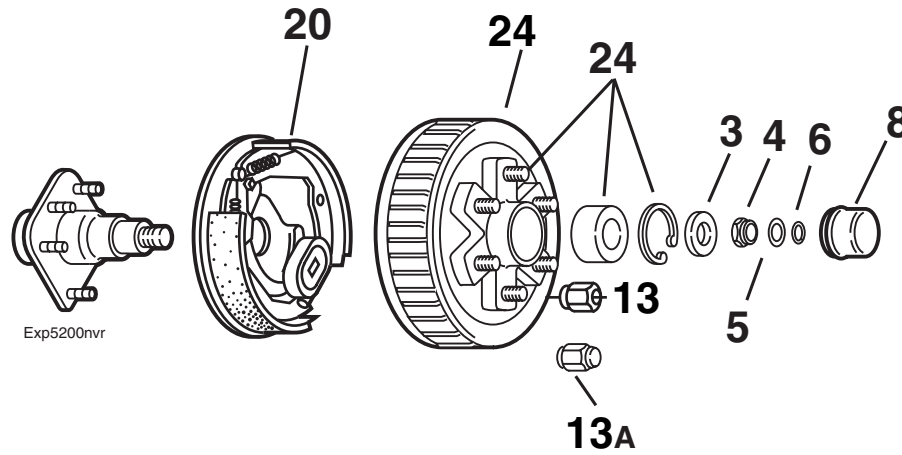
\* Stud length measured under head to end of stud.

Note: 8 on 6.5 hubs are available on these axles. See section in 5500-7000 lbs. capacity.



# 655 NEV-R-LUBE™ HUB GROUP

4000 - 6000 LBS. CAPACITY



## NEV-R-LUBE™ PARTS 42MM & 50MM

Item	Part No.	Description
3	005-147-01	Spindle Washer, 42mm
4	006-183-00	Spindle Nut
5	092-002-00	Washer, Torque Label
6	069-096-00	Snap Ring
8	021-085-00	Hub Cap, 42mm

## HUBS WITH BEARING AND WHEEL STUDS

Item	Part No.	Description	Bolt Circle
24	008-388-80	Hub & Drum includes: 007-122-00 ½-20 Press-in Studs 031-073-03 42mm Bearing Cartridge 069-095-00 Bearing Retainer	6 on 5.50

## 12 X 2 BRAKES

Item	Part No.	Description
20	K23-105-00/K23-106-00	LH/RH DXQ Electric, 6K
ns	K23-112-00/K23-113-00	LH/RH DXQ Electric w/park, 6K
ns	K23-324-00/K23-325-00	LH/RH Hyd. Uni-servo, 5.2K
ns	K23-320-00/K23-321-00	LH/RH Hyd. Uni-servo w/park, 5.2K
ns	K23-322-00/K23-323-00	LH/RH Hyd. Duo-servo, 5.2K
ns	K23-318-00/K23-319-00	LH/RH Hyd. Duo-servo w/park, 5.2K
ns	K23-338-00/K23-339-00	LH/RH Hyd. Uni-servo, 7K
ns	K23-334-00/K23-335-00	LH/RH Hyd. Uni-servo w/park, 7K
ns	K23-336-00/K23-337-00	LH/RH Hyd. Duo-servo, 7K
ns	K23-332-00/K23-333-00	LH/RH Hyd. Duo-servo w/park, 7K
ns	K23-342-00/K23-343-00	LH/RH Hyd. Free Backing, 7K
ns	K23-340-00/K23-341-00	LH/RH Hyd. Free Backing w/park, 7K

ns - not shown

## WHEEL NUTS

Item	Part No.	Description
13A	006-098-00	½-20 Stainless Steel Capped Wheel Nut
13	006-080-00	½-20 60° Cone Nut

Note: 8 on 6.5 Nev-R-Lube™ hubs are available on these axles. See section in 5500-7000 lbs. capacity.

DEXTER AXLE



### ***Nev-R-Lube Features***

- No Need to repack the bearings
- No more inner and outer bearings
- Lower maintenance cost
- Pre-lubricated at the bearing factory
- Resistant to contamination
- Sealed for life, no bearing maintenance
- Increased durability and reliability
- No replacing seals when checking brakes
- Pre-set adjustment allows for easy installation
- Human error is virtually eliminated in bearing adjustment
- Five-year or 100,000 mile limited warranty



### ***What is Nev-R-Lube?***

Dexter's Nev-R-Lube™ bearings are comprised of opposed tapered roller bearing cones sealed inside of a precision ground, one piece double cup arrangement. These bearings are designed with a small amount of axial end play. The end play is essential to the longevity of the bearing's service life.

### ***Nev-R-Lube Availability***

42mm Cartridge: For use on D52 and D60 leaf spring (straight spindles only) axles and #11 & #12 Torflex® axles up to 6,000 lbs. These axles are equipped with 6 on 5.50" bolt circle hub-drums and 12" x 2" brakes. Use only zero offset wheels on these axles.

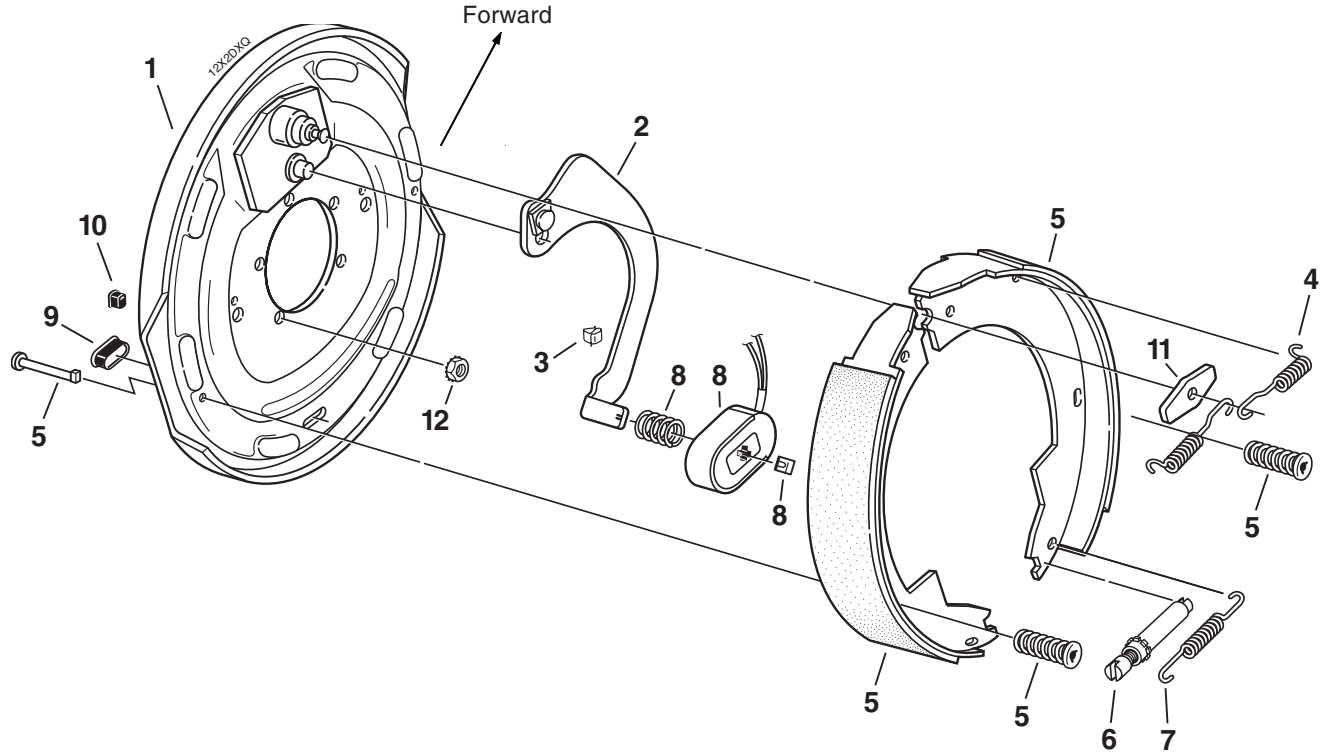
50mm Cartridge: For use on D70 and D80 leaf spring axles and #12 & #13 Torflex® axles up to 8,000 lbs. These axles are equipped with 8 on 6.50" bolt circle hub-drums and 12" x 2" or 12-1/4" x 3-3/8" brakes. Can be used with zero to 1/2" inset wheels at 7,000 lbs. ratings. Zero offset or .19 inset only at 8,000 lbs. capacity.



**Demand Better. Demand Dexter.**

# 12x2" ELECTRIC BRAKE

4000 - 6000 LBS. CAPACITY



## DXQ ELECTRIC BRAKE 6000# (CSA 5200#)

Item	Part No.	Qty/Brk	Description
0	K23-105-00	1	LH Complete Brake Assembly
0	K23-106-00	1	RH Complete Brake Assembly (shown)
1	036-089-05	1	Backing Plate Assembly
2	047-107-05	1	LH Actuating Lever Arm Assembly
2	047-108-05	1	RH Actuating Lever Arm Assembly
3	027-005-00	2	Wire Clip
4	046-009-00	2	Retractor Spring
5	K71-048-00	1	Shoe and Lining Kit containing: 1 #040-044-00 Primary S&L 1 #040-045-00 Secondary S&L 2 #049-011-00 Shoe Hold Down Pin #2 2 #046-077-00 Shoe Hold Down Spring & Cup
6	043-004-00	1	Adjuster Assembly
7	046-018-00	1	Adjusting Screw Spring
8	K71-105-00	1	Magnet Kit containing: 1 #042-099-01 Magnet (white wire) 1 #027-009-00 Magnet Clip 1 #046-080-00 Magnet Spring
9	046-007-00	1	Adjuster Slot Plug
10	046-016-00	1	Wire Grommet
11	005-067-00	1	Anchor Post Washer
*12	006-193-00	5	Nut Washer Assembly

\* Not included with complete brake assembly. Items sold separately.

## ELECTRIC BRAKE 6000# (CSA 6000#)

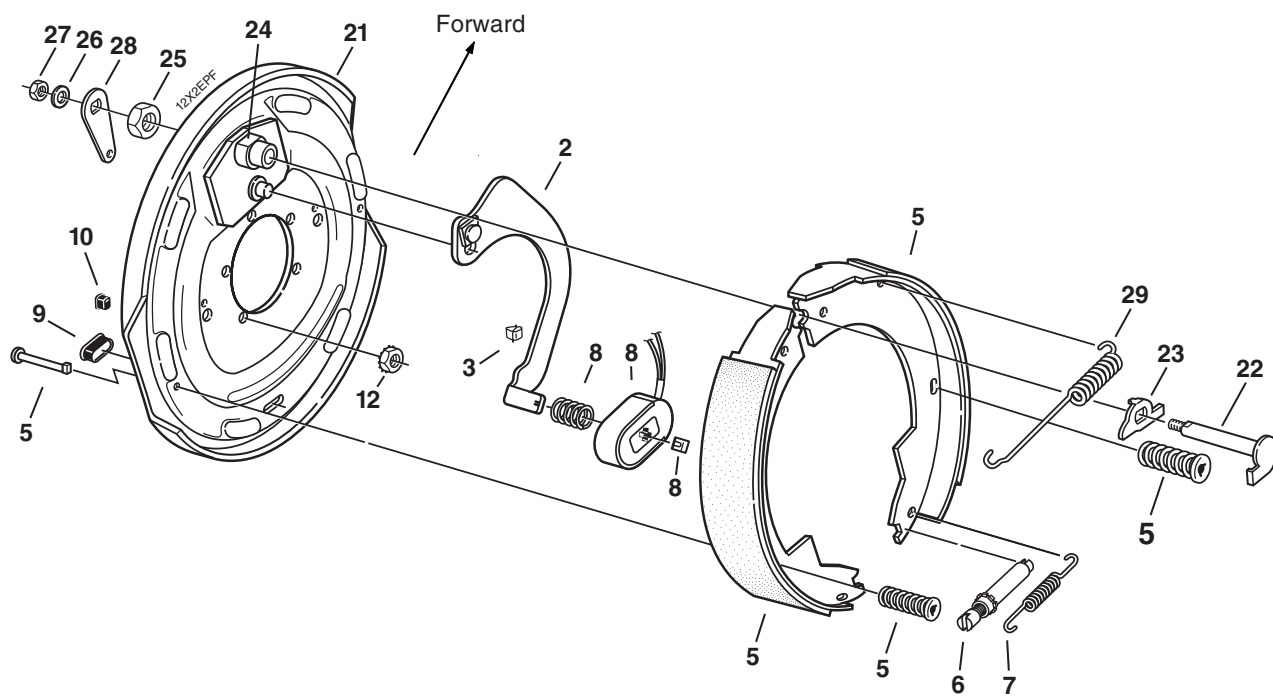
Item	Part No.	Qty/Brk	Description
0	K23-326-00	1	LH Complete Brake Assembly
0	K23-327-00	1	RH Complete Brake Assembly
1	036-089-05	1	Backing Plate Assembly
2	047-107-05	1	LH Actuating Lever Arm Assembly
2	047-108-05	1	RH Actuating Lever Arm Assembly
3	027-005-00	2	Wire Clip
4	046-009-00	2	Retractor Spring
5	K71-127-00	1	Shoe and Lining Kit containing: 1 #040-215-00 Primary S&L 1 #040-216-00 Secondary S&L 2 #049-011-00 Shoe Hold Down Pin #2 2 #046-077-00 Shoe Hold Down Spring & Cup
6	043-004-00	1	Adjuster Assembly
7	046-018-00	1	Adjusting Screw Spring
8	K71-105-00	1	Magnet Kit containing: 1 #042-099-01 Magnet (white wire) 1 #027-009-00 Magnet Clip 1 #046-080-00 Magnet Spring
9	046-007-00	1	Adjuster Slot Plug
10	046-016-00	1	Wire Grommet
11	005-067-00	1	Anchor Post Washer
*12	006-193-00	5	Nut Washer Assembly

CSA approved at 6000#/14.2 SLR

DEXTER AXLE

# 12x2" ELECTRIC BRAKE WITH PARKING FEATURE

**4000 - 6000 LBS. CAPACITY**



## DXQ ELECTRIC PARKING BRAKE 6000# (CSA 5200#)

Item	Part No.	Qty/Brk	Description
0	K23-112-00	1	LH Complete Brake Assembly
0	K23-113-00	1	RH Complete Brake Assembly (shown)
2	047-107-05	1	LH Actuating Lever Arm Assembly
2	047-108-05	1	RH Actuating Lever Arm Assembly
3	027-005-00	2	Wire Clip
5	K71-048-00	1	Shoe and Lining Kit containing: 1 #040-044-00 Primary S&L 1 #040-045-00 Secondary S&L 2 #049-011-00 Shoe Hold Down Pin #2 2 #046-077-00 Shoe Hold Down Spring & Cup
6	043-004-00	1	Adjuster Assembly
7	046-018-00	1	Adjusting Screw Spring
8	K71-105-00	1	Magnet Kit containing: 1 #042-099-01 Magnet (white wire) 1 #027-009-00 Magnet Clip 1 #046-080-00 Magnet Spring
9	046-007-00	1	Adjuster Slot Plug
10	046-016-00	1	Wire Grommet
*12	006-193-00	5	Nut Washer Assembly
20	036-089-08	1	LH Backing Plate Ass'y Complete (incl. #21-28)
20	036-089-09	1	RH Backing Plate Ass'y Complete (incl. #21-28)
21	036-089-06	1	LH Backing Plate Ass'y
21	036-089-07	1	RH Backing Plate Ass'y
22	039-025-00	1	LH Pivot Pin & Cam Sub-Assembly
22	039-026-00	1	RH Pivot Pin & Cam Sub-Assembly
23	039-048-00	1	LH Actuating Cam
23	039-049-00	1	RH Actuating Cam
24	038-068-00	1	Anchor Post & Bushing Sub-Assembly
25	006-047-00	1	Anchor Post Locknut
26	005-041-00	1	Washer
27	006-011-00	1	Pivot Pin Locknut
28	047-070-00	1	Parking Brake Lever
29	046-005-00	1	Retractor Spring

\* Not included with complete brake assembly. Items sold separately.

## ELECTRIC PARKING BRAKE 6000# (CSA 6000#)

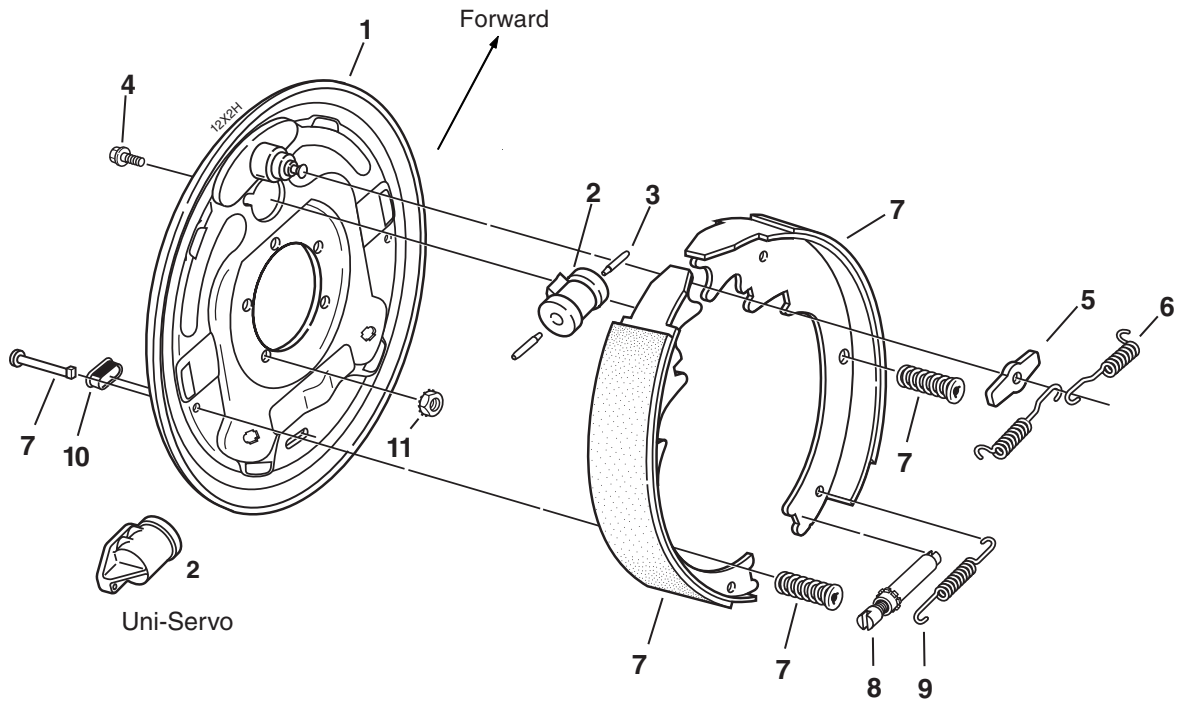
Item	Part No.	Qty/Brk	Description
0	K23-328-00	1	LH Complete Brake Assembly
0	K23-329-00	1	RH Complete Brake Assembly
2	047-107-05	1	LH Actuating Lever Arm Assembly
2	047-108-05	1	RH Actuating Lever Arm Assembly
3	027-005-00	2	Wire Clip
5	K71-127-00	1	Shoe and Lining Kit containing: 1 #040-215-00 Primary S&L 1 #040-216-00 Secondary S&L 2 #049-011-00 Shoe Hold Down Pin #2 2 #046-077-00 Shoe Hold Down Spring & Cup
6	043-004-00	1	Adjuster Assembly
7	046-018-00	1	Adjusting Screw Spring
8	K71-105-00	1	Magnet Kit containing: 1 #042-099-01 Magnet (white wire) 1 #027-009-00 Magnet Clip 1 #046-080-00 Magnet Spring
9	046-007-00	1	Adjuster Slot Plug
10	046-016-00	1	Wire Grommet
*12	006-193-00	5	Nut Washer Assembly
20	036-089-08	1	LH Backing Plate Ass'y Complete (incl. #21-28)
20	036-089-09	1	RH Backing Plate Ass'y Complete (incl. #21-28)
21	036-089-06	1	LH Backing Plate Ass'y
21	036-089-07	1	RH Backing Plate Ass'y
22	039-025-00	1	LH Pivot Pin & Cam Sub-Assembly
22	039-026-00	1	RH Pivot Pin & Cam Sub-Assembly
23	039-048-00	1	LH Actuating Cam
23	039-049-00	1	RH Actuating Cam
24	038-068-00	1	Anchor Post & Bushing Sub-Assembly
25	006-047-00	1	Anchor Post Locknut
26	005-041-00	1	Washer
27	006-011-00	1	Pivot Pin Locknut
28	047-070-00	1	Parking Brake Lever
29	046-005-00	1	Retractor Spring

CSA approved at 6000#/14.2 SLR

**DEXTER AXLE**

# 12x2" HYDRAULIC BRAKE

4000 - 6000 LBS. CAPACITY



Note: Uni-servo brakes to be used with surge actuator

## HYDRAULIC BRAKE 5200#

Item	Part No.	Qty/Brk	Description
0	K23-322-00	1	LH Brake Assembly Complete-DS
0	K23-323-00	1	RH Brake Assembly Complete-DS (shown)
0	K23-324-00	1	LH Brake Assembly Complete-US
0	K23-325-00	1	RH Brake Assembly Complete-US (shown)
1	036-093-03	1	Backing Plate Assembly
2	054-062-00	1	LH Brake Cylinder Duo-Servo
2	054-063-00	1	RH Brake Cylinder Duo-Servo
2	054-064-00	1	LH Brake Cylinder Uni-Servo
2	054-065-00	1	RH Brake Cylinder Uni-Servo
3	054-060-00	1 or 2	Cylinder Push Rod US (1) DS (2)
4	087-001-00	2	Sems (Screw & Washer Assembly)
5	005-113-00	1	Anchor Post Washer
6	046-101-00	2	Retractor Spring
7	K71-268-00	1	Shoe and Lining Kit containing: 1 #040-204-00 Primary S&L 1 #040-206-00 Secondary S&L 2 #046-077-00 Shoe Hold Down Spring & Cup 2 #049-012-00 Shoe Hold Down Pin #4
8	043-029-00	1	Adjuster Assembly
9	046-102-00	1	Adjusting Screw Spring
10	046-007-00	1	Adjuster Slot Plug
*11	006-193-00	5	Nut Washer Assembly
ns	054-089-00	1	Bleeder Screw (included with item #2)

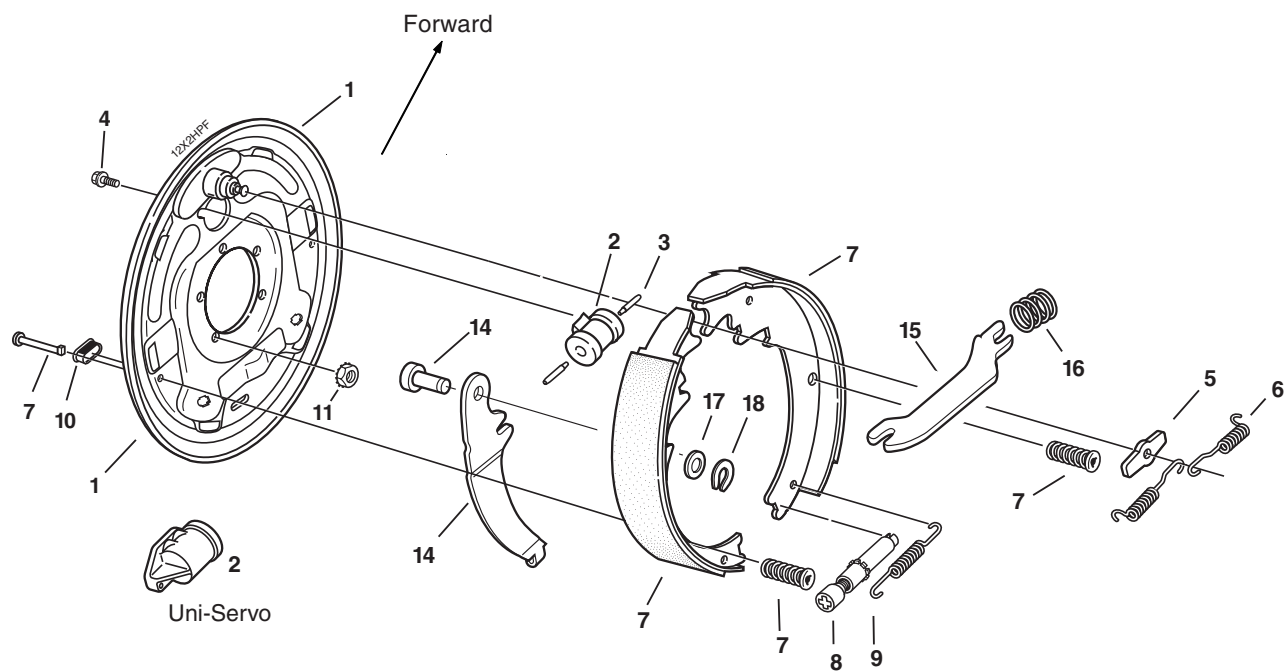
ns - not shown

\* Not included with complete brake assembly. Items sold separately.

DEXTER AXLE

# 12x2" HYDRAULIC BRAKE WITH PARKING FEATURE

4000 - 6000 LBS. CAPACITY



Note: Uni-servo brakes to be used with surge actuator

## HYDRAULIC PARKING BRAKE 5200#

Item	Part No.	Qty/Brk	Description
0	K23-318-00	1	LH Brake Assembly Complete-DS
0	K23-319-00	1	RH Brake Assembly Complete-DS (shown)
0	K23-320-00	1	LH Brake Assembly Complete-US
0	K23-321-00	1	RH Brake Assembly Complete-US (shown)
1	036-093-19	1	LH Backing Plate Assembly
1	036-093-20	1	RH Backing Plate Assembly
2	054-062-00	1	LH Brake Cylinder Duo-Servo
2	054-063-00	1	RH Brake Cylinder Duo-Servo
2	054-064-00	1	LH Brake Cylinder Uni-Servo
2	054-065-00	1	RH Brake Cylinder Uni-Servo
3	054-060-00	1 or 2	Cylinder Push Rod US (1) DS (2)
4	087-001-00	2	Sems (Screw & Washer Assembly)
5	005-113-00	1	Anchor Post Washer
6	046-101-00	2	Retractor Spring
7	K71-268-00	1	Shoe and Lining Kit containing: 1 #040-204-00 Primary S&L 1 #040-206-00 Secondary S&L 2 #046-077-00 Shoe Hold Down Spring & Cup 2 #049-012-00 Shoe Hold Down Pin #4
8	043-029-00	1	Adjuster Assembly
9	046-102-00	1	Adjusting Screw Spring
10	046-007-00	1	Adjuster Slot Plug
*11	006-193-00	5	Nut Washer Assembly
14	047-110-01	1	LH Parking Lever and Pin
14	047-111-01	1	RH Parking Lever and Pin
15	047-109-00	1	Parking Strut
16	046-103-00	1	Parking Strut Spring
17	005-112-00	1	Spring Tension Washer
18	069-055-00	1	Retainer
ns	054-089-00	1	Bleeder Screw (included with item #2)
ns	071-515-00	1	Park Brake Cable

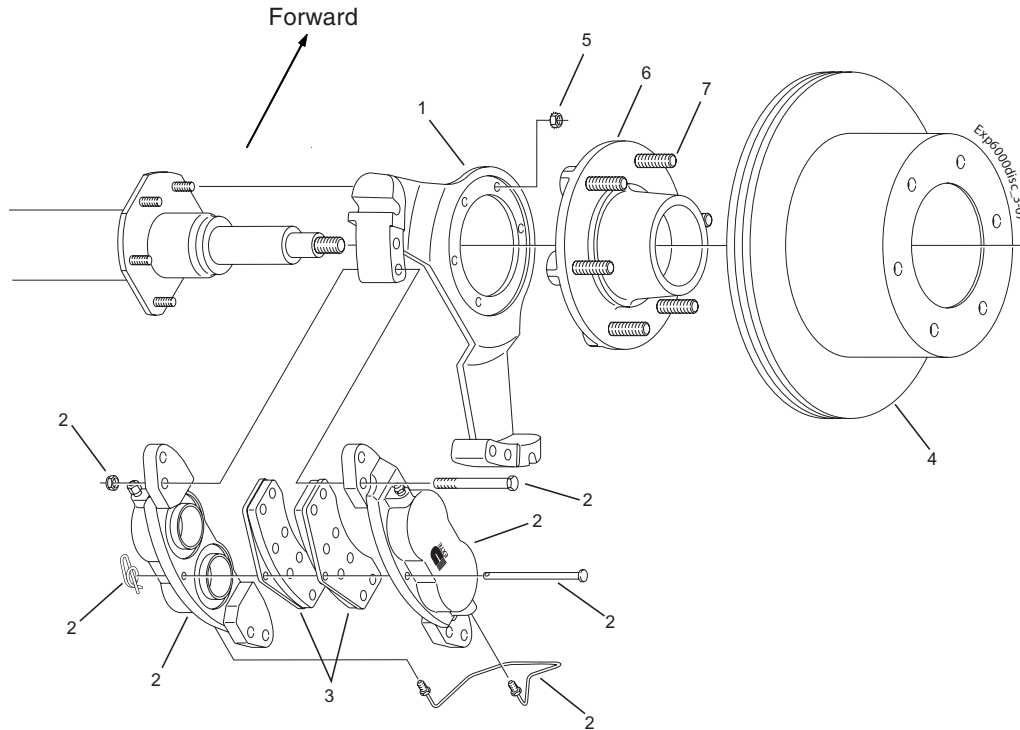
ns - not shown

\* Not included with complete brake assembly. Items sold separately.

DEXTER AXLE



# DISC BRAKE FOR 6,000 LB. AXLES



## DISC BRAKE 6000#

Item	Part No.	Qty/Brk	Description
1	090-005-01	1	Anchor Yoke LH
	090-005-02	1	Anchor Yoke RH (shown)
2	K71-636-00	1	Caliper Assembly Kit for LH or RH includes:
	2 089-005-02		Assembled Caliper Half
	1 054-092-00		Bleeder Screw
	1 054-094-00		Adapter Fitting
	4 007-254-00		Caliper Mounting Bolt
	1 056-038-00		Pad Retaining Pin
	4 006-045-00		Caliper Mounting Nut
	1 019-019-00		Cotter Ring
	1 071-513-00		Cross Over Hydraulic Line (yokes without notch)
	1 071-517-00		Cross Over Hydraulic Line (yokes with notch)
3	K71-629-00	1	Brake Pad Kit (axle set)
4	K71-637-00	1	Rotor Kit
5	006-193-00	5	3/8" Brake Mounting Nut-Washer Assembly

## DISC BRAKE 6000# WITH 42MM NEV-R-LUBE™

Item	Part No.	Qty/Brk	Description
1	090-006-01	1	Anchor Yoke LH
	090-006-02	1	Anchor Yoke RH
2	K71-636-00	1	Caliper Assembly Kit for LH or RH includes:
	2 089-005-02		Assembled Caliper Half
	1 054-092-00		Bleeder Screw
	1 054-094-00		Adapter Fitting
	4 007-254-00		Caliper Mounting Bolt
	1 056-038-00		Pad Retaining Pin
	4 006-045-00		Caliper Mounting Nut
	1 019-019-00		Cotter Ring
	1 071-513-00		Cross Over Hydraulic Line (yokes without notch)
	1 071-517-00		Cross Over Hydraulic Line (yokes with notch)
3	K71-629-00	1	Brake Pad Kit (axle set)
4	K71-637-00	1	Rotor Kit
5	006-193-00	5	3/8" Brake Mounting Nut-Washer Assembly

## DISC BRAKE HUBS & STUDS

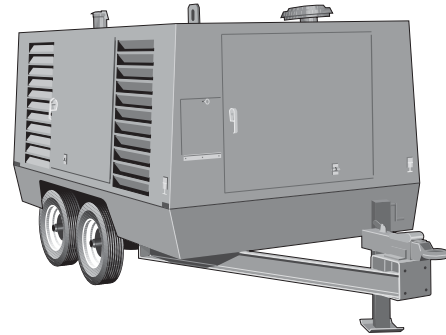
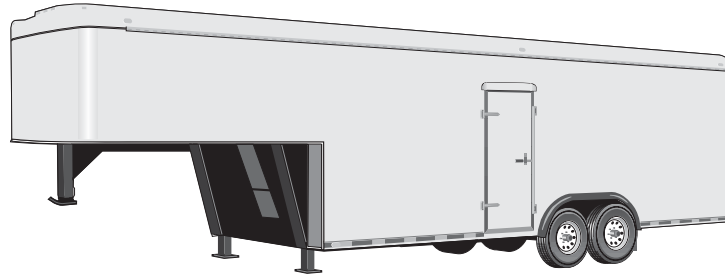
Item	Part No.	Qty/Brk	Description
6	008-403-05	1	Grease 1/2" Studs 6 on 5.50
7	007-262-00	6	1/2"-20 x 2.50" Press-in Stud

## NEV-R-LUBE™ DISC BRAKE HUBS

Item	Part No.	Qty/Brk	Description
6	008-404-80	1	1/2" Studs, 42mm 6 on 5.50
7	007-262-00	6	1/2"-20 x 2.50" Press-in Stud

# GENERAL APPLICATIONS

5500 - 7000 LBS. CAPACITY



## AXLE TYPES

### 5500-7000 lbs. capacity

- Complete service manual
- Precision machined, forged steel spindles
- Precision machined integral cast iron hub/drums
- 8-bolt and 5 bolt (UTG) hubs available
- Standard grease; optional oil bath; E-Z Lube® or Nev-R-Lube™ option
- Press-in wheel studs (8-bolt)
- 12 x 2" CSA approved electric brakes (at 6000#), 12 x 2" hydraulic brakes
- Brakes are available with and without parking feature
- Hydraulic free backing brakes available
- Hydraulic brakes - uni-servo and duo-servo available
- Inner wiring system for easier installation and protection of brake wiring
- Heavy wall 3" diameter tube
- Straight or Drop spindles (4" drop only)



- Totally rubber-cushioned for smooth, quiet independent ride
- Easy installation with less maintenance
- Less transfer of road shock which insulates cargo from road shocks and vibration
- Self-damping action
- Load-carrying cross member
- Rubber cords compounded for maximum dependability and durability
- Independent wheel suspension system
- 5 year limited warranty on suspension system
- Low profile for maximum road clearance
- Various starting angles to control trailer height

### D60 & D70 LEAF SPRING



- High quality alloy steel springs in a variety of capacities
- Single, tandem or triple axle assemblies with equalized suspensions
- Slipper spring or double eye leaf spring suspension
- Optional hanger and attaching parts kits available
- Durable, wear-resistant components
- 2 year limited warranty



#### CAUTION:

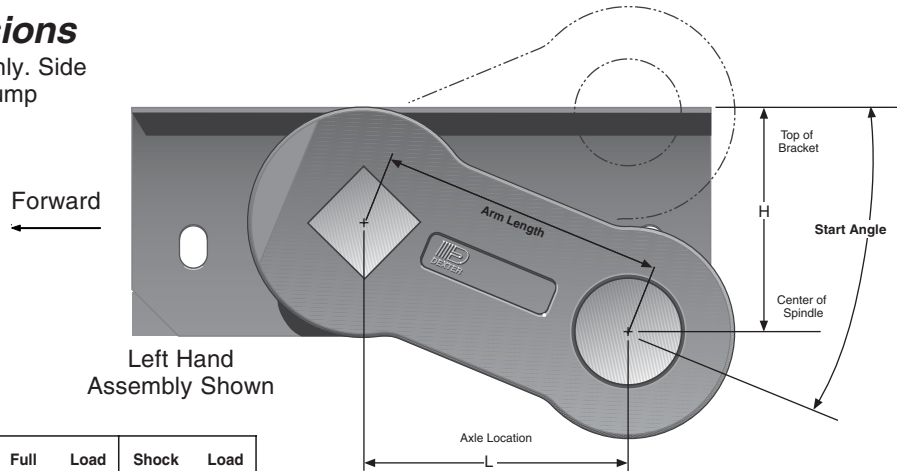
*Triple axle assemblies are NOT recommended for Torflex® axles.*

- High and low profile brackets with optional mounting brackets are available
- Rubber cushioning eliminates metal-to-metal contact
- Shock absorption provided by the natural hysteresis of rubber
- Single or tandem axle assemblies (triple assemblies are not recommended)
- Durable, wear-resistant components

DEXTER AXLE

## #12 Articulation Dimensions

Dimensions are for top mount only. Side mount is .31" higher. Allow 3" bump clearance from full load.



Start Angle	Bracket Profile	No Load		Full Load		Shock Load	
		H	L	H	L	H	L
45° down	Low	6.24	4.24	4.30	5.54	3.30	5.86
	High	6.99	4.24	5.05	5.54	4.05	5.86
22.5° down	Low	4.30	5.54	2.00	6.00	0.96	5.91
	High	5.05	5.54	2.75	6.00	1.71	5.91
10° down	Low	3.04	5.91	0.70	5.86	-0.30	5.54
	High	3.79	5.91	1.45	5.86	0.45	5.54
0°	Low	2.00	6.00	-0.30	5.54	-1.22	5.06
	High	2.75	6.00	0.45	5.54	-0.47	5.06
10° up	Low	0.96	5.91	-1.22	5.06	-2.05	4.42
	High	1.71	5.91	-0.47	5.06	-1.30	4.42
22.5° up	Low	-0.30	5.54	-2.24	4.24	-2.91	3.44
	High	0.45	5.54	-1.49	4.24	-2.16	3.44

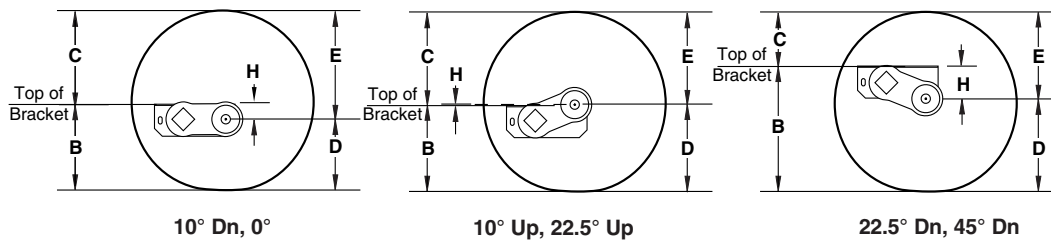
### #12 OVERHANG PER SIDE

Spindle	Min.	Max.
Short	7.00"	15.20"
Standard	7.47"	15.20"

Note: Positive numbers in the H column indicate the spindle is BELOW the top of the bracket. Conversely, negative numbers are ABOVE the top of the bracket.

## #12 Full Load Dimensions

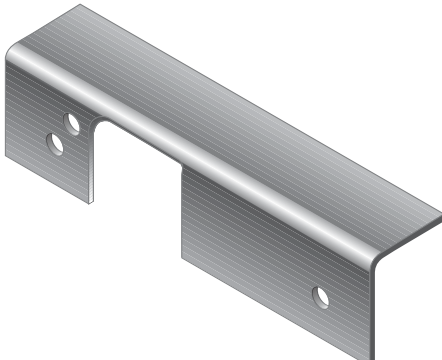
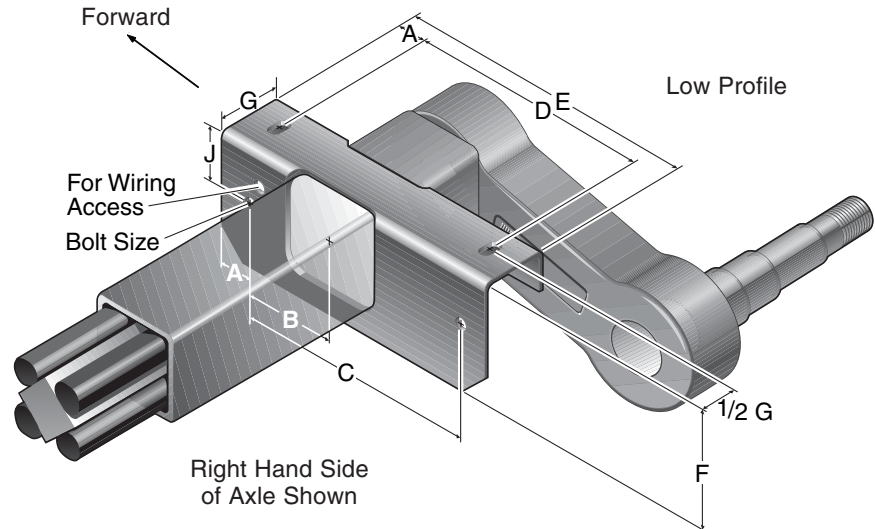
Dimensions are for low profile, top mount only. High profile brackets are .75" higher. Side mount is .31" higher. Allow 3" bump clearance from full load.



### START ANGLE

Tire	45° Down			22.5° Down			10° Down			0°			10° Up			22.5° Up			D	E
	H	B	C	H	B	C	H	B	C	H	B	C	H	B	C	H	B	C		
LT235/85R16	4.3	18.6	11.1	2.0	16.3	13.4	0.7	15.0	14.7	-0.3	14.0	15.7	-1.2	13.1	16.6	-2.2	12.1	17.6	14.3	15.4
7.50-16LT	4.3	19.2	12.4	2.0	16.9	14.7	0.7	15.6	16.0	-0.3	14.6	17.0	-1.2	13.7	17.9	-2.2	12.7	18.9	14.9	16.7
9.50-16.5LT	4.3	18.4	10.9	2.0	16.1	13.2	0.7	14.8	14.5	-0.3	13.8	15.5	-1.2	12.9	16.4	-2.2	11.9	17.4	14.1	15.2

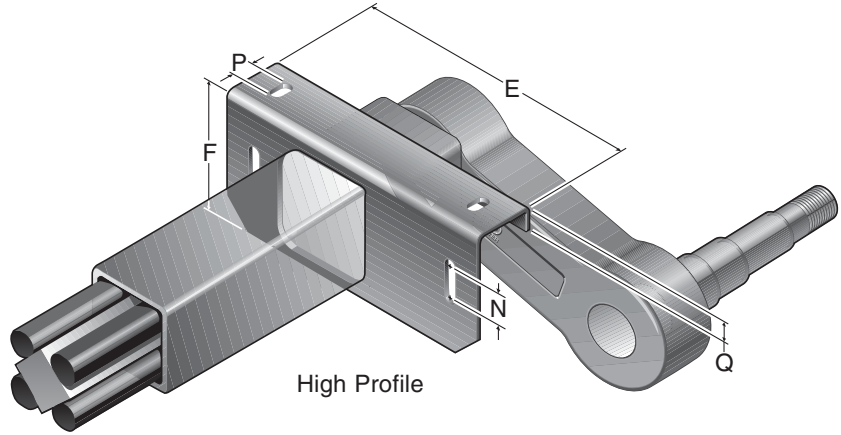
**12** Bracket Dimensions



Side Mount Hanger

**#12 BRACKET DIMENSIONS**

	Low	High
A	1.25	1.25
B	3.50	3.50
C	9.50	9.50
D	9.00	9.00
E	12.00	12.00
F	4.37	5.12
G	2.50	2.50
J	2.06	2.06
N	----	1.03
P	----	1.00
Q	----	1.00
Bolt Size	<sup>5</sup> / <sub>8</sub> " bolt	
Tube Size	3.50	3.50



# LEAF SPRING APPLICATION INFORMATION

## DOUBLE EYE SPRINGS

*For standard 33" axle spacing*  
**Single A/P-122-00**  
**Tandem A/P-233-00**  
**Triple A/P-335-00**  
*Spring Length*

	21"	24"	26"
A	19.62	23.50	25.75
B	25.00	27.50	29.50
C	28.75	31.00	33.00
D	10.62	12.00	13.00
E	28.75	31.00	33.00

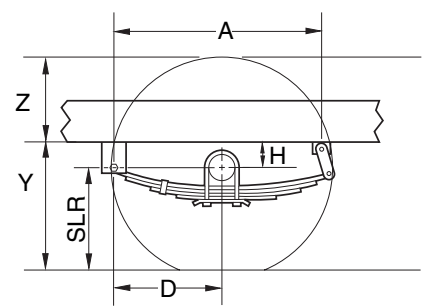
*For optional 35" axle spacing*  
**Tandem A/P-264-00**  
**Triple A/P-364-00**  
*Spring Length*

	21"	24"	26"
B	26.00	28.50	30.50
C	30.80	33.00	35.00
D	10.62	12.00	13.00
E	30.80	33.00	35.00

## D60 OVERHANG PER SIDE

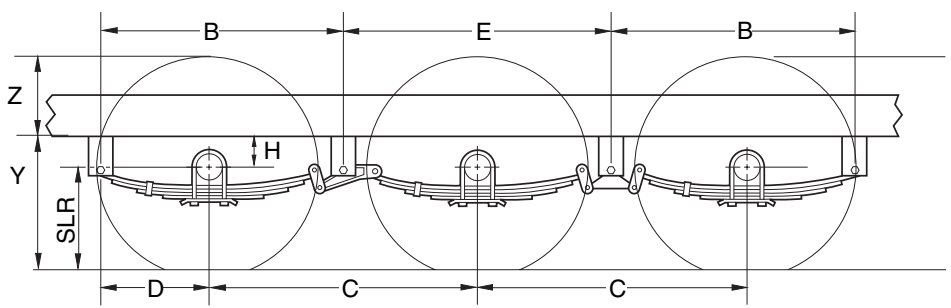
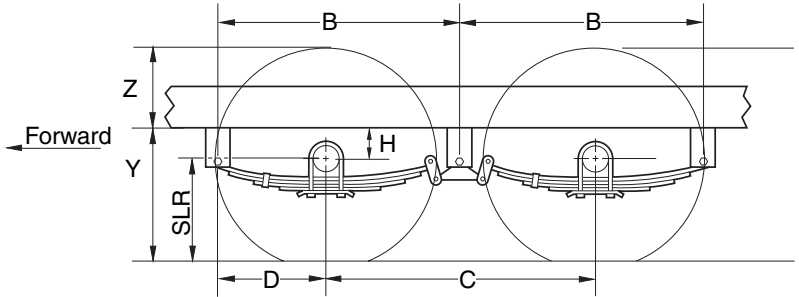
	Min.	Disc.*	Max.
Straight	6.63"	9.00"	10.00"
4" Drop-Short	7.87"	9.00"	10.00"
4" Drop	8.25"	9.00"	10.00"
Nev-R-Lube™	6.19"	9.00"	10.00"

\* Minimum overhang with disc brakes



## D70 OVERHANG PER SIDE

	Min.	Max.
Straight	6.63"	9.00"
4" Drop	7.87"	9.00"
Nev-R-Lube™	6.37"	9.00"



## DOUBLE EYE AXLE ASSEMBLIES

Hanger Kits			Quantity Per Kit				
Part No.	Description	Ht.	HGR-104-00	HGR-105-00	HGR-248-00	HGR-249-00	HGR-348-00
028-005-00	Hanger	3.25"	2	----	4	2	4
028-006-00	Front Hanger	1.44"	----	2	----	----	----
029-008-00	Front Hanger	2.06"	----	----	----	4	----
029-031-00	Center Hanger	3.62"	----	----	2	----	4
030-020-00	Rear Hanger	.91"	2	2	----	----	----

Attaching Parts Kit		A/P-122-00	A/P-233-00	A/P-264-00†	A/P-335-00	A/P-364-00†
006-092-01	Flange Locknut	6	14	14	22	22
007-126-00	Shackle Bolt	2	6	6	10	10
013-104-02	Equalizer	----	2	----	2	----
013-105-02	Equalizer	----	----	----	2	----
013-122-02	Equalizer	----	----	2	----	2
013-126-02	Equalizer	----	----	----	----	2
018-011-00	Shackle Link	----	4	4	6	6
018-012-00	Shackle Link, Long	2	----	----	----	----
018-020-00	Shackle Link Assy.	----	4	4	6	6
018-021-00	Shackle Link Assy., Long	2	----	----	----	----

† For 35" axle spacing using 26" springs

# LEAF SPRING APPLICATION INFORMATION

**5500 - 7000 LBS. CAPACITY**

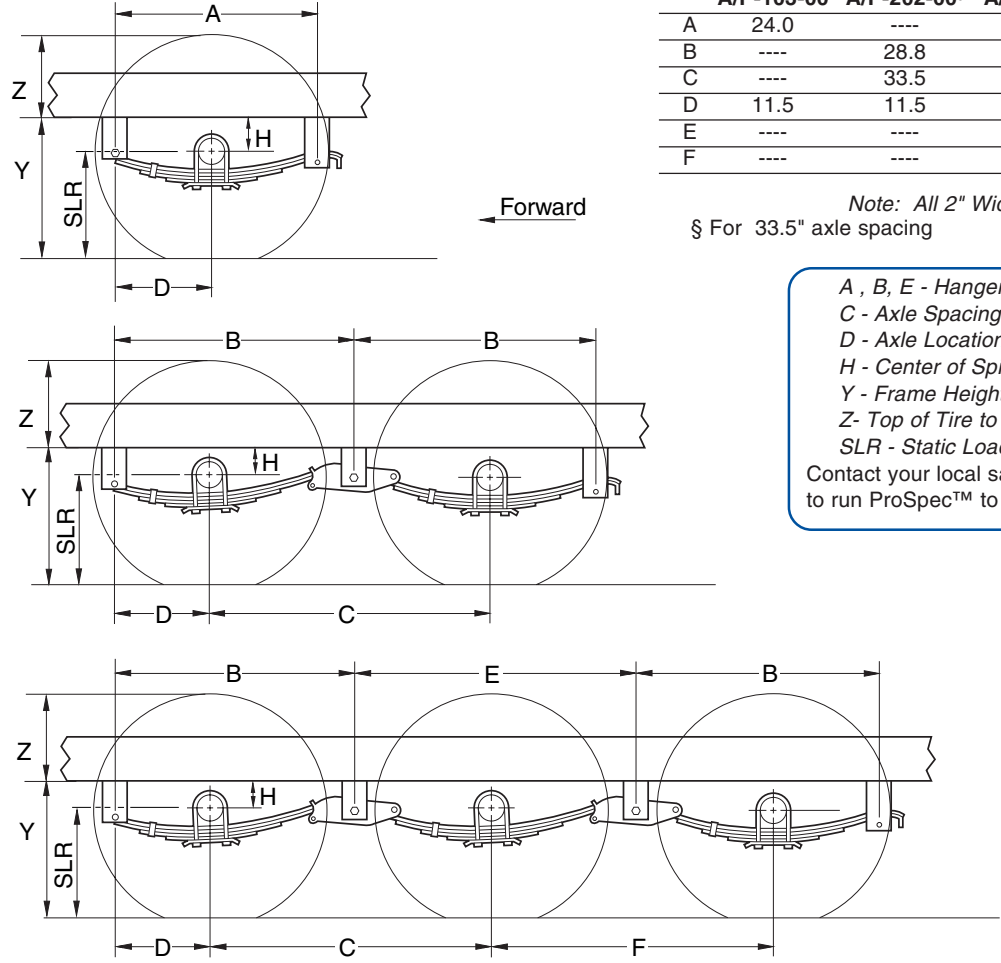
## SLIPPER SPRINGS

	Single	Tandem		Triple	
	A/P-103-00	A/P-202-00 <sup>§</sup>	A/P-216-00 <sup>‡</sup>	A/P-302-00 <sup>§</sup>	A/P-316-00 <sup>‡</sup>
A	24.0	----	----	----	----
B	----	28.8	30.4	28.8	30.4
C	----	33.5	36.0	33.5	36.0
D	11.5	11.5	11.5	11.5	11.5
E	----	----	----	33.0	35.0
F	----	----	----	33.0	35.0

Note: All 2" Wide Slipper Springs

§ For 33.5" axle spacing      ‡ For 36" axle spacing

A, B, E - Hanger Spacing  
 C - Axle Spacing  
 D - Axle Location  
 H - Center of Spindle  
 Y - Frame Height  
 Z - Top of Tire to Bottom of Frame  
 SLR - Static Load Radius  
 Contact your local sales engineer or distributor to run ProSpec™ to determine H, Y, Z, SLR.



## SLIPPER SPRING AXLE ASSEMBLIES

Hanger Kits			Quantity Per Kit		
Part No.	Description	Ht.	HGR-110-00	HGR-202-00	HGR-302-00
028-001-00	Front Hanger	4.25"	2	2	2
029-001-00	Center Hanger	3.50"	----	2	4
030-028-00	Rear Hanger	4.00"	2	2	2

Attaching Parts Kit		A/P-103-00	A/P-202-00 <sup>§</sup>	A/P-216-00 <sup>‡</sup>	A/P-302-00 <sup>§</sup>	A/P-316-00 <sup>‡</sup>
006-007-01	9/16-18 Locknut	2	4	4	6	6
006-011-00	Keeper Nut	2	4	4	6	6
006-111-00	Equalizer Nut	----	2	2	4	4
007-001-01	Equalizer Bolt	----	2	2	4	4
007-007-00	Keeper Bolt	2	4	4	6	6
007-017-00	Spring Eye Bolt	2	4	4	6	6
013-004-00	Equalizer	----	2	----	4	----
013-044-01	Equalizer	----	----	2	----	4

§ For 33.5" axle spacing

‡ For 36" axle spacing

Some combinations of hangers and spring mounting may result in insufficient bump clearance. For additional Hanger kits, AP kits or other tires, refer to pages 85-87.

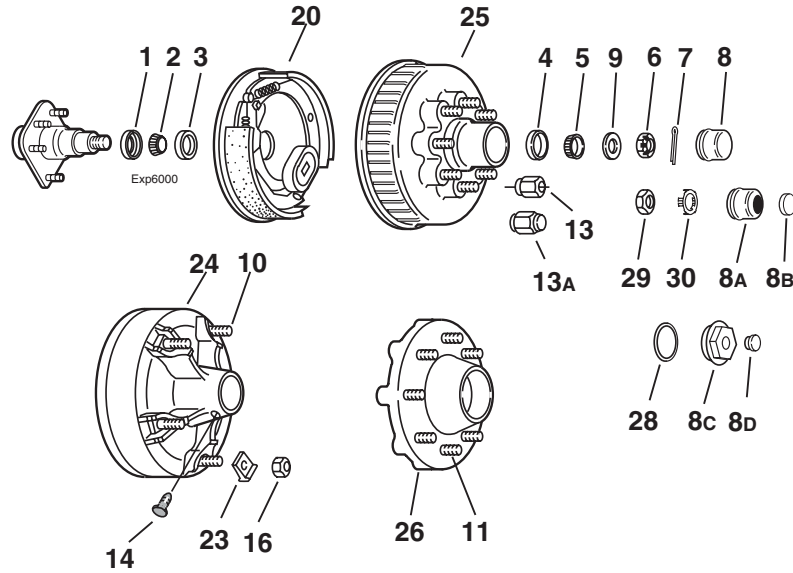
**DEXTER AXLE**



# 865 AND DEMOUNTABLE HUB GROUP

5500 - 7000 LBS. CAPACITY

DEXTER AXLE



## GREASE LUBE PARTS

Item	Part No.	Description
1	010-054-00	Grease Seal 2.25"
1	010-036-00	E-Z Lube® Seal 2.25"
2	031-030-02	25580 Inner Bearing Cone
3	031-030-01	25520 Inner Bearing Cup
4	031-017-01	14276 Outer Bearing Cup - 865 Hub
4	031-029-01	15245 Outer Bearing Cup - UTG Hub
5	031-029-02	15123 Outer Bearing Cone - UTG Hub
5	031-017-02	14125A Outer Bearing Cone - 865 Hub
6	006-001-00	Spindle Nut
7	019-002-00	Cotter Pin (not used on E-Z Lube®)
8	021-001-00	Grease Cap - UTG Hub
8	021-039-00	Grease Cap - 865 Hub
8A	021-042-01	Grease Cap E-Z Lube®-UTG
8A	021-042-02	Grease Cap E-Z Lube® Chrome Option-UTG
8A	021-043-01	Grease Cap E-Z Lube®-865 Hub
8A	021-043-02	Grease Cap E-Z Lube® Chrome Option-865 Hub
8B	085-001-00	E-Z Lube® Rubber Plug
9	005-057-00	Spindle Washer
16	006-005-00	9/16-18 Nut for Rim Clamp
23	015-002-00	Rim Clamp
29	006-191-00	Special Jam Nut for E-Z Lube® (after 2002)
30	006-190-00	Spindle Nut Retainer for E-Z Lube® (after 2002)

## OIL LUBE PARTS

Item	Part No.	Description
1	010-063-00	Oil Seal 2.25"
2	031-030-02	25580 Inner Bearing Cone
3	031-030-01	25520 Inner Bearing Cup
4	031-017-01	14276 Outer Bearing Cup - 865 Hub
4	031-029-01	15245 Outer Bearing Cup - UTG Hub
5	031-029-02	15123 Outer Bearing Cone
5	031-017-02	14125A Outer Bearing Cone
6	006-001-00	Spindle Nut
7	019-002-00	Cotter Pin
8C	021-035-00	Oil Cap (865 Hub)
ns	021-040-00	Oil Cap (UTG Hub)
8D	046-032-00	Oil Cap Plug
9	005-057-00	Spindle Washer
14	046-052-00	Oil Filler Plug (865 and demountable)
ns	046-032-00	Oil Cap Plug
16	006-005-00	9/16-18 Nut for Rim Clamp
23	015-002-00	Rim Clamp
28	010-045-00	865 'O' Ring
ns	010-059-00	UTG 'O' Ring

ns - not shown

Note: 6 on 5.5 hubs are available on these axles. See section in 4000-6000 lbs. category.

## HUBS

Item	Part No.	Description	Bolt Circle
<i>Hubs and Drums</i>			
24	008-174-05	Grease 9/16" stud	Demountable
24	008-174-06	Oil 9/16" stud	Demountable
25	008-219-04	Grease 1/2" stud	8 on 6.50
25	008-219-13	Grease 9/16" stud	8 on 6.50
25	008-219-18	Grease 5/8" stud	8 on 6.50
25	008-219-09	Oil 1/2" stud	8 on 6.50
25	008-219-20	Oil 9/16" stud	8 on 6.50
25	008-219-26	Oil 5/8" stud	8 on 6.50
<i>Plain Hubs</i>			
26	008-231-09	Grease 1/2" stud	8 on 6.50
26	008-231-18	Grease 9/16" stud	8 on 6.50
26	008-231-20	Grease 5/8" stud	8 on 6.50
26	008-231-16	Oil 1/2" stud	8 on 6.50

## BRAKES

Item	Part No.	Description
20	K23-105-00/K23-106-00	LH/RH Electric DXQ-6K
ns	K23-112-00/K23-113-00	LH/RH Electric DXQ, w/park-6K
ns	K23-328-00/K23-329-00	LH/RH Electric 6K CSA w/park
ns	K23-326-00/K23-327-00	LH/RH Electric 6K CSA
ns	K23-180-00/K23-181-00	LH/RH Electric-7K
ns	K23-338-00/K23-339-00	LH/RH Hyd. Uni-servo-7K
ns	K23-334-00/K23-335-00	LH/RH Hyd. Uni-servo w/park-7K
ns	K23-336-00/K23-337-00	LH/RH Hyd. Duo-servo-7K
ns	K23-332-00/K23-333-00	LH/RH Hyd. Duo-servo w/park-7K
ns	K23-342-00/K23-343-00	LH/RH Hyd. Uni-servo FB-7K
ns	K23-340-00/K23-341-00	LH/RH Hyd. Uni-servo FB w/park-7K
ns	K23-342-01/K23-343-01	LH/RH Hyd. Uni-servo FB-7K
ns	K23-340-01/K23-341-01	LH/RH Hyd. Uni-servo FB w/park-7K

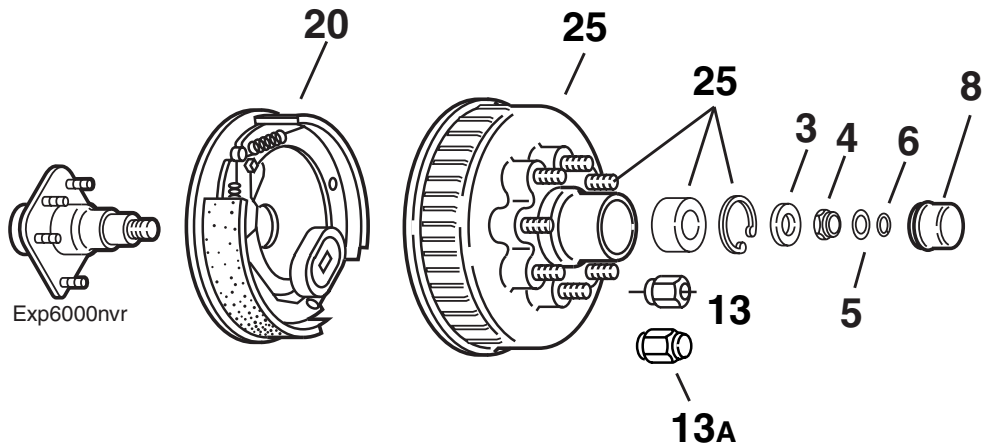
## STUDS & WHEEL NUTS

Item	Part No.	Description
10	025-011-00	9/16-18 Stud - UTG
11	007-122-00	1/2-20 x 1.84 Long Press-in Stud* (hubs prior to 1/04)
11	007-262-00	1/2-20 x 2.50 Long Press-in Stud* (hubs after 1/04)
13	006-080-00	1/2-20 60° Cone Nut
13A	006-098-00	1/2-20 Stainless Steel Capped Wheel Nut
ns	007-132-00	9/16-18 Press-in Stud
ns	006-053-00	9/16-18 60° Cone Nut
ns	007-232-00	5/8-18 Press-in Stud
ns	006-109-00	5/8-18 90° Cone Nut

\* Stud length measured under head to end of stud.

# 655 AND 865 NEV-R-LUBE™ HUB GROUP

5500 - 7000 LBS. CAPACITY



## NEV-R-LUBE™ PARTS

Item	Part No.	Description
ns	005-147-01	Spindle Washer, 42mm
3	005-149-00	Spindle Washer, 50mm
4	006-183-00	Spindle Nut
5	092-002-00	Washer, Torque Label
6	069-096-00	Snap Ring
ns	021-085-00	Hub Cap, 42mm
8	021-086-00	Hub Cap, 50mm

## 12 X 2 BRAKES

Item	Part No.	Description
20	K23-105-00/K23-106-00	LH/RH DXQ Electric
ns	K23-180-00/K23-181-00	LH/RH Electric-7K
ns	K23-338-00/K23-339-00	LH/RH Hyd. Uni-servo-7K
ns	K23-334-00/K23-335-00	LH/RH Hyd. Uni-servo w/park-7K
ns	K23-336-00/K23-337-00	LH/RH Hyd. Duo-servo-7K
ns	K23-332-00/K23-333-00	LH/RH Hyd. Duo-servo w/park-7K
ns	K23-342-00/K23-343-00	LH/RH Hyd. FB-7K
ns	K23-340-00/K23-341-00	LH/RH Hyd. FB w/park-7K
ns	K23-326-00/K23-327-00	LH/RH Electric 6K CSA

ns - not shown

## HUBS WITH BEARING AND WHEEL STUDS

Item	Part No.	Description	Bolt Circle
ns	008-388-80	Hub & Drum includes: 007-122-00 ½-20 Press-in Studs 031-073-03 42mm Bearing Cartridge 069-095-00 Bearing Retainer	6 on 5.50
25	008-385-82	Hub & Drum includes: 007-122-00 ½-20 Press-in Studs 031-071-03 50mm Bearing Cartridge 069-093-00 Bearing Retainer	8 on 6.50
ns	008-385-81	Hub & Drum includes: 007-223-00 9/16-18 Press-in Studs 031-071-03 50mm Bearing Cartridge 069-093-00 Bearing Retainer	8 on 6.50
ns	008-385-80	Hub & Drum includes: 007-224-00 9/16-18 Press-in Studs 031-071-03 50mm Bearing Cartridge 069-093-00 Bearing Retainer	8 on 6.50

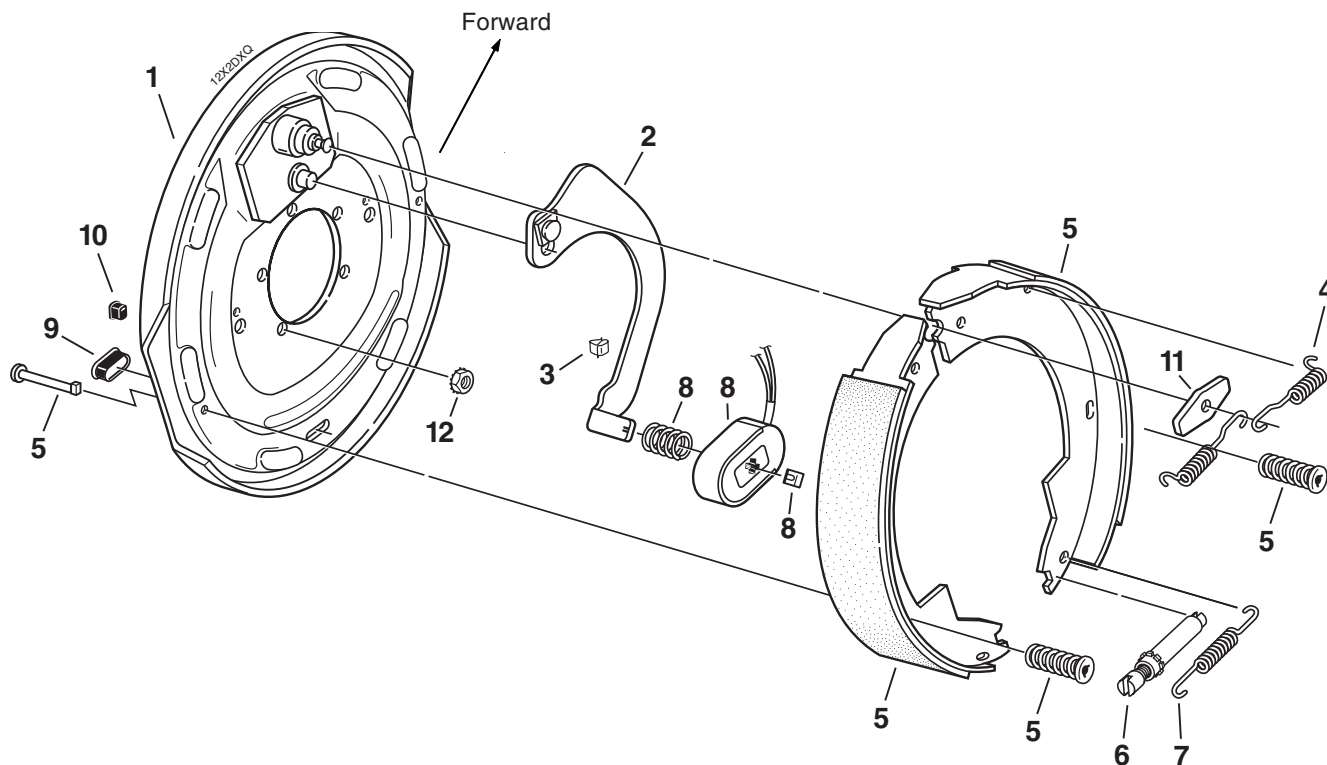
## WHEEL NUTS

Item	Part No.	Description
13	006-080-00	½-20 60° Cone Nut
13A	006-098-00	½-20 Stainless Steel Capped Wheel Nut
ns	006-053-00	9/16-18 60° Cone Nut
ns	006-109-00	5/8-18 90° Cone Nut

DEXTER AXLE

# 12x2" ELECTRIC BRAKE

5500 - 7000 LBS. CAPACITY



## DXQ ELECTRIC BRAKE 6000#

Item	Part No.	Qty/Brk	Description
0	K23-105-00	1	LH Complete Brake Assembly
0	K23-106-00	1	RH Complete Brake Assembly (shown)
1	036-089-05	1	Backing Plate Assembly
2	047-107-05	1	LH Actuating Lever Arm Assembly
2	047-108-05	1	RH Actuating Lever Arm Assembly
3	027-005-00	2	Wire Clip
4	046-009-00	2	Retractor Spring
5	K71-048-00	1	Shoe and Lining Kit containing: 1 #040-044-00 Primary S&L 1 #040-045-00 Secondary S&L 2 #049-011-00 Shoe Hold Down Pin #2 2 #046-077-00 Shoe Hold Down Spring & Cup
6	043-004-00	1	Adjuster Assembly
7	046-018-00	1	Adjusting Screw Spring
8	K71-105-00	1	Magnet Kit containing: 1 #042-099-01 Magnet (white wire) 1 #027-009-00 Magnet Clip 1 #046-080-00 Magnet Spring
9	046-007-00	1	Adjuster Slot Plug
10	046-016-00	1	Wire Grommet
11	005-067-00	1	Anchor Post Washer
*12	006-193-00	5	Nut Washer Assembly

\* Not included with complete brake assembly. Items sold separately.

## ELECTRIC BRAKE 6000#

Item	Part No.	Qty/Brk	Description
0	K23-326-00	1	LH Complete Brake Assembly
0	K23-327-00	1	RH Complete Brake Assembly
1	036-089-05	1	Backing Plate Assembly
2	047-107-05	1	LH Actuating Lever Arm Assembly
2	047-108-05	1	RH Actuating Lever Arm Assembly
3	027-005-00	2	Wire Clip
4	046-009-00	2	Retractor Spring
5	K71-127-00	1	Shoe and Lining Kit containing: 1 #040-215-00 Primary S&L 1 #040-216-00 Secondary S&L 2 #049-011-00 Shoe Hold Down Pin #2 2 #046-077-00 Shoe Hold Down Spring & Cup
6	043-004-00	1	Adjuster Assembly
7	046-018-00	1	Adjusting Screw Spring
8	K71-105-00	1	Magnet Kit containing: 1 #042-099-01 Magnet (white wire) 1 #027-009-00 Magnet Clip 1 #046-080-00 Magnet Spring
9	046-007-00	1	Adjuster Slot Plug
10	046-016-00	1	Wire Grommet
11	005-067-00	1	Anchor Post Washer
*12	006-193-00	5	Nut Washer Assembly

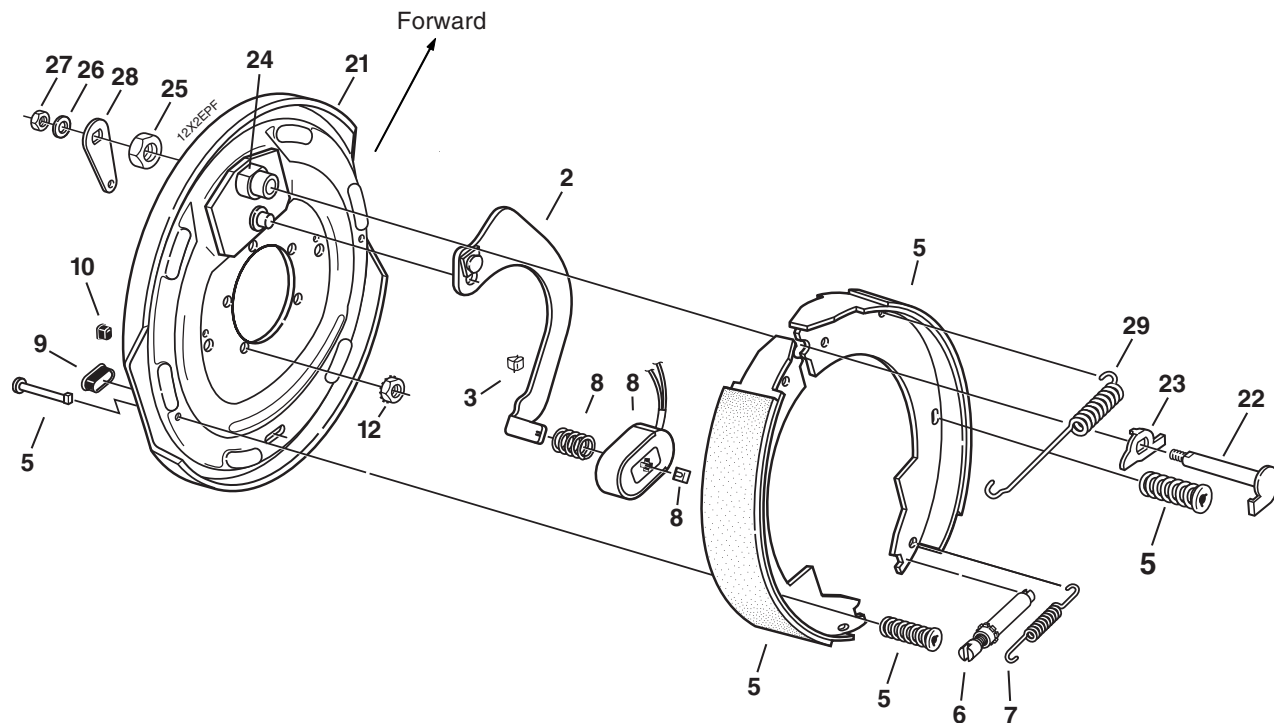
CSA approved at 6000#/14.2 SLR

**These brakes are rated to a maximum capacity of 6000 lbs. / pair**

DEXTER AXLE

# 12x2" ELECTRIC BRAKE WITH PARKING FEATURE

**5500 - 7000 LBS. CAPACITY**



## DXQ ELECTRIC PARKING BRAKE 6000#

Item	Part No.	Qty/Brk	Description
0	K23-112-00	1	LH Complete Brake Assembly
0	K23-113-00	1	RH Complete Brake Assembly (shown)
2	047-107-05	1	LH Actuating Lever Arm Assembly
2	047-108-05	1	RH Actuating Lever Arm Assembly
3	027-005-00	2	Wire Clip
5	K71-048-00	1	Shoe and Lining Kit containing: 1 #040-044-00 Primary S&L 1 #040-045-00 Secondary S&L 2 #049-011-00 Shoe Hold Down Pin #2 2 #046-077-00 Shoe Hold Down Spring & Cup
6	043-004-00	1	Adjuster Assembly
7	046-018-00	1	Adjusting Screw Spring
8	K71-105-00	1	Magnet Kit containing: 1 #042-099-01 Magnet (white wire) 1 #027-009-00 Magnet Clip 1 #046-080-00 Magnet Spring
9	046-007-00	1	Adjuster Slot Plug
10	046-016-00	1	Wire Grommet
*12	006-193-00	5	Nut Washer Assembly
20	036-089-08	1	LH Backing Plate Ass'y Complete (incl. #21-28)
20	036-089-09	1	RH Backing Plate Ass'y Complete (incl. #21-28)
21	036-089-06	1	LH Backing Plate Ass'y
21	036-089-07	1	RH Backing Plate Ass'y
22	039-025-00	1	LH Pivot Pin & Cam Sub-Assembly
22	039-026-00	1	RH Pivot Pin & Cam Sub-Assembly
23	039-048-00	1	LH Actuating Cam
23	039-049-00	1	RH Actuating Cam
24	038-068-00	1	Anchor Post & Bushing Sub-Assembly
25	006-047-00	1	Anchor Post Locknut
26	005-041-00	1	Washer
27	006-011-00	1	Pivot Pin Locknut
28	047-070-00	1	Parking Brake Lever
29	046-005-00	1	Retractor Spring

\* Not included with complete brake assembly. Items sold separately.

## ELECTRIC PARKING BRAKE 6000#

Item	Part No.	Qty/Brk	Description
0	K23-328-00	1	LH Complete Brake Assembly
0	K23-329-00	1	RH Complete Brake Assembly
2	047-107-05	1	LH Actuating Lever Arm Assembly
2	047-108-05	1	RH Actuating Lever Arm Assembly
3	027-005-00	2	Wire Clip
5	K71-127-00	1	Shoe and Lining Kit containing: 1 #040-215-00 Primary S&L 1 #040-216-00 Secondary S&L 2 #049-011-00 Shoe Hold Down Pin #2 2 #046-077-00 Shoe Hold Down Spring & Cup
6	043-004-00	1	Adjuster Assembly
7	046-018-00	1	Adjusting Screw Spring
8	K71-105-00	1	Magnet Kit containing: 1 #042-099-01 Magnet (white wire) 1 #027-009-00 Magnet Clip 1 #046-080-00 Magnet Spring
9	046-007-00	1	Adjuster Slot Plug
10	046-016-00	1	Wire Grommet
*12	006-193-00	5	Nut Washer Assembly
20	036-089-08	1	LH Backing Plate Ass'y Complete (incl. #21-28)
20	036-089-09	1	RH Backing Plate Ass'y Complete (incl. #21-28)
21	036-089-06	1	LH Backing Plate Ass'y
21	036-089-07	1	RH Backing Plate Ass'y
22	039-025-00	1	LH Pivot Pin & Cam Sub-Assembly
22	039-026-00	1	RH Pivot Pin & Cam Sub-Assembly
23	039-048-00	1	LH Actuating Cam
23	039-049-00	1	RH Actuating Cam
24	038-068-00	1	Anchor Post & Bushing Sub-Assembly
25	006-047-00	1	Anchor Post Locknut
26	005-041-00	1	Washer
27	006-011-00	1	Pivot Pin Locknut
28	047-070-00	1	Parking Brake Lever
29	046-005-00	1	Retractor Spring

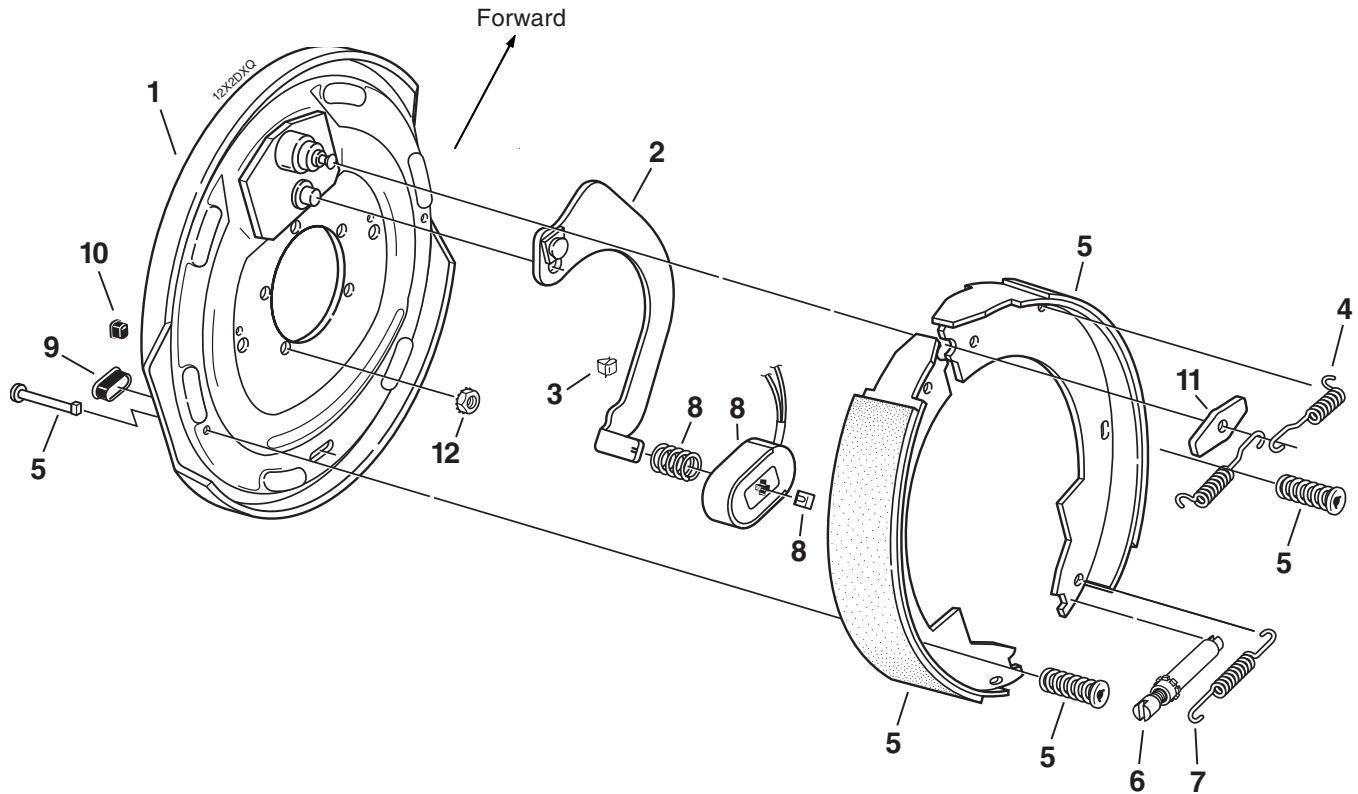
CSA approved at 6000#/14.2 SLR

**These brakes are rated to a maximum capacity of 6000 lbs. / pair**

**DEXTER AXLE**

# 12x2" 7K ELECTRIC BRAKE

5500 - 7000 LBS. CAPACITY



## ELECTRIC BRAKE 7000#

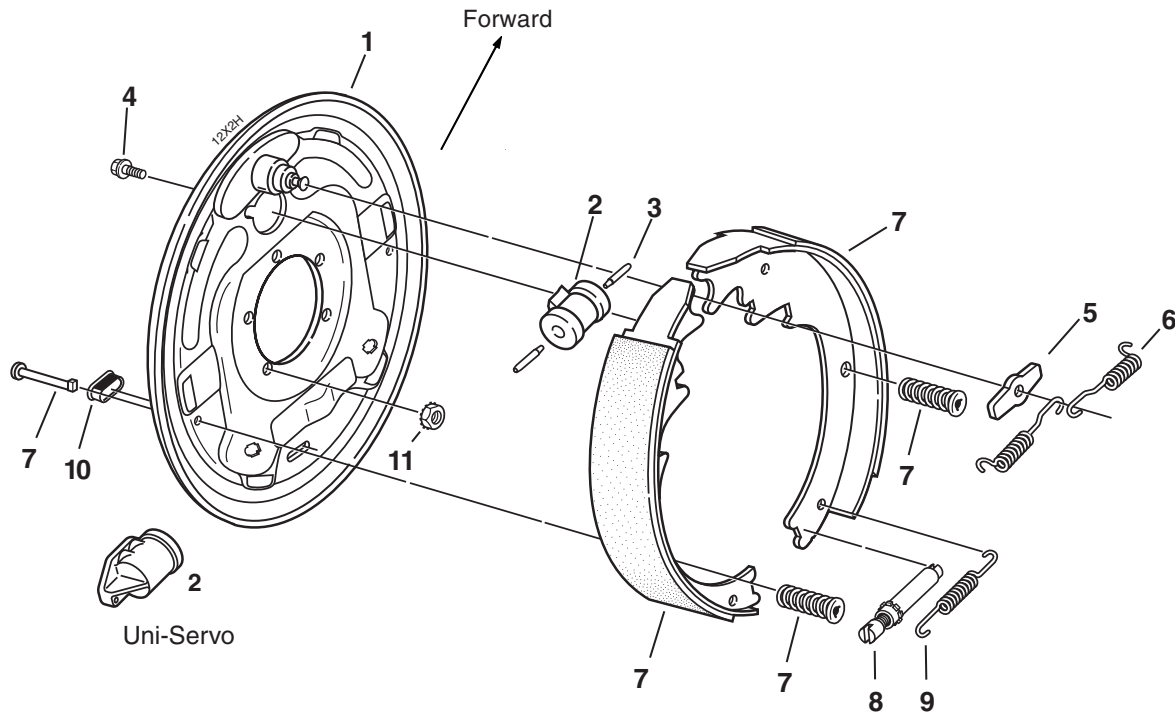
Item	Part No.	Qty/Brk	Description
0	K23-180-00	1	LH Complete Brake Assembly
0	K23-181-00	1	RH Complete Brake Assembly (shown)
1	036-089-10	1	Backing Plate Assembly
2	047-107-05	1	LH Actuating Lever Arm
2	047-108-05	1	RH Actuating Lever Arm
3	027-005-00	2	Wire Clip
4	046-009-00	2	Retractor Spring
5	K71-127-00	1	Shoe & Lining Kit containing: 1 #040-215-00 Primary S&L 1 #040-216-00 Secondary S&L 2 #049-011-00 Shoe Hold Down Pin #2 2 #046-077-00 Shoe Hold Down Spring & Cup
6	043-004-00	1	Adjuster Assembly
7	046-018-00	1	Adjusting Screw Spring
8	K71-125-00	1	Magnet Kit containing: 1 #042-101-01 Magnet (black wire) 1 #027-009-00 Magnet Clip 1 #046-080-00 Magnet Spring
9	046-007-00	1	Adjuster Slot Plug
10	046-016-00	1	Wire Grommet
11	005-067-00	1	Anchor Post Washer
*12	006-193-00	5	Nut Washer Assembly

\* Not included with complete brake assembly. Items sold separately.

DEXTER AXLE

# 12x2" HYDRAULIC BRAKE

5500 - 7000 LBS. CAPACITY



Note: Uni-servo brakes to be used with surge actuator

## HYDRAULIC BRAKE 7000#

Item	Part No.	Qty/Brk	Description
0	K23-338-00	1	LH Brake Assembly Complete-US
0	K23-339-00	1	RH Brake Assembly Complete-US (shown)
0	K23-336-00	1	LH Brake Assembly Complete-DS
0	K23-337-00	1	RH Brake Assembly Complete-DS (shown)
1	036-093-08	1	Backing Plate Assembly
2	054-064-00	1	LH Brake Cylinder Uni-Servo
2	054-065-00	1	RH Brake Cylinder Uni-Servo
2	054-062-00	1	LH Brake Cylinder Duo-Servo
2	054-063-00	1	RH Brake Cylinder Duo-Servo
3	054-060-00	1 or 2	Cylinder Push Rod US (1) DS (2)
4	087-001-00	2	Sems (screw & washer assembly)
5	005-113-00	1	Anchor Post Washer
6	046-101-00	2	Retractor Spring
7	K71-269-00	1	LH Shoe and Lining Kit containing: 1 #040-219-00 LH Primary S&L 1 #040-218-02 LH Secondary S&L 2 #046-077-00 Shoe Hold Down Spring & Cup 2 #049-012-00 Shoe Hold Down Pin #4
7	K71-270-00	1	RH Shoe and Lining Kit containing: 1 #040-219-00 RH Primary S&L 1 #040-218-01 RH Secondary S&L 2 #046-077-00 Shoe Hold Down Spring & Cup 2 #049-012-00 Shoe Hold Down Pin #4
8	043-029-00	1	Adjuster Assembly
9	046-102-00	1	Adjusting Screw Spring
10	046-007-00	1	Adjuster Slot Plug
*11	006-193-00	5	Nut Washer Assembly
ns	054-089-00	1	Bleeder Screw (included with item #2)

ns - not shown

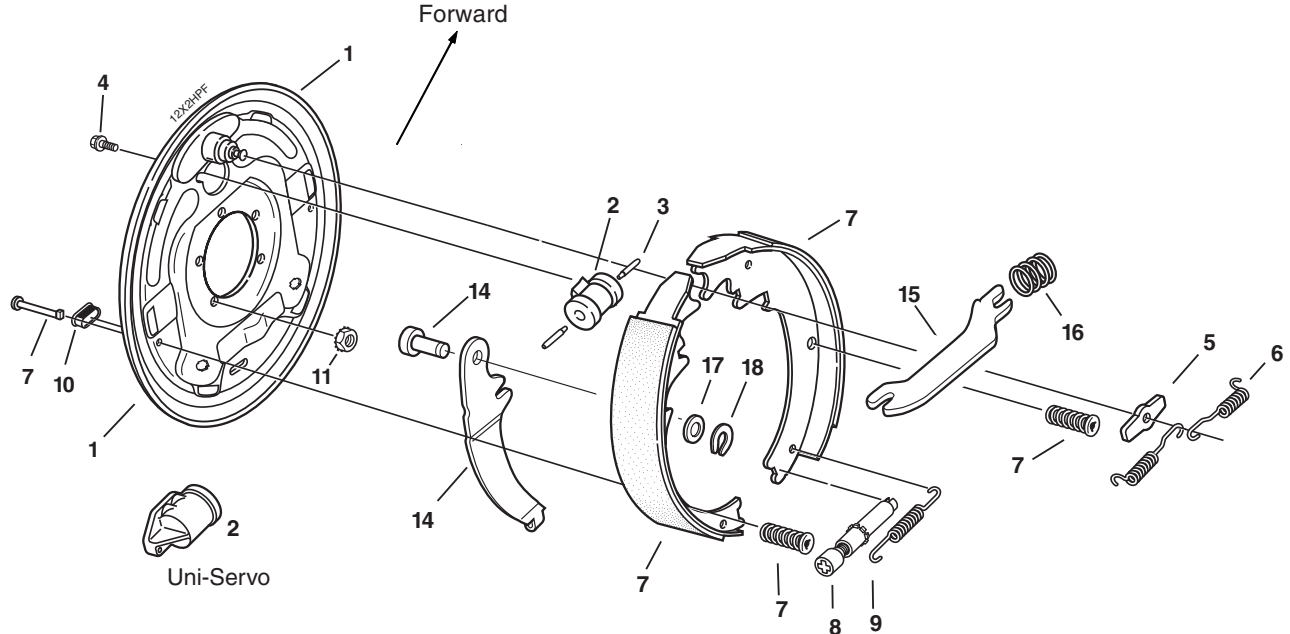
\* Not included with complete brake assembly. Items sold separately.

DEXTER AXLE



**5500 - 7000 LBS. CAPACITY**

# 12x2" HYDRAULIC BRAKE WITH PARKING FEATURE



Note: Uni-servo brakes to be used with surge actuator

## HYDRAULIC PARKING BRAKE 7000#

Item	Part No.	Qty/Brk	Description
0	K23-332-00	1	LH Brake Assembly Complete-DS
0	K23-333-00	1	RH Brake Assembly Complete-DS (shown)
0	K23-334-00	1	LH Brake Assembly Complete-US
0	K23-335-00	1	RH Brake Assembly Complete-US (shown)
1	036-093-15	1	LH Backing Plate Assembly
1	036-093-16	1	RH Backing Plate Assembly
2	054-062-00	1	LH Brake Cylinder Duo-Servo
2	054-063-00	1	RH Brake Cylinder Duo-Servo
2	054-064-00	1	LH Brake Cylinder Uni-Servo
2	054-065-00	1	RH Brake Cylinder Uni-Servo
3	054-060-00	1 or 2	Cylinder Push Rod US (1) DS (2)
4	087-001-00	2	Sems (screw & washer assembly)
5	005-113-00	1	Anchor Post Washer
6	046-101-00	2	Retractor Spring
7	K71-269-00	1	LH Shoe and Lining Kit containing: 1 #040-219-00 Primary S&L 1 #040-218-02 Secondary S&L 2 #046-077-00 Shoe Hold Down Spring & Cup 2 #049-012-00 Shoe Hold Down Pin #4
7	K71-270-00	1	RH Shoe and Lining Kit containing: 1 #040-219-00 Primary S&L 1 #040-218-01 Secondary S&L 2 #046-077-00 Shoe Hold Down Spring & Cup 2 #049-012-00 Shoe Hold Down Pin #4
8	043-029-00	1	Adjuster Assembly
9	046-102-00	1	Adjusting Screw Spring
10	046-007-00	1	Adjuster Slot Plug
*11	006-193-00	5	Nut Washer Assembly
14	047-110-01	1	LH Parking Lever and Pin
14	047-111-01	1	RH Parking Lever and Pin
15	047-109-00	1	Parking Strut
16	046-103-00	1	Parking Strut Spring
17	005-112-00	1	Spring Tension Washer
18	069-055-00	1	Retainer
ns	054-089-00	1	Bleeder Screw (included with item #2)
ns	071-515-00	1	Park Brake Cable

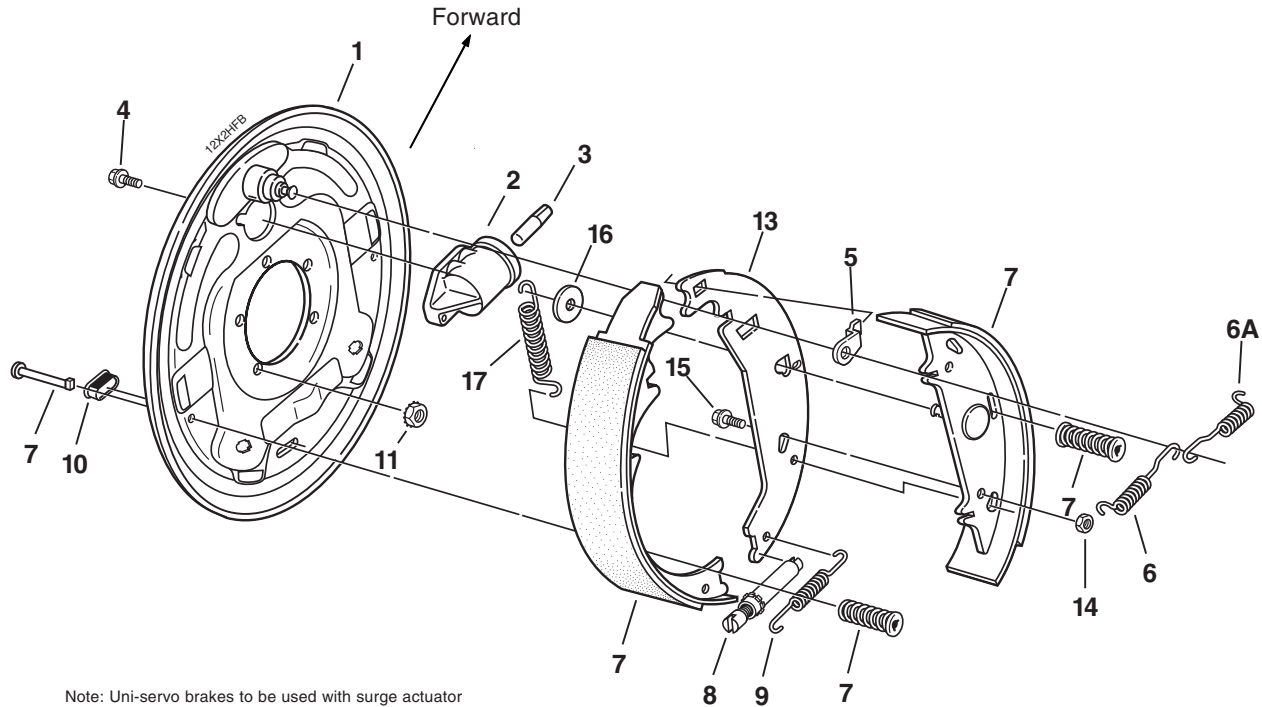
ns - not shown

\* Not included with complete brake assembly. Items sold separately.

**DEXTER AXLE**

# 12x2" HYDRAULIC BRAKE FREE BACKING

5500 - 7000 LBS. CAPACITY



Note: Uni-servo brakes to be used with surge actuator

## HYDRAULIC FREE BACKING BRAKE

Item	Part No.	Qty/Brk	Description
0	K23-342-00	1	LH Brake Assembly Complete
0	K23-343-00	1	RH Brake Assembly Complete (shown)
1	036-093-08	1	Backing Plate Assembly
2	054-064-00	1	LH Brake Cylinder Uni-Servo
2	054-065-00	1	RH Brake Cylinder Uni-Servo
3	054-060-00	1	Cylinder Push Rod
4	087-001-00	2	Sems (screw & washer assembly)
5	037-069-02	1	Travel Link
6	046-101-00	1	Retractor Spring
6A	046-107-01	1	Shoe Lever Return Spring
7	K71-394-00	1	LH Shoe and Lining Kit containing: 1 #040-243-08 LH Primary Shoe & Lining 1 #040-315-02 LH Secondary Shoe & Lining 1 #046-077-00 Shoe Hold Down Spring & Cup-Sec. 2 #035-001-00 Shoe Hold Down Cup-Primary 1 #046-006-00 Shoe Hold Down Spring-Primary 1 #049-013-00 Shoe Hold Down Pin #1-Primary 1 #049-002-00 Shoe Hold Down Pin #8- Sec.
7	K71-395-00	1	RH Shoe and Lining Kit containing: 1 #040-243-09 RH Primary Shoe & Lining 1 #040-315-01 RH Secondary Shoe & Lining 1 #046-077-00 Shoe Hold Down Spring & Cup-Sec. 2 #035-001-00 Shoe Hold Down Cup-Primary 1 #046-006-00 Shoe Hold Down Spring-Primary 1 #049-013-00 Shoe Hold Down Pin #1-Primary 1 #049-002-00 Shoe Hold Down Pin #8-Secondary
8	043-028-00	1	Adjuster Assembly
9	046-123-00	1	Adjusting Screw Spring
10	046-007-00	1	Adjuster Slot Plug
*11	006-193-00	5	Nut Washer Assembly
13	040-244-01	1	Shoe Lever
14	006-011-00	1	Locknut
15	007-210-00	1	Screw
16	005-064-00	1	Washer
17	046-108-01	1	Primary Shoe Return Spring
ns	054-089-00	1	Bleeder Screw (included with item #2)

ns - not shown

\* Not included with complete brake assembly. Items sold separately.

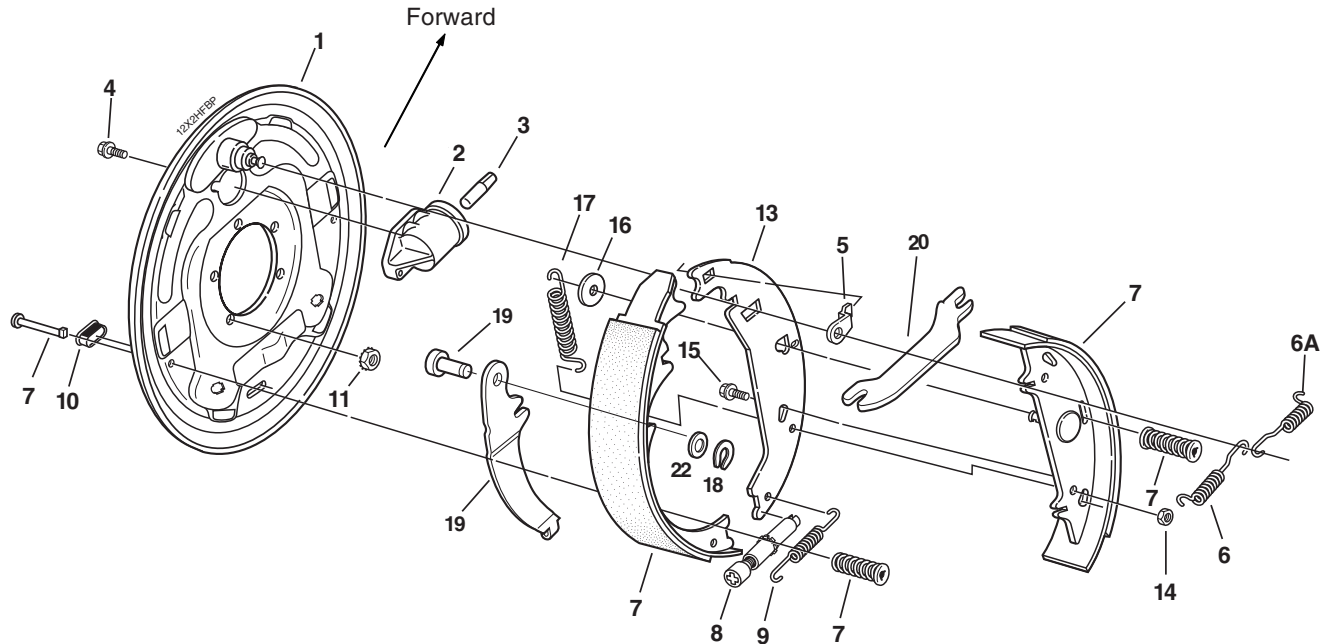
## HYDRAULIC FREE BACKING BRAKE CORROSION RESISTANT

Item	Part No.	Qty/Brk	Description
0	K23-342-01	1	LH Brake Assembly Complete
0	K23-343-01	1	RH Brake Assembly Complete
1	036-093-09	1	Backing Plate Assembly
2	054-064-01	1	LH Brake Cylinder Uni-Servo
2	054-065-01	1	RH Brake Cylinder Uni-Servo
3	054-060-00	1	Cylinder Push Rod
4	087-001-00	2	Sems (screw & washer assembly)
5	037-069-02	1	Travel Link
6	046-101-01	1	Retractor Spring
6A	046-107-03	1	Shoe Lever Return Spring
7	K71-427-00	1	LH Shoe and Lining Kit containing: 1 #040-243-06 LH Primary Shoe & Lining 1 #040-315-06 LH Secondary Shoe & Lining 1 #046-077-01 Shoe Hold Down Spring & Cup-Sec. 2 #035-001-00 Shoe Hold Down Cup-Primary 1 #046-006-01 Shoe Hold Down Spring & Cup-Primary 1 #049-013-00 Shoe Hold Down Pin #1-Primary 1 #049-002-00 Shoe Hold Down Pin #8- Sec.
7	K71-428-00	1	RH Shoe and Lining Kit containing: 1 #040-243-07 RH Primary Shoe & Lining 1 #040-315-05 RH Secondary Shoe & Lining 1 #046-077-01 Shoe Hold Down Spring & Cup-Sec. 2 #035-001-00 Shoe Hold Down Cup-Primary 1 #046-006-01 Shoe Hold Down Spring & Cup-Primary 1 #049-013-00 Shoe Hold Down Pin #1-Primary 1 #049-002-00 Shoe Hold Down Pin #8-Secondary
8	043-028-00	1	Adjuster Assembly
9	046-123-01	1	Adjusting Screw Spring
10	046-007-00	1	Adjuster Slot Plug
*11	006-193-00	5	Nut Washer Assembly
13	040-244-02	1	Shoe Lever
14	006-011-00	1	Locknut
15	007-210-00	1	Screw
16	005-064-00	1	Washer
17	046-108-03	1	Primary Shoe Return Spring
ns	054-089-00	1	Bleeder Screw (included with item #2)

DEXTER AXLE

# 12x2" HYDRAULIC BRAKE FREE BACKING WITH PARKING FEATURE

5500 - 7000 LBS. CAPACITY



Note: Uni-servo brakes to be used with surge actuator

## HYDRAULIC FREE BACKING PARKING BRAKE

Item	Part No.	Qty/Brk	Description
0	K23-340-00	1	LH Brake Assembly Complete
0	K23-341-00	1	RH Brake Assembly Complete (shown)
1	036-093-15	1	Backing Plate Assembly
1	036-093-16	1	Backing Plate Assembly
2	054-064-00	1	LH Brake Cylinder Uni-Servo
2	054-065-00	1	RH Brake Cylinder Uni-Servo
3	054-060-00	1	Cylinder Push Rod
4	087-001-00	2	Sems (screw & washer assembly)
5	037-069-02	1	Travel Link
6	046-101-00	1	Retractor Spring
6A	046-107-01	1	Shoe Lever Return Spring
7	K71-394-00	1	LH Shoe and Lining Kit containing: 1 #040-243-08 LH Primary Shoe & Lining 1 #040-315-02 LH Secondary Shoe & Lining 1 #046-077-00 Shoe Hold Down Spring & Cup-Sec. 2 #035-001-00 Shoe Hold Down Cup-Primary 1 #046-006-00 Shoe Hold Down Spring-Primary 1 #049-013-00 Shoe Hold Down Pin #1-Primary 1 #049-002-00 Shoe Hold Down Pin #8- Sec.
7	K71-395-00	1	RH Shoe and Lining Kit containing: 1 #040-243-09 RH Primary Shoe & Lining 1 #040-315-01 RH Secondary Shoe & Lining 1 #046-077-00 Shoe Hold Down Spring & Cup-Sec. 2 #035-001-00 Shoe Hold Down Cup-Primary 1 #046-006-00 Shoe Hold Down Spring-Primary 1 #049-013-00 Shoe Hold Down Pin #1-Primary 1 #049-002-00 Shoe Hold Down Pin #8-Secondary
8	043-028-00	1	Adjuster Assembly
9	046-123-00	1	Adjusting Screw Spring
10	046-007-00	1	Adjuster Slot Plug
*11	006-193-00	5	Nut Washer Assembly
13	040-244-01	1	Shoe Lever
14	006-011-00	1	Locknut
15	007-210-00	1	Screw
16	005-064-00	1	Washer
17	046-108-01	1	Primary Shoe Return Spring
18	069-055-00	1	Retainer
19	047-110-01	1	LH Parking Lever and Pin
19	047-111-01	1	RH Parking Lever and Pin
20	047-119-01	1	Strut for Parking Brake
22	005-112-00	1	Washer
ns	054-089-00	1	Bleeder Screw (included with item #2)
ns	071-515-00	1	Park Brake Cable

ns - not shown

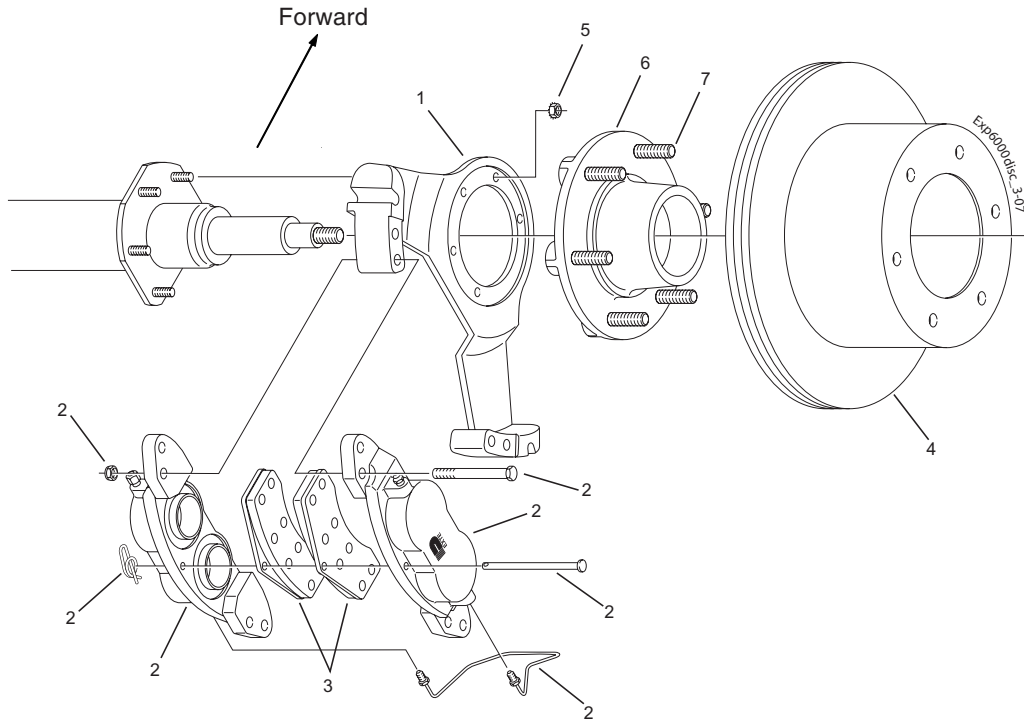
\* Not included with complete brake assembly. Items sold separately.

## HYDRAULIC FREE BACKING PARKING BRAKE CORROSION RESISTANT

Item	Part No.	Qty/Brk	Description
0	K23-340-01	1	LH Brake Assembly Complete
0	K23-341-01	1	RH Brake Assembly Complete
1	036-093-17	1	LH Backing Plate Assembly
1	036-093-18	1	RH Backing Plate Assembly
2	054-064-01	1	LH Brake Cylinder Uni-Servo
2	054-065-01	1	RH Brake Cylinder Uni-Servo
3	054-060-00	1	Cylinder Push Rod
4	087-001-00	2	Sems (screw & washer assembly)
5	037-069-02	1	Travel Link
6	046-101-01	1	Retractor Spring
6A	046-107-03	1	Shoe Lever Return Spring
7	K71-427-00	1	LH Shoe and Lining Kit containing: 1 #040-243-06 LH Primary Shoe & Lining 1 #040-315-06 LH Secondary Shoe & Lining 1 #046-077-01 Shoe Hold Down Spring & Cup-Sec. 2 #035-001-00 Shoe Hold Down Cup-Primary 1 #046-006-01 Shoe Hold Down Spring & Cup-Primary
7	K71-428-00	1	RH Shoe and Lining Kit containing: 1 #040-243-07 RH Primary Shoe & Lining 1 #040-315-05 RH Secondary Shoe & Lining 1 #046-077-01 Shoe Hold Down Spring & Cup-Sec. 2 #035-001-00 Shoe Hold Down Cup-Primary 1 #046-006-01 Shoe Hold Down Spring & Cup-Primary
8	043-028-00	1	Adjuster Assembly
9	046-123-01	1	Adjusting Screw Spring
10	046-007-00	1	Adjuster Slot Plug
*11	006-193-00	5	Nut Washer Assembly
13	040-244-02	1	Shoe Lever
14	006-011-00	1	Locknut
15	007-210-00	1	Screw
16	005-064-00	1	Washer
17	046-108-03	1	Primary Shoe Return Spring
18	069-055-00	1	Retainer
19	047-110-01	1	LH Parking Lever and Pin
19	047-111-01	1	RH Parking Lever and Pin
20	047-119-01	1	Strut for Parking Brake
22	005-112-00	1	Washer
ns	054-089-00	1	Bleeder Screw (included with item #2)

DEXTER AXLE

# DISC BRAKE FOR 6,000 LB. AXLES



## DISC BRAKE 6000#

Item	Part No.	Qty/Brk	Description
1	090-005-01	1	Anchor Yoke LH
	090-005-02	1	Anchor Yoke RH (shown)
2	K71-636-00	1	Caliper Assembly Kit for LH or RH includes:
	2 089-005-02		Assembled Caliper Half
	1 054-092-00		Bleeder Screw
	1 054-094-00		Adapter Fitting
	4 007-254-00		Caliper Mounting Bolt
	1 056-038-00		Pad Retaining Pin
	4 006-045-00		Caliper Mounting Nut
	1 019-019-00		Cotter Ring
	1 071-513-00		Cross Over Hydraulic Line (yokes without notch)
	1 071-517-00		Cross Over Hydraulic Line (yokes with notch)
3	K71-629-00	1	Brake Pad Kit (axle set)
4	K71-637-00	1	Rotor Kit
5	006-193-00	5	3/8" Brake Mounting Nut-Washer Assembly

## DISC BRAKE HUBS & STUDS

Item	Part No.	Qty/Brk	Description
6	008-403-05	1	Grease 1/2" Studs 6 on 5.50
7	007-262-00	6	1/2"-20 x 2.50" Press-in Stud

## DISC BRAKE 6000# WITH 42MM NEV-R-LUBE™

Item	Part No.	Qty/Brk	Description
1	090-006-01	1	Anchor Yoke LH
	090-006-02	1	Anchor Yoke RH
2	K71-636-00	1	Caliper Assembly Kit for LH or RH includes:
	2 089-005-02		Assembled Caliper Half
	1 054-092-00		Bleeder Screw
	1 054-094-00		Adapter Fitting
	4 007-254-00		Caliper Mounting Bolt
	1 056-038-00		Pad Retaining Pin
	4 006-045-00		Caliper Mounting Nut
	1 019-019-00		Cotter Ring
	1 071-513-00		Cross Over Hydraulic Line (yokes without notch)
	1 071-517-00		Cross Over Hydraulic Line (yokes with notch)
3	K71-629-00	1	Brake Pad Kit (axle set)
4	K71-637-00	1	Rotor Kit
5	006-193-00	5	3/8" Brake Mounting Nut-Washer Assembly

## NEV-R-LUBE™ DISC BRAKE HUBS

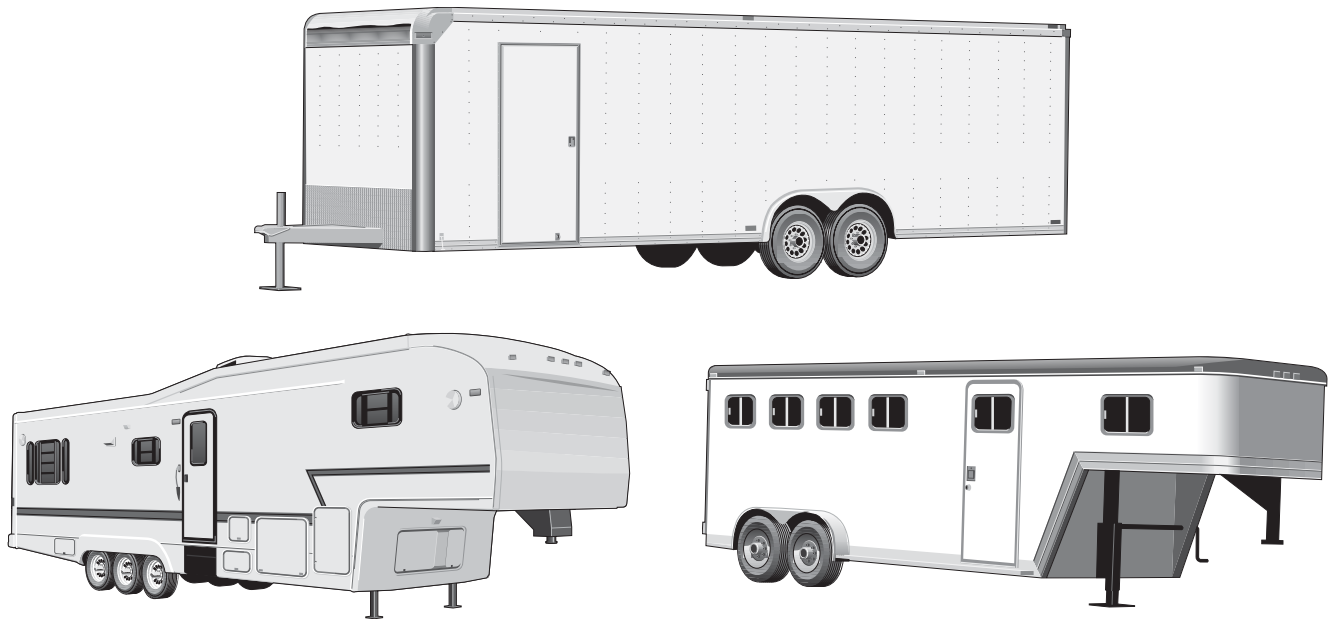
Item	Part No.	Qty/Brk	Description
6	008-404-80	1	1/2" Studs, 42mm 6 on 5.50
7	007-262-00	6	1/2"-20 x 2.50" Press-in Stud

**5500 - 7000 LBS. CAPACITY**

**DEXTER AXLE**

# AIRFLEX™ LIGHT TRAILER SUSPENSION SYSTEM

5500 - 7000 LBS. CAPACITY



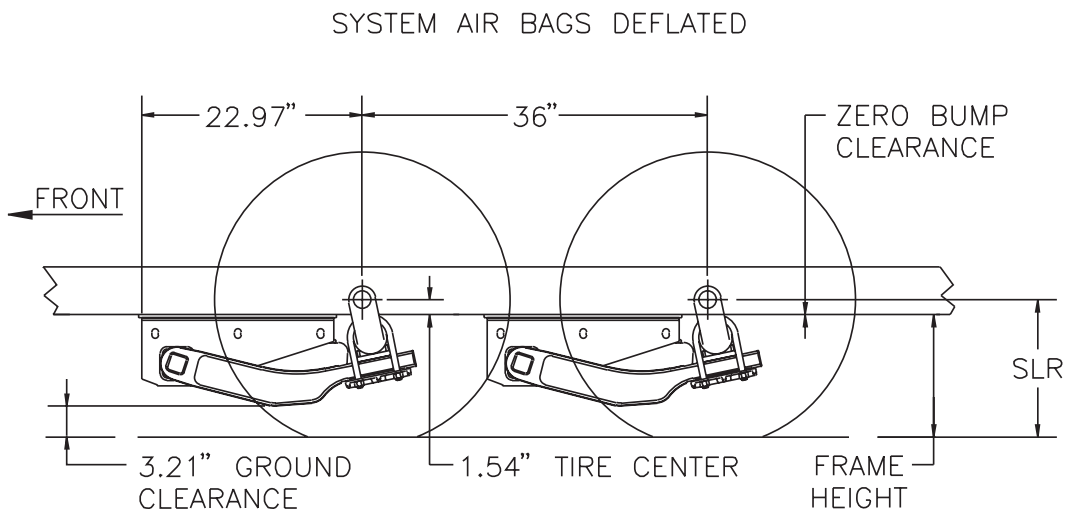
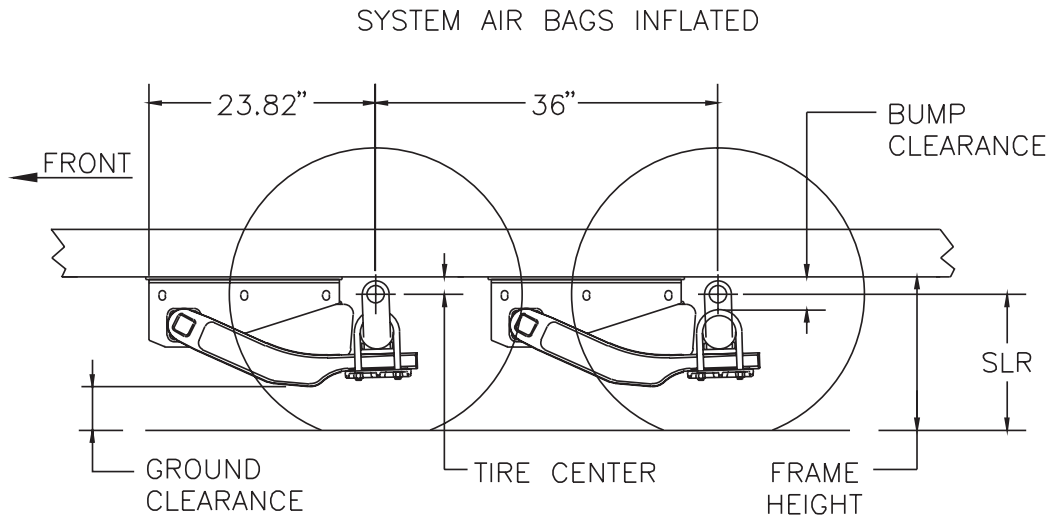
- Suspension and axle come fully assembled for easy installation
- The suspension maintains a constant trailer floor height regardless of cargo weight
- The suspension isolates the cargo from road shock using air springs and Torflex® technology
- Designed for 6,000 to 8,000 lb. axle capacities
- Adjustable axle seats provided to align axle
- Bolt-on side mount brackets come standard
- Air control kits are available
- Straight, 4" drop, or Nev-R-Lube™ spindle options are available
- Electric drum, hydraulic drum, and hydraulic disc brakes options are available
- 2 year limited warranty on axle and suspension



DEXTER AXLE

# AIRFLEX™ APPLICATION INFORMATION

5500 - 7000 LBS. CAPACITY



## SUSPENSION DIMENSIONS

	LT235/85R16 Tire	215/75R17.5HC Tire
Frame Height		
4" drop spindle	16.28"	15.98"
With bags deflated	12.78"	12.48"
Tire Center		
4" drop spindle	1.88"	1.88"
Ground Clearance		
4" drop spindle	4.68"	4.38"
Static Bump Clearance		
4" drop spindle	3.5"	3.5"

All dimensions are with axle loaded to capacity and air bags inflated

For straight spindles add 4" to frame height, tire center, and ground clearance dimensions

## DIFFERENCE BETWEEN HUB FACE AND OUTSIDE MOUNTING BRACKETS

Axle Type	Minimum	Recommended	Maximum
D60-70 Straight	11.50"	14.00"	21.50"
D60-70 Drop	16.50"	16.50"	21.50"

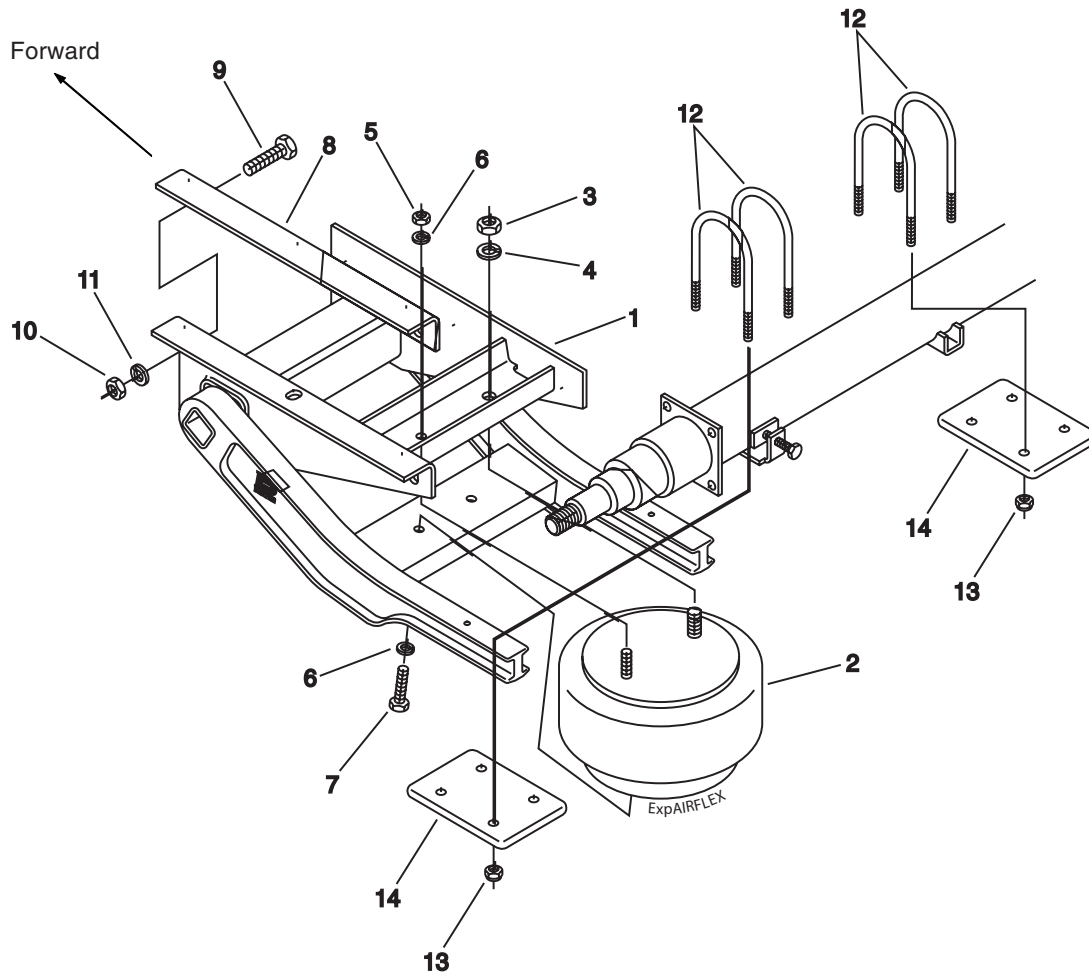
Requires 3.50" diameter x 0.50" wall tubing.

DEXTER AXLE



# AIRFLEX™ FOR 7,000 LB. AXLES

5500 - 7000 LBS. CAPACITY



## AIRFLEX™ SUSPENSION COMPONENTS 7000#

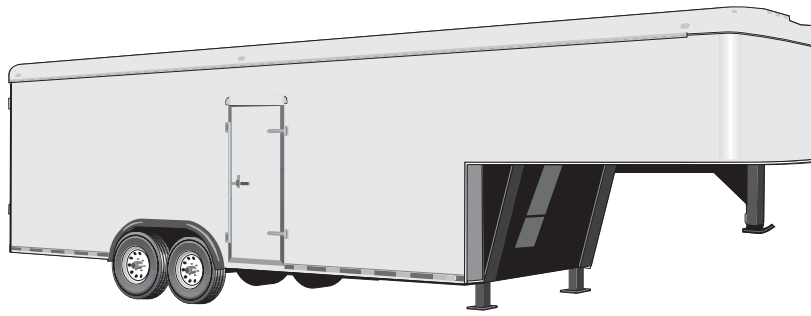
Item	Part No.	Qty/Axle	Description
1	003-272-00	1	LH Suspension Assembly (incl. items #2-11) (shown)
1	003-273-00	1	RH Suspension Assembly (incl. items #2-11)
<b>Air Spring &amp; Mounting Hardware</b>			
2	034-279-00	2	Air Spring
3	006-122-01	2	3/4"-16 Jam Nut
4	005-143-00	2	3/4" Lock Washer
5	006-116-00	2	1/2"-13 Hex Nut
6	005-058-00	6	1/2" Lock Washer
7	007-259-00	4	1/2"-13 Hex Bolt
<b>Suspension Mounting Hardware</b>			
8	003-261-00	2	Side Mount Bracket
9	007-177-00	6	5/8" Mounting Bolt
10	006-126-00	6	3/8" Lock Nut
11	005-111-00	6	5/8" Washer
<b>Axle Attaching Hardware</b>			
12	011-089-01	8	5/8" U-Bolt
13	006-038-00	16	3/8" Lock Nut
14	012-060-02	4	Tie Plate
<b>Air Supply Kits</b>			
ns	K71-632-01	-	Tandem Plumbing Kit with Ride Height Control Valve
ns	K71-632-02	-	Air Generation Kit (includes compressor and tank)
ns	K71-632-03	-	Manual Dump Valve Kit
ns	K71-632-04	-	Tri-Axle Conversion Plumbing Kit

ns - not shown

DEXTER AXLE



# GENERAL APPLICATIONS



**7200 LBS. CAPACITY**

## AXLE TYPES

### 7200 lbs. capacity

- Complete service manual
- Precision machined steel spindles and integral cast iron hub/drums
- Finned brake drums for better heat dissipation
- $\frac{9}{16}$ " or  $\frac{5}{8}$ " press-in wheel studs
- Improved bearing package; unitized seals
- Standard grease lubrication; optional oil bath; E-Z Lube® option
- $12\frac{1}{4}$  x  $2\frac{1}{2}$ " electric brakes, CSA approved at 7100#
- Inner wiring system for easier installation and protection of brake wiring



- Totally rubber-cushioned for smooth, quiet independent ride
- Easy installation with less maintenance
- Less transfer of road shock which insulates cargo from road shocks and vibration
- Rubber cords compounded for maximum dependability and durability
- Load-carrying cross member
- Self-damping action
- Independent wheel suspension system
- 5 year limited warranty on suspension system
- Low profile for maximum road clearance
- Various starting angles to control trailer height
- High and low profile brackets with optional mounting brackets available
- Rubber cushioning eliminates metal-to-metal contact
- Shock absorption provided by the natural hysteresis of rubber
- Single or tandem axle assemblies
- Durable, wear-resistant components

### D72 LEAF SPRING

- Heavy wall 3" diameter tube
- Straight or Drop spindles (4" drop only)
- High quality alloy steel springs in different capacities



- Single, tandem or triple axle assemblies with equalized suspensions
- Slipper leaf spring suspension
- Heavy duty suspension parts available
- Optional rubber bushed suspension
- Optional hanger and attaching parts kits available
- Durable, wear-resistant components
- 2 year limited warranty

### CAUTION:

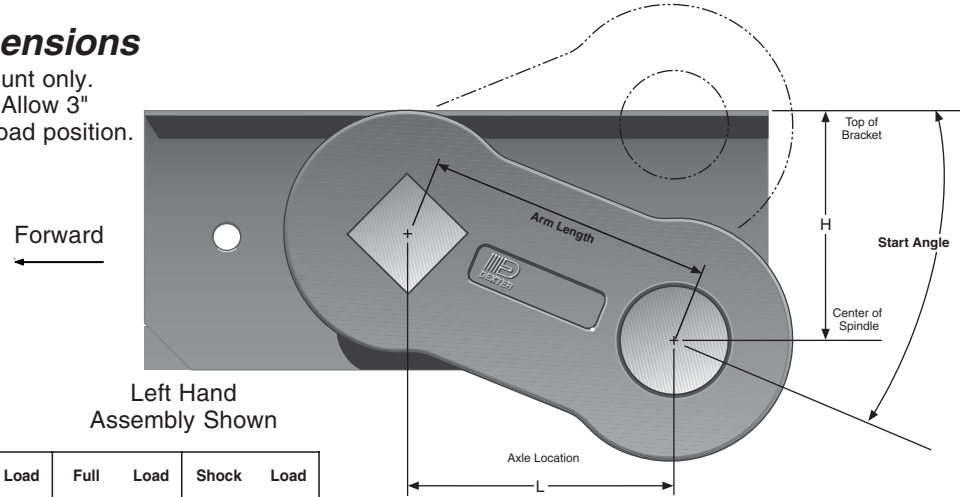
*Triple axle assemblies are NOT recommended for Torflex® axles.*

**DEXTER AXLE**



## Articulation Dimensions

Dimensions are for top mount only. Side mount is .31" higher. Allow 3" bump clearance from full load position.



Left Hand Assembly Shown

Start Angle	Bracket Profile	No Load		Full Load		Shock Load	
		H	L	H	L	H	L
45° down	Low	6.24	4.24	4.30	5.54	3.30	5.86
	High	6.99	4.24	5.05	5.54	4.05	5.86
22.5° down	Low	4.30	5.54	2.00	6.00	0.96	5.91
	High	5.05	5.54	2.75	6.00	1.71	5.91
10° down	Low	3.04	5.91	0.70	5.86	-0.30	5.54
	High	3.79	5.91	1.45	5.86	0.45	5.54
0°	Low	2.00	6.00	-0.30	5.54	-1.22	5.06
	High	2.75	6.00	0.45	5.54	-0.47	5.06
10° up	Low	0.96	5.91	-1.22	5.06	-2.05	4.42
	High	1.71	5.91	-0.47	5.06	-1.30	4.42
22.5° up	Low	-0.30	5.54	-2.24	4.24	-2.91	3.44
	High	0.45	5.54	-1.49	4.24	-2.16	3.44

### #12V OVERHANG PER SIDE

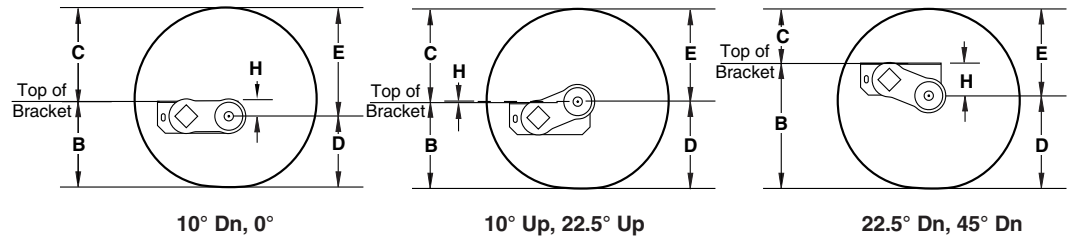
Spindle	Min.	Max.
Standard	7.00"	14.77"

Note: Positive numbers in the H column indicate the spindle is BELOW the top of the bracket. Conversely, negative numbers are ABOVE the top of the bracket.



## Full Load Dimensions

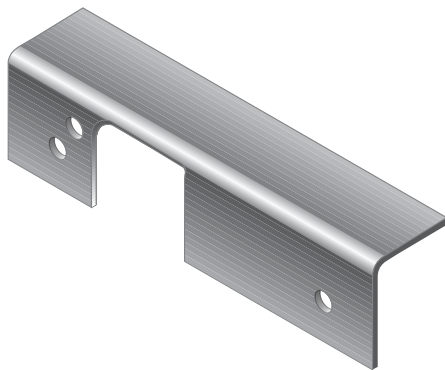
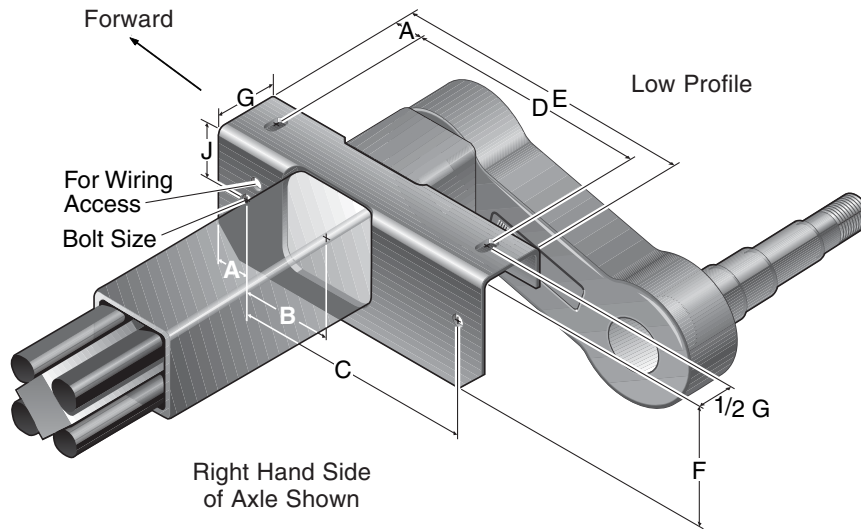
Dimensions are for low profile, top mount only. High profile brackets are .75" higher. Side mount is .31" higher. Allow 3" bump clearance from full load position.



### START ANGLE

Tire	45° Down			22.5° Down			10° Down			0°			10° Up			22.5° Up			D	E
	H	B	C	H	B	C	H	B	C	H	B	C	H	B	C	H	B	C		
LT235/85R16	4.3	18.6	11.1	2.0	16.3	13.4	0.7	15.0	14.7	-0.3	14.0	15.7	-1.2	13.1	16.6	-2.2	12.1	17.6	14.3	15.4
7.50-16LT	4.3	19.2	12.4	2.0	16.9	14.7	0.7	15.6	16.0	-0.3	14.6	17.0	-1.2	13.7	17.9	-2.2	12.7	18.9	14.9	16.7
9.50-16.5LT	4.3	18.4	10.9	2.0	16.1	13.2	0.7	14.8	14.5	-0.3	13.8	15.5	-1.2	12.9	16.4	-2.2	11.9	17.4	14.1	15.2

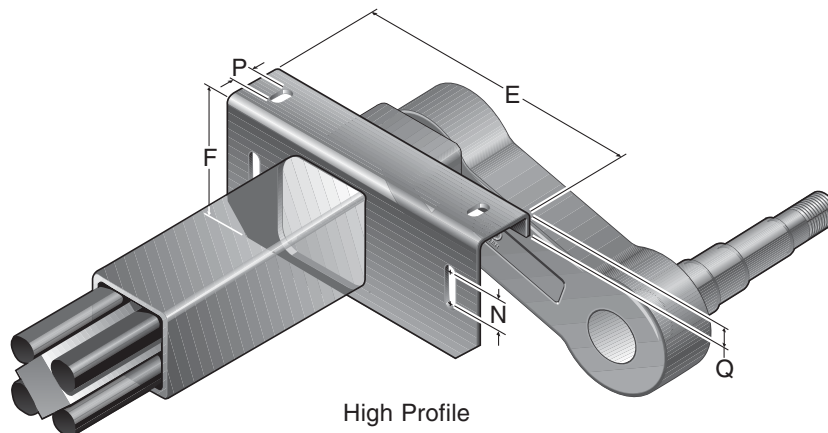
## Bracket Dimensions



Side Mount Hanger

### #12V BRACKET DIMENSIONS

	Low	High
A	1.25	1.25
B	3.50	3.50
C	9.50	9.50
D	9.00	9.00
E	12.00	12.00
F	4.37	5.12
G	2.50	2.50
J	2.06	2.06
N	----	1.03
P	----	1.00
Q	----	1.00
Bolt size <sup>5</sup> / <sub>8</sub> " bolt		
Tube Size		
	3.50	3.50



# LEAF SPRING APPLICATION INFORMATION

**7200 LBS. CAPACITY**

## SLIPPER SPRING AXLE ASSEMBLIES

Hanger Kits			Quantity Per Kit		
Part No.	Description	Ht.	HGR-138-00	HGR-238-00	HGR-338-00
028-009-01	Front Hanger	5.00	2	2	2
029-005-01	Center Hanger	4.50	----	2	4
030-006-01	Rear Hanger	6.38	2	2	2

Attaching Parts Kit		A/P-103-00	A/P-202-00 <sup>§</sup>	A/P-216-00 <sup>‡</sup>	A/P-302-00 <sup>§</sup>	A/P-316-00 <sup>‡</sup>
006-007-01	9/16-18 Locknut	2	4	4	6	6
006-011-00	Keeper Nut	2	4	4	6	6
006-111-00	Equalizer Nut	----	2	2	4	4
007-001-01	Equalizer Bolt	----	2	2	4	4
007-007-00	Keeper Bolt	2	4	4	6	6
007-017-00	Spring Eye Bolt	2	4	4	6	6
013-004-00	Equalizer	----	2	----	4	----
013-044-01	Equalizer	----	----	2	----	4

§ For 33.5" axle spacing    ‡ For 36" axle spacing

## SLIPPER SPRINGS

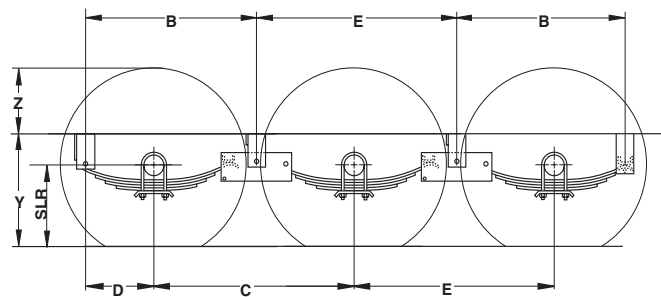
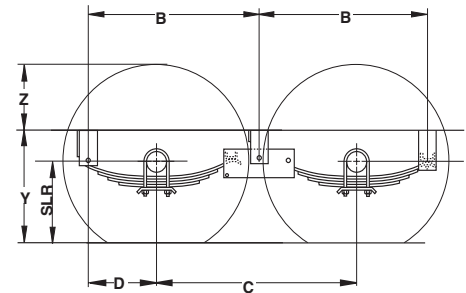
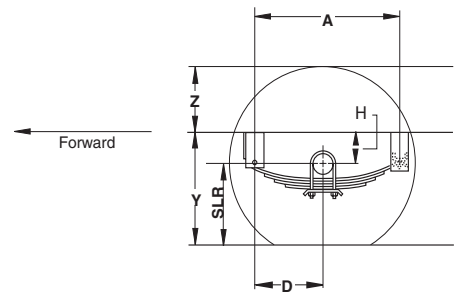
	Single A/P-103-00	Tandem A/P-202-00 <sup>§</sup> A/P-216-00 <sup>‡</sup>		Triple A/P-302-00 <sup>§</sup> A/P-316-00 <sup>‡</sup>	
A	24.0	----	----	----	----
B	----	28.8	30.4	28.8	30.4
C	----	33.5	36.0	33.5	36.0
D	11.5	11.5	11.5	11.5	11.5
E	----	----	----	33.0	35.0

Note: All 2" Wide Slipper Springs

A , B , E - Hanger Spacing  
 C - Axle Spacing  
 D - Axle Location  
 H - Center of Spindle  
 Y - Frame Height  
 Z - Top of Tire to Bottom of Frame  
 SLR - Static Load Radius

Contact your local sales engineer or distributor to run ProSpec™ to determine Y, Z, SLR.

Some combinations of hangers and spring mounting may result in insufficient bump clearance. For additional Hanger kits, AP kits or other tires, refer to pages 85-87.



## D72 OVERHANG PER SIDE

	Min.	Max.
Straight	7.00"	9.00"
4" Drop	7.87"	9.00"

### Single axles

require 1 HAP-105-00 kit

### Tandem axles

require 1 HAP-105-00 kit and 1 HAP-205-01 kits

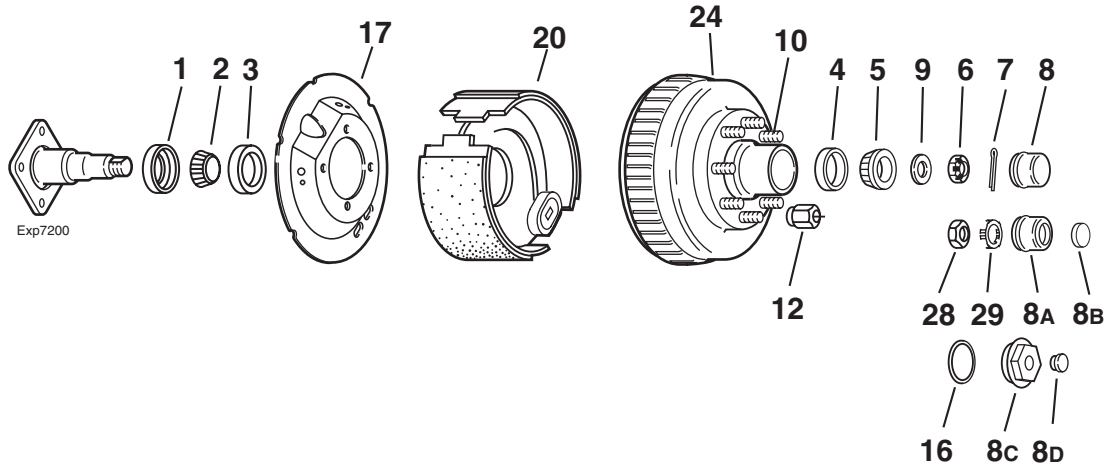
### Triple axles

require 1 HAP-105-00 kit and 2 HAP-205-01 kits

## RUBBER BUSHED SUSPENSION

Part No.	Description	Ht.	HAP-105-00	HAP-205-01
028-068-02	Front Hanger	5.50"	2	----
029-039-04	Center Hanger	4.50"	----	2
030-068-02	Rear Hanger	4.85"	2	----
006-011-00	9/16-18 UNC Locknut		2	2
006-038-00	5/8-11 UNC Locknut		2	2
006-112-00	1-8 UNC Locknut		----	2
007-007-00	Keeper Bolt		2	2
007-181-00	Spring Eye Bolt		2	2
007-182-00	Equalizer Bolt		----	2
013-117-03	Equalizer		----	2
059-200-00	Decal		1	1
059-203-00	Instruction Sheet		1	1

**DEXTER AXLE**



## GREASE LUBE PARTS

Item	Part No.	Description
1	010-036-00	Seal
2	031-030-02	25580 Inner Bearing Cone
3	031-030-01	25520 Inner Bearing Cup
4	031-028-01	Outer Bearing Cup (02420)
5	031-028-02	Outer Bearing Cone (02475)
6	006-001-00	Spindle Nut
7	019-002-00	Cotter Pin (not used on E-Z Lube®)
8	021-039-00	Grease Cap
8A	021-043-01	Grease Cap E-Z Lube®
8B	085-001-00	E-Z Lube® Plug
9	005-057-00	Spindle Washer
28	006-191-00	Special Jam Nut for E-Z Lube® (after 2002)
29	006-190-00	Spindle Nut Retainer for E-Z Lube® (after 2002)

## OIL LUBE PARTS

Item	Part No.	Description
1	010-063-00	Seal (Unitized)
2	031-030-02	25580 Inner Bearing Cone
3	031-030-01	25520 Inner Bearing Cup
4	031-028-01	Outer Bearing Cup (02420)
5	031-028-02	Outer Bearing Cone (02475)
6	006-001-00	Spindle Nut
7	019-002-00	Cotter Pin
9	005-057-00	Spindle Washer
8C	021-035-00	Oil Cap
8D	046-032-00	Oil Cap Plug
ns	046-052-00	Oil Filler Plug (service part only)
16	010-045-00	'O' Ring for Oil Lube

## STUDS & WHEEL NUTS

Item	Part No.	Description
10	007-224-00	5/8"-18 Press-in Stud
10	007-223-00	9/16"-18 Press-in Stud
12	006-053-00	9/16"-18 60° Cone Nut
12	006-109-00	5/8"-18 90° Cone Nut
ns	006-058-00	5/8"-18 Flange Nut

## HUBS

(After May 2000 for cast backing plate brakes)

Item	Part No.	Description	Bolt Circle
24	008-393-04	Grease 9/16" studs	8 on 6.50
24	008-393-06	Grease 5/8" studs	8 on 6.50
24	008-393-03	Oil 9/16" studs	8 on 6.50
24	008-393-05	Oil 5/8" studs	8 on 6.50

## BRAKES

(After May 2000 with cast backing plate brakes)

Item	Part No.	Description
17	036-118-20	Dust Shield not included with brake assembly
20	K23-429-00	RH12¼ x 2½" Electric Brakes
20	K23-428-00	LH 12¼ x 2½" Electric Brakes

Service Parts-Not Interchangeable With Cast Parts

## HUBS

(Before May 2000 for stamped backing plate brakes)

Item	Part No.	Description	Bolt Circle
24	008-355-13	Grease 9/16" studs	8 on 6.50
24	008-355-15	Grease 5/8" studs	8 on 6.50
24	008-355-12	Oil 9/16" studs	8 on 6.50
24	008-355-14	Oil 5/8" studs	8 on 6.50

## BRAKES

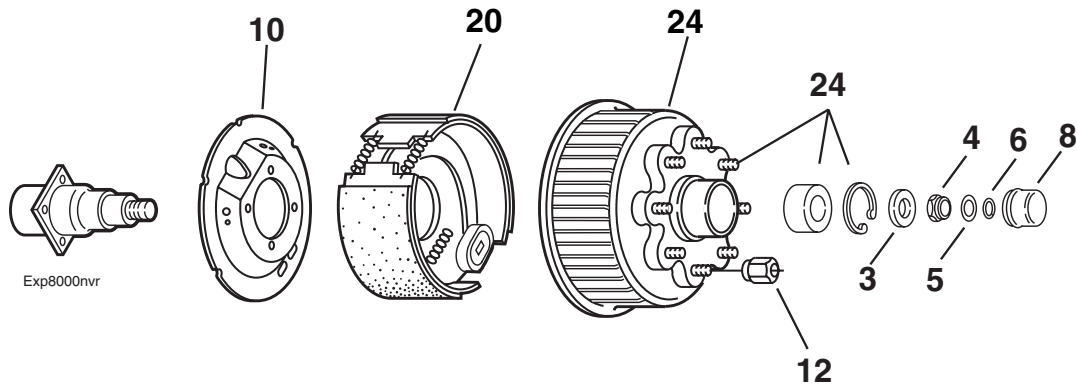
(Before May 2000 with stamped backing plate brakes)

Item	Part No.	Description
17	036-110-00	Dust Shield (top) included with Brake Assembly
17	036-110-01	Dust Shield (bottom) included with Brake Assembly
20	K23-369-00	RH12¼ x 2½" Electric Brakes
20	K23-370-00	LH 12¼ x 2½" Electric Brakes

ns - not shown

**7200 LBS. CAPACITY**

# 865 NEV-R-LUBE™ HUB GROUP



## NEV-R-LUBE™ PARTS 50MM

Item	Part No.	Description
3	005-149-00	Spindle Washer
4	006-183-00	Spindle Nut
5	092-002-00	Washer, Torque Label
6	069-096-00	Snap Ring
8	021-086-00	Hub Cap

## 12¼ X 2½ BRAKES

Item	Part No.	Description
10	036-118-20	Dust Shield
20	K23-428-00/K23-429-00	LH/RH Manual Adjust Electric Brake

## HUBS WITH BEARING & WHEEL STUDS

Item	Part No.	Description	Bolt Circle
24	008-395-80	Hub & Drum includes: 007-223-00 9/16" Press-in Studs 031-071-03 50 mm Bearing Cartridge 069-093-00 Bearing Retainer	8 on 6.50
ns	008-395-81	Hub & Drum includes: 007-224-00 5/8" Press-in Studs 031-071-03 50 mm Bearing Cartridge 069-093-00 Bearing Retainer	8 on 6.50

## WHEEL NUTS

Item	Part No.	Description
12	006-053-00	9/16"-18 60° Cone Nut
ns	006-109-00	5/8"-18 90° Cone Nut
ns	006-058-00	5/8"-18 Flange Nut

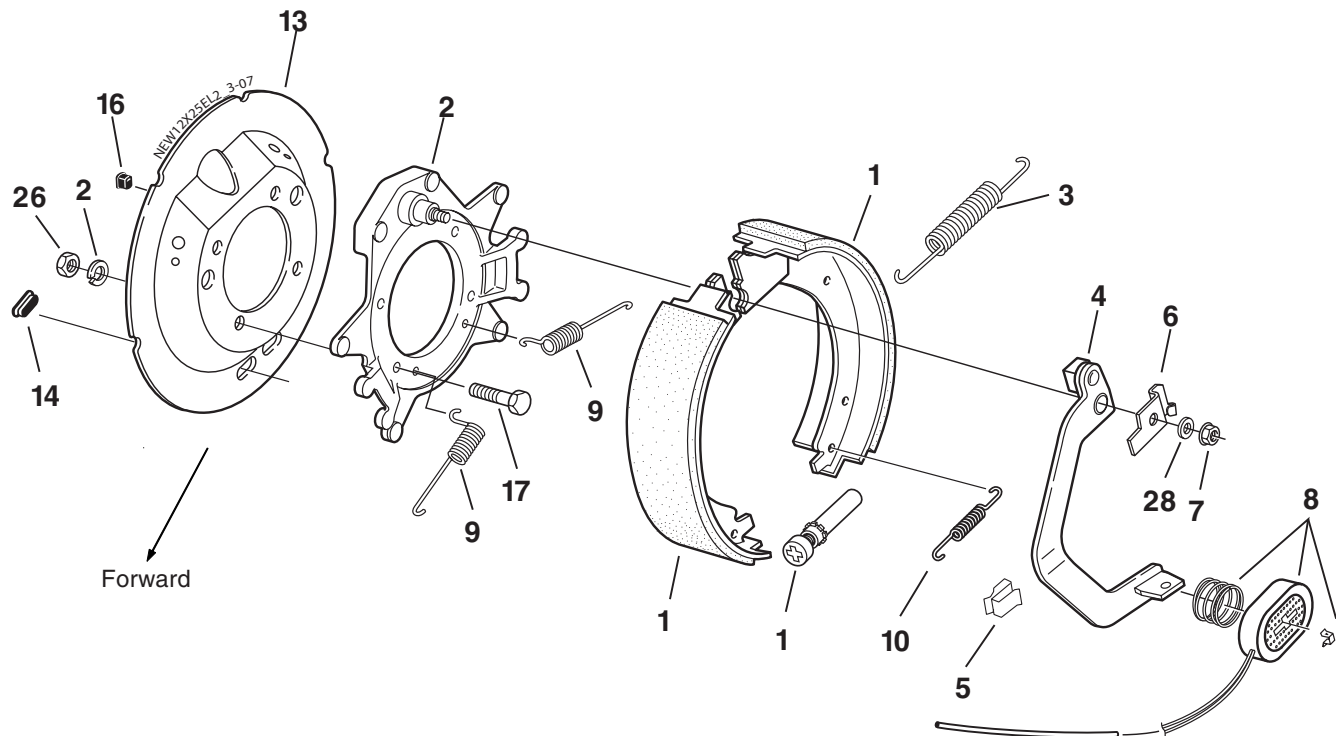
ns - not shown

**DEXTER AXLE**

# 12<sup>1</sup>/<sub>4</sub> x 2<sup>1</sup>/<sub>2</sub>" ELECTRIC BRAKE - CAST BACKING PLATE

CSA approved at 7100#/14.2 SLR

7200 LBS. CAPACITY



## ELECTRIC BRAKE

Item	Part No.	Qty/Brk	Description
0	K23-428-00	1	LH Complete Brake Assembly (shown)
0	K23-429-00	1	RH Complete Brake Assembly
1	K71-497-00	1	LH Shoe & Lining Kit containing: 1 #040-348-01 LH Primary S&L 1 #040-349-02 LH Secondary S&L
1	K71-496-00	1	RH Shoe & Lining Kit containing: 1 #040-349-01 RH Primary S&L 1 #040-348-02 RH Secondary S&L
2	036-119-02	1	Backing Plate
3	046-119-00	1	Shoe Return Spring (grey)
4	047-124-05	1	LH Actuating Arm Assembly
4	047-125-05	1	RH Actuating Arm Assembly
5	027-039-00	3	Wire Clip
6	071-455-01	1	LH Lever Arm Retainer
6	071-455-02	1	RH Lever Arm Retainer
7	006-092-01	1	Flange Nut
8	K71-441-00	1	Magnet Kit containing: 1 #042-136-00 Magnet 1 #027-050-00 Magnet Retainer 1 #046-117-00 Magnet Spring
9	046-136-00	2	Centering Spring
10	046-018-00	1	Adjuster Spring (red)
11	048-017-00	1	Adjuster Assembly
*13	036-118-20	1	Dust Shield (sold separately)
*14	046-007-00	2	Adjuster Slot Plug
*16	046-016-00	1	Magnet Wire Grommet
*17	007-251-00	4	Brake Mounting Bolt
*26	006-129-00	4	Hex Nut
*27	005-058-00	4	Lockwasher
28	005-142-00	1	Washer

\* Not included with complete brake assembly. Items sold separately.

**Brakes manufactured after  
May 2000 use the  
cast backing plate**

DEXTER AXLE



# GENERAL APPLICATIONS

8000 LBS. CAPACITY



## AXLE TYPES

### 8000 lbs. capacity

- Complete service manual
- Precision machined steel spindles and integral cast iron hub/drums
- Standard oil bath lubrication; grease or Nev-R-Lube™ option
- $\frac{9}{16}$ " or  $\frac{5}{8}$ " press-in wheel studs
- Hydraulic brakes are available with and without parking feature
- Hydraulic brakes - uni-servo and duo-servo available
- Hydraulic disc brakes available
- $12\frac{1}{4}$  x  $3\frac{3}{8}$ " self adjusting electric and hydraulic brakes
- Inner wiring system for easier installation and protection of brake wiring
- Heavy wall  $3\frac{1}{2}$ " diameter tube
- Straight or Drop spindles (4" drop only)
- High quality alloy steel springs in different of capacities
- Single, tandem or triple axle assemblies with equalized suspensions

### D80 LEAF SPRING



- Slipper leaf spring suspension
- Heavy duty suspension parts available
- Optional rubber bushed suspension
- Optional hanger and attaching parts kits available
- Durable, wear-resistant components
- 2 year limited warranty



- Totally rubber-cushioned for smooth, quiet independent ride
- Easy installation with less maintenance
- Less transfer of road shock which insulates cargo from road shocks and vibration
- Rubber cords compounded for maximum dependability and durability
- Load-carrying cross member
- Self-damping action
- Independent wheel suspension system
- 5 year limited warranty on suspension system
- Low profile for maximum road clearance
- Various starting angles to control trailer height
- High and low profile brackets with optional mounting brackets available

- Rubber cushioning eliminates metal-to-metal contact
- Shock absorption provided by the natural hysteresis of rubber
- Single or tandem axle assemblies
- Durable, wear-resistant components

### CAUTION:

*Triple axle assemblies are NOT recommended for Torflex® axles.*



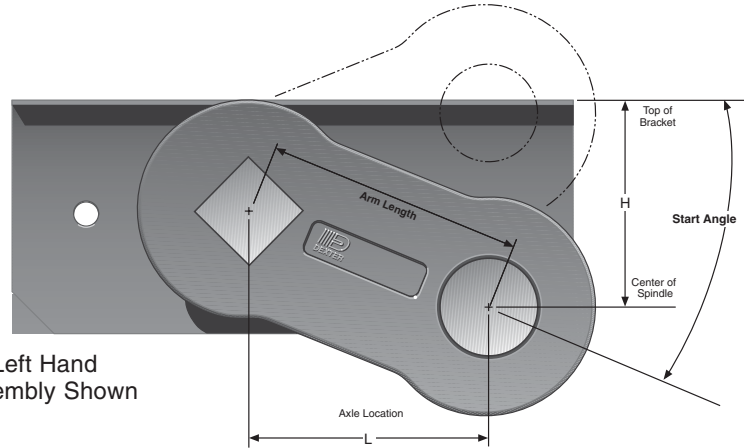
DEXTER AXLE

## #13 Articulation Dimensions

Dimensions are for top mount only. Side mount is .31" higher. Allow 3" bump clearance from full load position.

Forward  
←

Left Hand Assembly Shown



Start Angle	Bracket Profile	No Load		Full Load		Shock Load	
		H	L	H	L	H	L
45° down	Low	6.49	4.24	4.55	5.54	3.55	5.86
	High	7.18	4.24	5.24	5.54	4.24	5.86
22.5° down	Low	4.55	5.54	2.25	6.00	1.21	5.91
	High	5.24	5.54	2.94	6.00	1.90	5.91
10° down	Low	3.29	5.91	0.95	5.86	-0.05	5.54
	High	3.98	5.91	1.64	5.86	0.64	5.54
0°	Low	2.25	6.00	-0.05	5.54	-0.97	5.06
	High	2.94	6.00	0.64	5.54	-0.28	5.06
10° up	Low	1.21	5.91	-0.97	5.06	-1.80	4.42
	High	1.90	5.91	-0.28	5.06	-1.11	4.42
22.5° up	Low	-0.05	5.54	-1.99	4.24	-2.66	3.44
	High	0.64	5.54	-1.30	4.24	-1.97	3.44

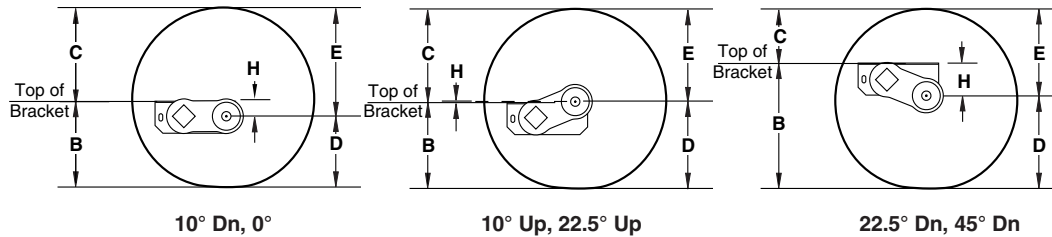
### #13 OVERHANG PER SIDE

Spindle	Min.	Max.
Short	8.50"	21.50"
Standard	9.00"	21.50"

Note: Positive numbers in the H column indicate the spindle is BELOW the top of the bracket. Conversely, negative numbers are ABOVE the top of the bracket.

## #13 Full Load Dimensions

Dimensions are for low profile, top mount only. High profile brackets are .75" higher. Side mount is .31" higher. Allow 3" bump clearance from full load.

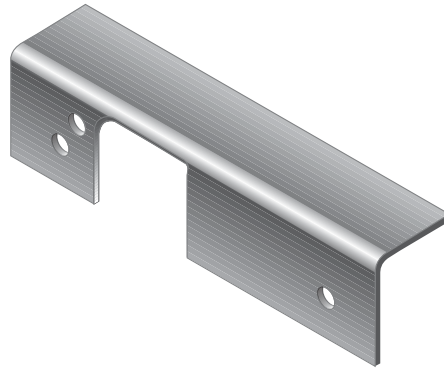
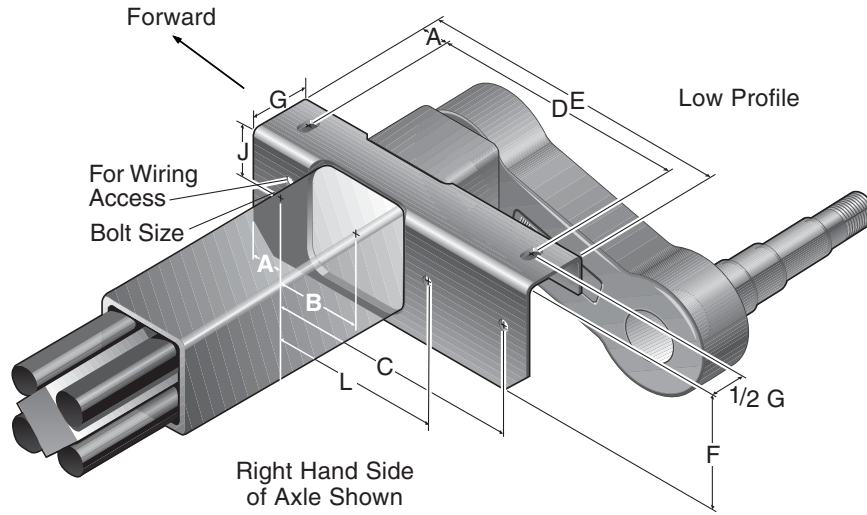


### START ANGLE

Tire	45° Down			22.5° Down			10° Down			0°			10° Up			22.5° Up			D	E
	H	B	C	H	B	C	H	B	C	H	B	C	H	B	C	H	B	C		
10R17.5 HC	4.6	20.2	13.4	2.3	17.9	15.7	1.0	16.6	17.0	-0.1	15.5	18.1	-1.0	14.6	19.0	-2.0	13.6	20.0	15.6	18.0
215/75R 17.5	4.6	18.6	10.7	2.3	16.3	13.0	1.0	15.0	14.3	-0.1	13.9	15.4	-1.0	13.0	16.3	-2.0	12.0	17.3	14.0	15.3
12-16.5LT	4.6	19.5	11.2	2.3	17.2	13.5	1.0	15.9	14.8	-0.1	14.8	15.9	-1.0	13.9	16.8	-2.0	12.9	17.8	14.9	15.8
9.50-16.5LT	4.6	18.7	10.6	2.3	16.4	12.9	1.0	15.1	14.2	-0.1	14.0	15.3	-1.0	13.1	16.2	-2.0	12.1	17.2	14.1	15.2
9R 17.5 HC	4.6	20.0	12.5	2.3	17.7	14.8	1.0	16.4	16.1	-0.1	15.3	17.2	-1.0	14.4	18.1	-2.0	13.4	19.1	15.4	17.1

8000 LBS. CAPACITY

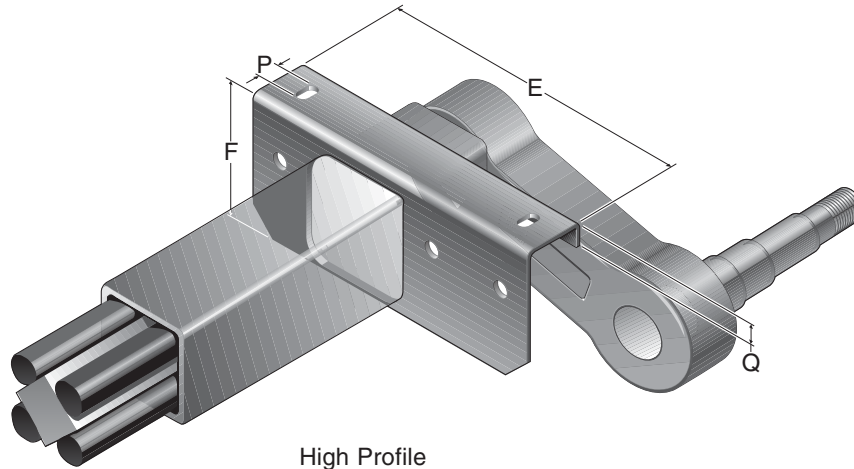
**13** Bracket Dimensions



Side Mount Hanger

**#13 BRACKET DIMENSIONS**

	Low	High
A	1.22	1.22
B	3.63	3.63
C	10.56	10.56
D	10.56	10.56
E	13.00	13.00
F	4.81	5.50
G	2.50	2.50
J	2.25	2.25
L	7.26	7.26
P	----	1.00
Q	----	1.00
Bolt size <sup>5</sup> / <sub>8</sub> " bolt		
Tube Size		
	3.88	3.88



High Profile

DEXTER AXLE

# LEAF SPRING APPLICATION INFORMATION

**8000 LBS. CAPACITY**

## SLIPPER SPRING AXLE ASSEMBLIES

Hanger Kits			Quantity Per Kit		
Part No.	Description	Ht.	HGR-138-00	HGR-238-00	HGR-338-00
028-009-01	Front Hanger	5.00	2	2	2
029-005-01	Center Hanger	4.50	----	2	4
030-006-01	Rear Hanger	6.38	2	2	2

Attaching Parts Kit		A/P-103-00	A/P-202-00 <sup>§</sup>	A/P-216-00 <sup>‡</sup>	A/P-302-00 <sup>§</sup>	A/P-316-00 <sup>‡</sup>
006-007-01	9/16-18 Locknut	2	4	4	6	6
006-011-00	Keeper Nut	2	4	4	6	6
006-111-00	Equalizer Nut	----	2	2	4	4
007-001-01	Equalizer Bolt	----	2	2	4	4
007-007-00	Keeper Bolt	2	4	4	6	6
007-017-00	Spring Eye Bolt	2	4	4	6	6
013-004-00	Equalizer	----	2	----	4	----
013-044-01	Equalizer	----	----	2	----	4

§ For 33.5" axle spacing

‡ For 36" axle spacing

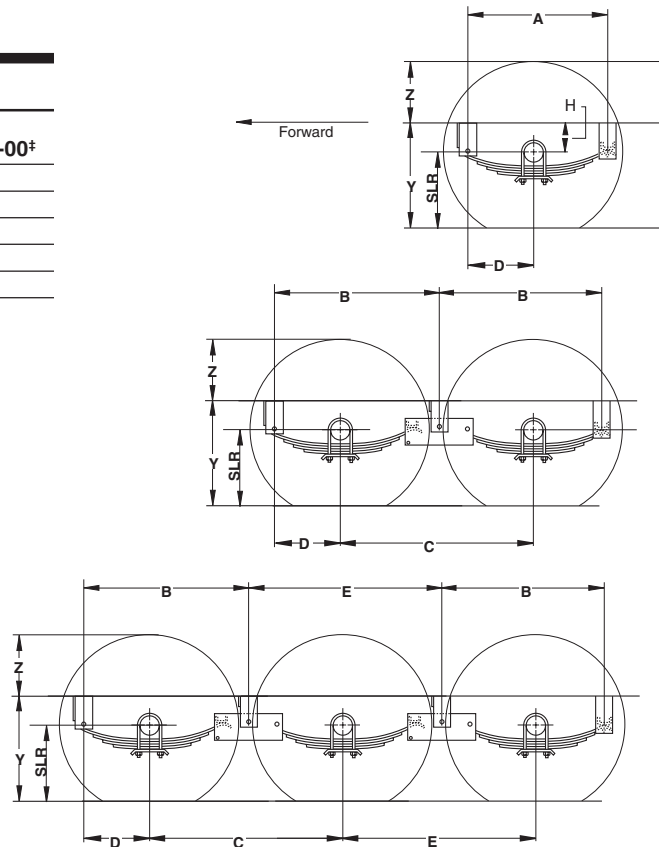
## SLIPPER SPRINGS

	Single A/P-103-00	Tandem A/P-202-00 <sup>§</sup> A/P-216-00 <sup>‡</sup>	Triple A/P-302-00 <sup>§</sup> A/P-316-00 <sup>‡</sup>
A	24.0	----	----
B	----	28.8	30.4
C	----	33.5	36.0
D	11.5	11.5	11.5
E	----	----	33.0

Note: All 2" Wide Slipper Springs

A, B, E - Hanger Spacing  
 C - Axle Spacing  
 D - Axle Location  
 H - Center of Spindle  
 Y - Frame Height  
 Z - Top of Tire to Bottom of Frame  
 SLR - Static Load Radius  
 Contact your local sales engineer or distributor to run ProSpec™ to determine Y, Z, SLR.

Some combinations of hangers and spring mounting may result in insufficient bump clearance. For additional Hanger kits, AP kits or other tires, refer to pages 85-87.



## D80 OVERHANG PER SIDE

	Min.	Max.
Straight	8.00"	9.50"
4" Drop	9.00"	9.50"

### Single axles

require 1 HAP-105-00 kit

### Tandem axles

require 1 HAP-105-00 kit and 1 HAP-205-01 kits

### Triple axles

require 1 HAP-105-00 kit and 2 HAP-205-01 kits

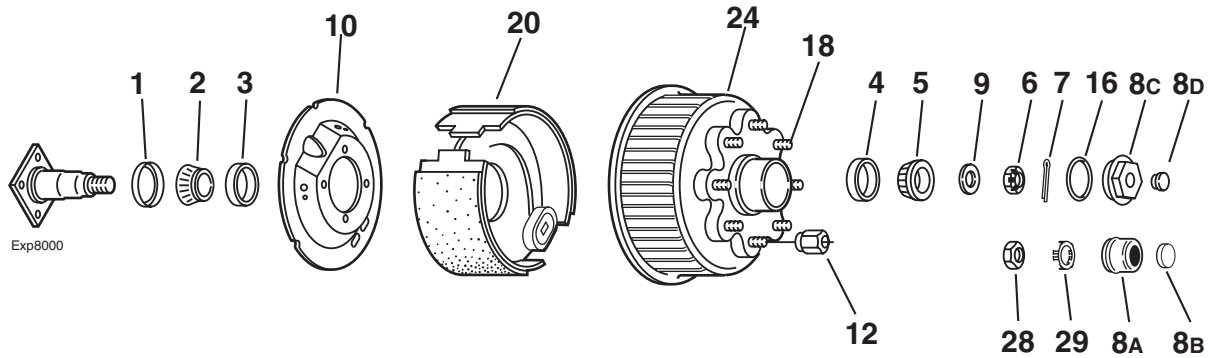
## RUBBER BUSHED SUSPENSION

Part No.	Description	Ht.	HAP-105-00	HAP-205-01
028-068-02	Front Hanger	5.50"	2	----
029-039-04	Center Hanger	4.50"	----	2
030-068-02	Rear Hanger	4.85"	2	----
006-011-00	9/16-18 UNC Locknut		2	2
006-038-00	5/8-11 UNC Locknut		2	2
006-112-00	1-8 UNC Locknut		----	2
007-007-00	Keeper Bolt		2	2
007-181-00	Spring Eye Bolt		2	2
007-182-00	Equalizer Bolt		----	2
013-117-03	Equalizer		----	2
059-200-00	Decal		1	1
059-203-00	Instruction Sheet		1	1

**DEXTER AXLE**

# 865 HUB GROUP

**8000 LBS. CAPACITY**



## OIL LUBE PARTS

Item	Part No.	Description
1	010-063-00	Seal (Unitized)
2	031-030-02	25580 Inner Bearing Cone
3	031-030-01	25520 Inner Bearing Cup
4	031-028-01	02420 Outer Bearing Cup
5	031-028-02	02475 Outer Bearing Cone
6	006-001-00	Spindle Nut
7	019-002-00	Cotter Pin
8C	021-035-00	Oil Cap
8D	046-032-00	Oil Cap Plug
9	005-057-00	Spindle Washer
ns	046-052-00	Oil Filler Plug (service part only)
16	010-045-00	'O' Ring

## GREASE LUBE PARTS

Item	Part No.	Description
1	010-036-00	Seal
2	031-030-02	25580 Inner Bearing Cone
3	031-030-01	25520 Inner Bearing Cup
4	031-028-01	02420 Outer Bearing Cup
5	031-028-02	02475 Outer Bearing Cone
6	006-001-00	Spindle Nut
7	019-002-00	Cotter Pin (not for E-Z Lube®)
9	005-057-00	Spindle Washer
8A	021-043-01	Grease Cap E-Z Lube®
8B	085-001-00	E-Z Lube® Plug
ns	021-039-00	Grease Cap
28	006-191-00	Special Jam Nut for E-Z Lube® (after 2002)
29	006-190-00	Spindle Nut Retainer for E-Z Lube® (after 2002)

## ABS COMPONENTS

Part No.	Description
097-004-00	Sensor, Straight
024-204-00	Sensor Block, Screw-In
097-002-00	Sensor Retainer Clip
024-205-01	Sensor Tone Ring

## 12¼ X 3⅜ BRAKES

Item	Part No.	Description
10	036-115-20	Dust Shield
10	036-115-24	Dust Shield for brakes w/park
20	K23-434-00/K23-435-00	LH/RH Electric Self-Adj.
ns	K23-432-00/K23-433-00	LH/RH Electric Manual Adj.
ns	K23-402-00/K23-403-00	LH/RH Hyd. Self-Adj. Duo-servo
ns	K23-171-00/K23-172-00	LH/RH Hyd. Self-Adj. DS w/park
ns	K23-418-00/K23-419-00	LH/RH Hyd. Uni-servo
ns	K23-252-00/K23-253-00	LH/RH Hyd. Uni-servo w/park
ns	K23-420-22/K23-421-00	LH/RH Self-Adj. DS Corr. Resistant
ns	K23-388-00/K23-387-00	LH/RH Hyd. Manual Adj. Duo-servo

## HUBS

Item	Part No.	Description	Bolt Circle
<i>Hubs and Drums</i>			
24	008-285-08	Grease 5/8" studs	8 on 6.50
24	008-285-15	Grease 5/8" studs ABS	8 on 6.50
24	008-285-11	Grease 9/16" studs	8 on 6.50
24	008-285-13	Grease 9/16" studs ABS	8 on 6.50
24	008-285-10	Oil 5/8" studs	8 on 6.50
24	008-285-14	Oil 5/8" studs ABS	8 on 6.50
24	008-285-09	Oil 9/16" studs	8 on 6.50
24	008-285-12	Oil 9/16" studs ABS	8 on 6.50
<i>Plain Hub</i>			
ns	008-287-07	Grease 5/8" studs	8 on 6.50
ns	008-287-11	Grease 9/16" studs	8 on 6.50
ns	008-287-14	Oil 9/16" studs	8 on 6.50
ns	008-287-17	Oil 5/8" studs	8 on 6.50

## STUDS & WHEEL NUTS

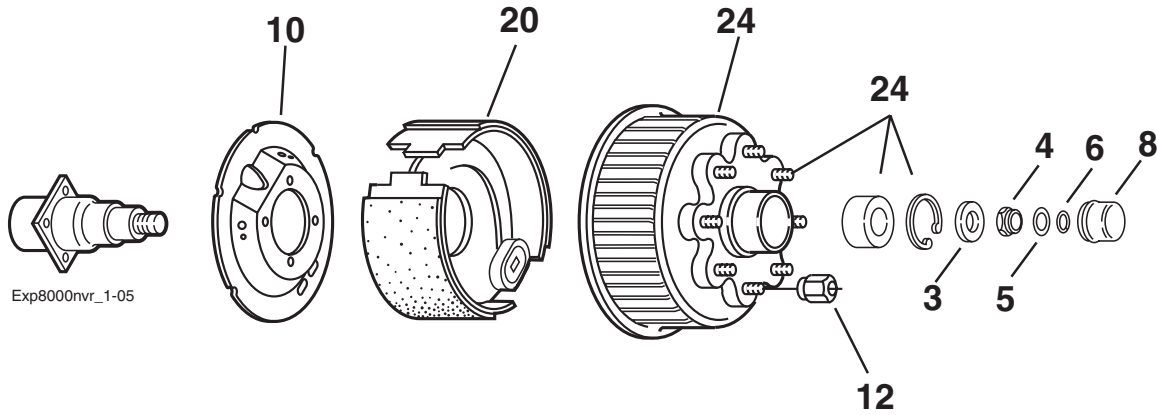
Item	Part No.	Description
12	006-053-00	9/16"-18 60° Cone Nut
12	006-109-00	5/8"-18 90° Cone Nut
18	007-132-00	9/16"-18 Press-in Stud
18	007-232-00	5/8"-18 Press-in Stud
ns	006-058-00	5/8"-18 Flange Nut

ns - not shown

**DEXTER AXLE**

# 865 NEV-R-LUBE™ HUB GROUP

8000 LBS. CAPACITY



## NEV-R-LUBE™ PARTS 50MM

Item	Part No.	Description
3	005-149-00	Spindle Washer
4	006-183-00	Spindle Nut
5	092-002-00	Washer, Torque Label
6	069-096-00	Snap Ring
8	021-086-00	Grease Cap

## 12¼ X 3⅜ BRAKES

Item	Part No.	Description
10	036-115-20	Dust Shield
10	036-115-24	Dust Shield for brakes w/park
20	K23-434-00/K23-435-00	LH/RH Self-Adj. Electric Brake
ns	K23-402-00/K23-403-00	LH/RH Self-Adj. Hyd. Brake Duo-servo
ns	K23-171-00/K23-172-00	LH/RH Self-Adj. Hyd. Brake DS w/park
ns	K23-418-00/K23-419-00	LH/RH Hyd. Brake Uni-servo
ns	K23-252-00/K23-253-00	LH/RH Hyd. Brake Uni-servo w/ park

## ABS HUBS - WITHOUT BEARING

Item	Part No.	Description	Bolt Circle
24	008-389-09	Grease 5/8" studs ABS	8 on 6.50
24	008-389-12	Grease 9/16" studs ABS	8 on 6.50

## HUBS WITH BEARING & WHEEL STUDS

Item	Part No.	Description	Bolt Circle
24	008-389-81	Hub & Drum includes: 007-223-00 9/16" Press-in Studs 031-071-03 50 mm Bearing Cartridge 069-093-00 Bearing Retainer	8 on 6.50
ns	008-389-80	Hub & Drum includes: 007-224-00 5/8" Press-in Studs 031-071-03 50 mm Bearing Cartridge 069-093-00 Bearing Retainer	8 on 6.50

## WHEEL NUTS

Item	Part No.	Description
12	006-053-00	9/16"-18 60° Cone Nut
ns	006-109-00	5/8"-18 90° Cone Nut

## ABS COMPONENTS

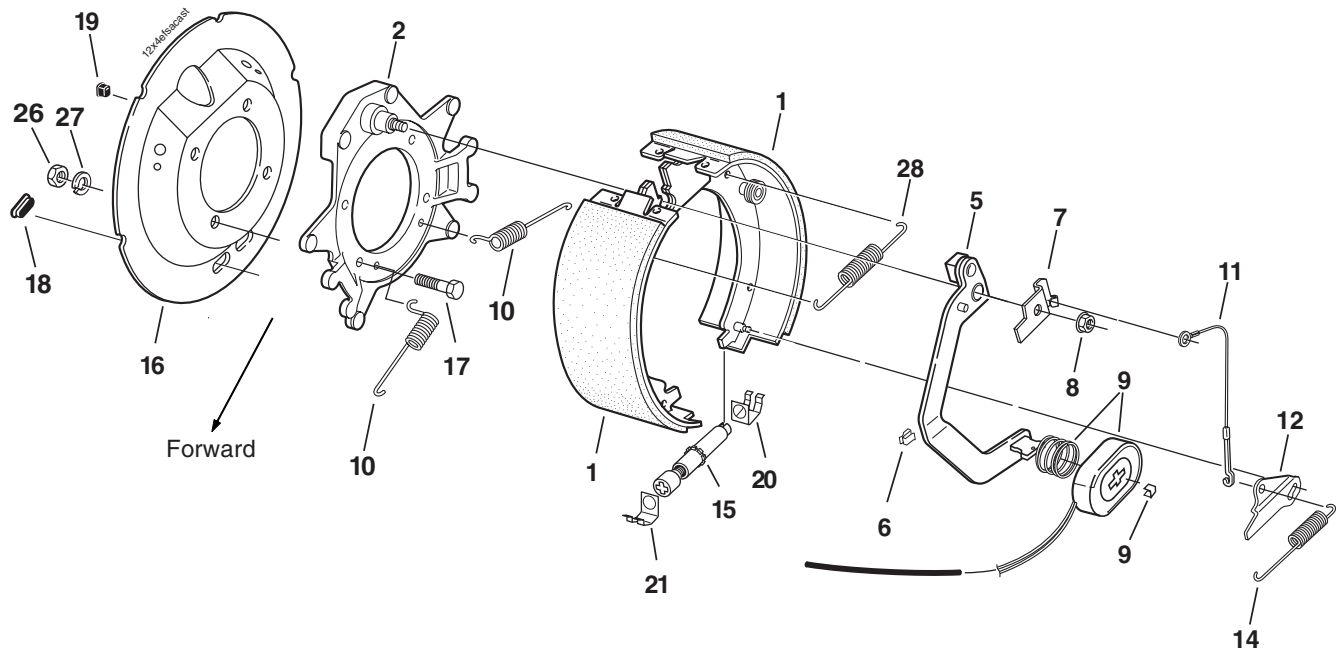
Part No.	Description
097-004-00	Sensor, Straight
024-204-00	Sensor Block, Screw-In
097-002-00	Sensor Retainer Clip

ns - not shown

DEXTER AXLE

# 12<sup>1</sup>/<sub>4</sub> x 3<sup>3</sup>/<sub>8</sub>" 8K ELECTRIC BRAKE FSA - CAST BACKING PLATE

**8000 LBS. CAPACITY**



## ELECTRIC BRAKE

Item	Part No.	Qty/Brk	Description
0	K23-434-00	1	LH Complete Brake Assembly (shown)
0	K23-435-00	1	RH Complete Brake Assembly
1	K71-499-00	1	LH Shoe & Lining Kit containing: 1 #040-350-01 LH Prim. Shoe & Lining 1 #040-351-02 LH Sec. Shoe & Lining
1	K71-498-00	1	RH Shoe & Lining Kit containing: 1 #040-351-01 RH Prim. Shoe & Lining 1 #040-350-02 RH Sec. Shoe & Lining
2	036-119-02	1	Backing Plate Assembly
5	047-123-38	1	LH Actuating Arm Assembly
5	047-123-37	1	RH Actuating Arm Assembly
6	027-039-00	3	Wire Clips
7	071-455-01	1	LH Arm/Shoe Retainer
7	071-455-02	1	RH Arm/Shoe Retainer
8	006-092-01	1	Flange Nut
9	K71-375-00	1	Magnet Kit containing: 1 #042-127-00 Magnet 1 #027-050-00 Magnet Retainer Clip 1 #046-117-00 Magnet Spring
10	046-136-00	2	Centering Spring
11	071-462-00	1	Adjuster Cable
12	071-464-00	1	LH Adjuster Lever
12	071-463-00	1	RH Adjuster Lever
14	046-137-00	1	Adjuster Spring
15	048-019-00	1	LH Adjuster Assembly (silver)
15	048-020-00	1	RH Adjuster Assembly (gold)
*16	036-115-20	1	Dust Shield
*17	007-097-00	4	Brake Mounting Bolt
*18	046-007-00	2	Adjuster Slot Plug
*19	046-016-00	1	Wire Grommet
20	046-133-00	1	Adjuster Clip (barrel end)
21	046-132-00	1	Adjuster Clip (thread end)
*26	006-129-00	4	Brake Mounting Nut
*27	005-058-00	4	Lockwasher
28	046-119-00	1	Return Spring

\* Not included with complete brake assembly. Items sold separately.

**Brakes manufactured after  
April 2000 use the  
cast backing plate**

**DEXTER AXLE**

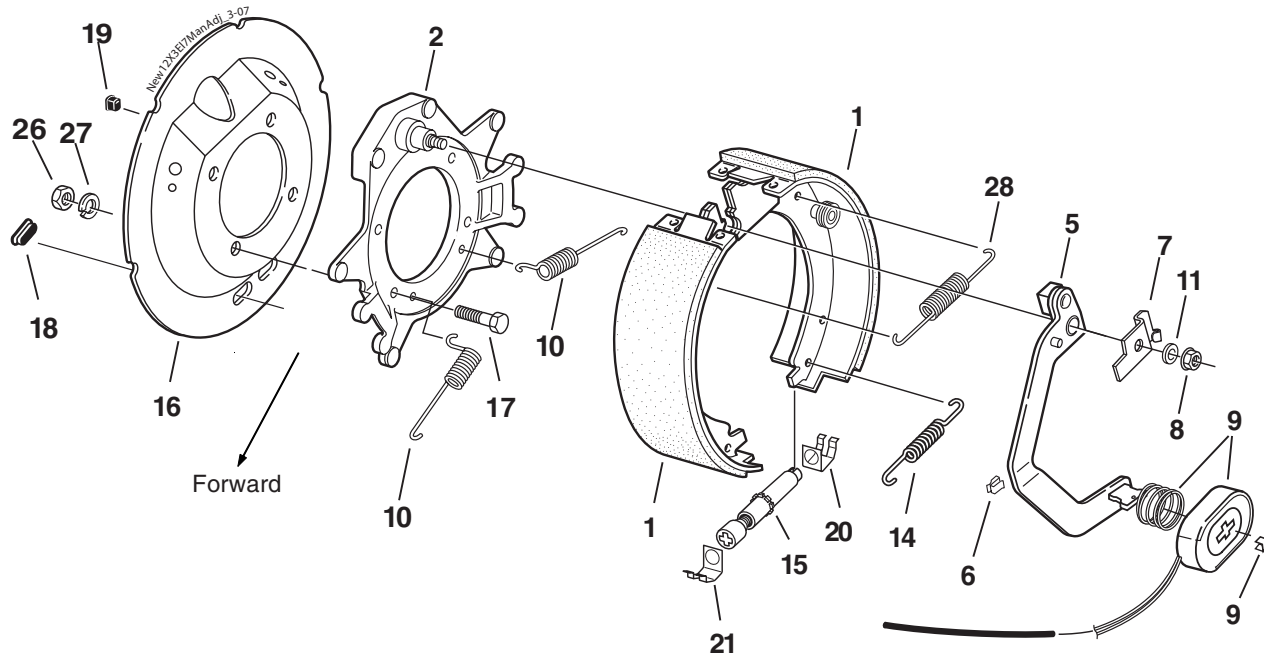


# 12<sup>1</sup>/<sub>4</sub> x 3<sup>3</sup>/<sub>8</sub>" 8K ELECTRIC BRAKE MANUAL ADJUST

CAST BACKING PLATE

CSA approved at 7000#/14.2 SLR

8000 LBS. CAPACITY



## ELECTRIC BRAKE

Item	Part No.	Qty/Brk	Description
0	K23-432-00	1	LH Complete Brake Assembly (shown)
0	K23-433-00	1	RH Complete Brake Assembly
1	K71-499-00	1	LH Shoe & Lining Kit containing: 1 #040-350-01 LH Prim. Shoe & Lining 1 #040-351-03 LH Sec. Shoe & Lining
1	K71-498-00	1	RH Shoe & Lining Kit containing: 1 #040-351-01 RH Prim. Shoe & Lining 1 #040-350-03 RH Sec. Shoe & Lining
2	036-119-02	1	Backing Plate Assembly
5	047-123-18	1	LH Actuating Arm Assembly
5	047-123-17	1	RH Actuating Arm Assembly
6	027-039-00	3	Wire Clips
7	071-455-01	1	LH Arm/Shoe Retainer
7	071-455-02	1	RH Arm/Shoe Retainer
8	006-092-01	1	Flange Nut
9	K71-375-00	1	Magnet Kit containing: 1 #042-127-00 Magnet 1 #027-050-00 Magnet Retainer Clip 1 #046-117-00 Magnet Spring
10	046-136-00	2	Centering Spring
11	005-142-00	1	Washer
14	046-018-00	1	Adjuster Spring
15	048-017-00	1	Adjuster Assembly
*16	036-115-20	1	Dust Shield
*17	007-097-00	4	Brake Mounting Bolt
*18	046-007-00	2	Adjuster Slot Plug
*19	046-016-00	1	Wire Grommet
20	046-132-00	1	Adjuster Clip (thread end)
21	046-133-00	1	Adjuster Clip (barrel end)
*26	006-129-00	4	Brake Mounting Nut
*27	005-058-00	4	Lockwasher
28	046-119-00	1	Return Spring

\* Not included with complete brake assembly. Items sold separately.

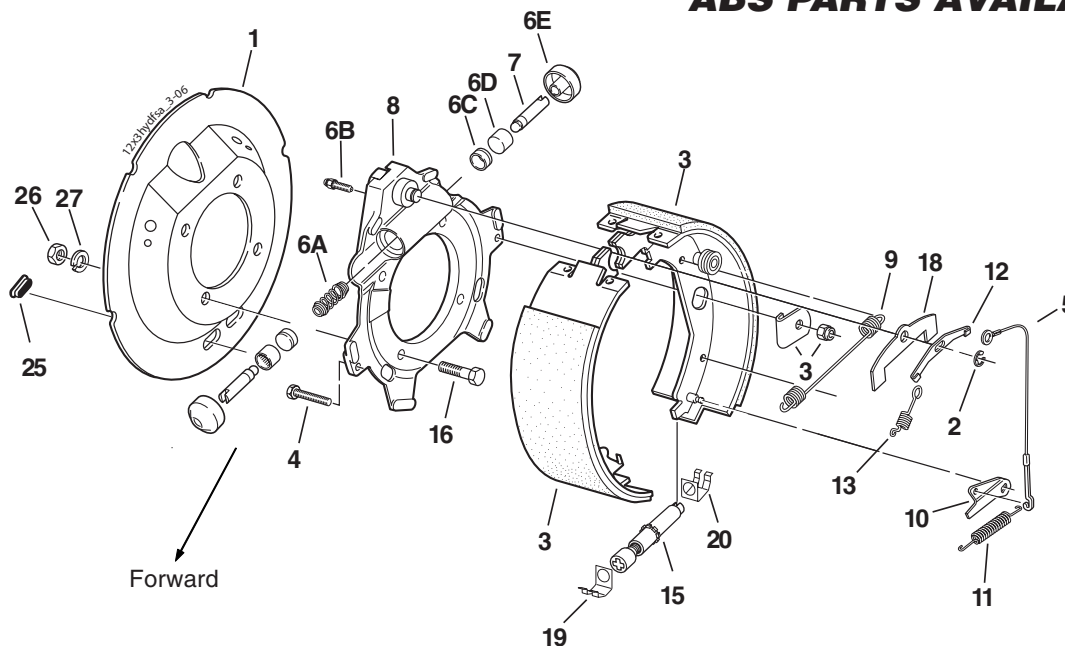
**Brakes manufactured after  
April 2000 use the  
cast backing plate**

DEXTER AXLE

# 12<sup>1</sup>/<sub>4</sub> x 3<sup>3</sup>/<sub>8</sub>" 8K HYDRAULIC BRAKE FSA

8000 LBS. CAPACITY

**ABS PARTS AVAILABLE**



## HYDRAULIC BRAKE

Item	Part No.	Qty/Brk	Description
+0	K23-418-00	1	LH Complete Brake Assembly FSA US
+0	K23-419-00	1	RH Complete Brake Assembly FSA US
0	K23-402-00	1	LH Complete Brake Assembly FSA DS (shown)
0	K23-403-00	1	RH Complete Brake Assembly FSA DS
*1	036-115-20	1	Dust Shield
2	069-053-00	1	Retainer
3	K71-165-00	1	LH Shoe & Lining Kit containing: 1 #040-199-01 LH Prim. Shoe & Lining 1 #040-199-02 LH Sec. Shoe & Lining 2 #005-107-00 Shoe Hold Down Washer 2 #006-086-00 Locknut
3	K71-166-00	1	RH Shoe & Lining Kit containing: 1 #040-200-01 RH Prim. Shoe & Lining 1 #040-200-02 RH Sec. Shoe & Lining 2 #005-107-00 Shoe Hold Down Washer 2 #006-086-00 Locknut
4	007-113-00	2	Shoe Hold Down Screw
5	071-462-00	1	Adjuster Cable
6	K71-080-00	1	Wheel Cylinder Kit (1.00" Bore) containing: 1 #046-130-00 Spring (6A) 2 #054-032-00 Boot (6E) 2 #054-041-00 Piston (6D) 2 #054-085-00 Cup (6C) 1 #054-035-00 Bleeder Screw (6B)
7	054-033-00	1 or 2	Cylinder Push Rod US (1) DS (2)
8	036-064-06	1	LH Spider Assembly US (incl. items #4, 6, 7)
8	036-064-07	1	RH Spider Assembly US (incl. items #4, 6, 7)
8	036-064-03	1	Spider Assembly (incl. items #4, 6, 7) DS
9	046-087-00	1	Retractor Spring
10	071-464-00	1	LH Adjuster Lever
10	071-463-00	1	RH Adjuster Lever
11	046-135-00	1	LH Adjuster Spring
11	046-134-00	1	RH Adjuster Spring
12	071-456-00	1	Cable Attachment Bracket
13	046-131-01	1	Extension Spring
15	048-019-00	1	LH Adjuster Assembly
15	048-020-00	1	RH Adjuster Assembly
*16	007-097-00	4	Brake Mounting Bolt
18	034-062-00	1	Piston Stop
19	046-132-00	1	Adjuster clip (thread end)
20	046-133-00	1	Adjuster clip (barrel end)
*25	046-007-00	2	Adjuster Slot Plug
*26	006-129-00	4	Brake Mounting Nut
*27	005-058-00	4	Lockwasher

## HYDRAULIC BRAKE - CORROSION RESISTANT DUO-SERVO ONLY

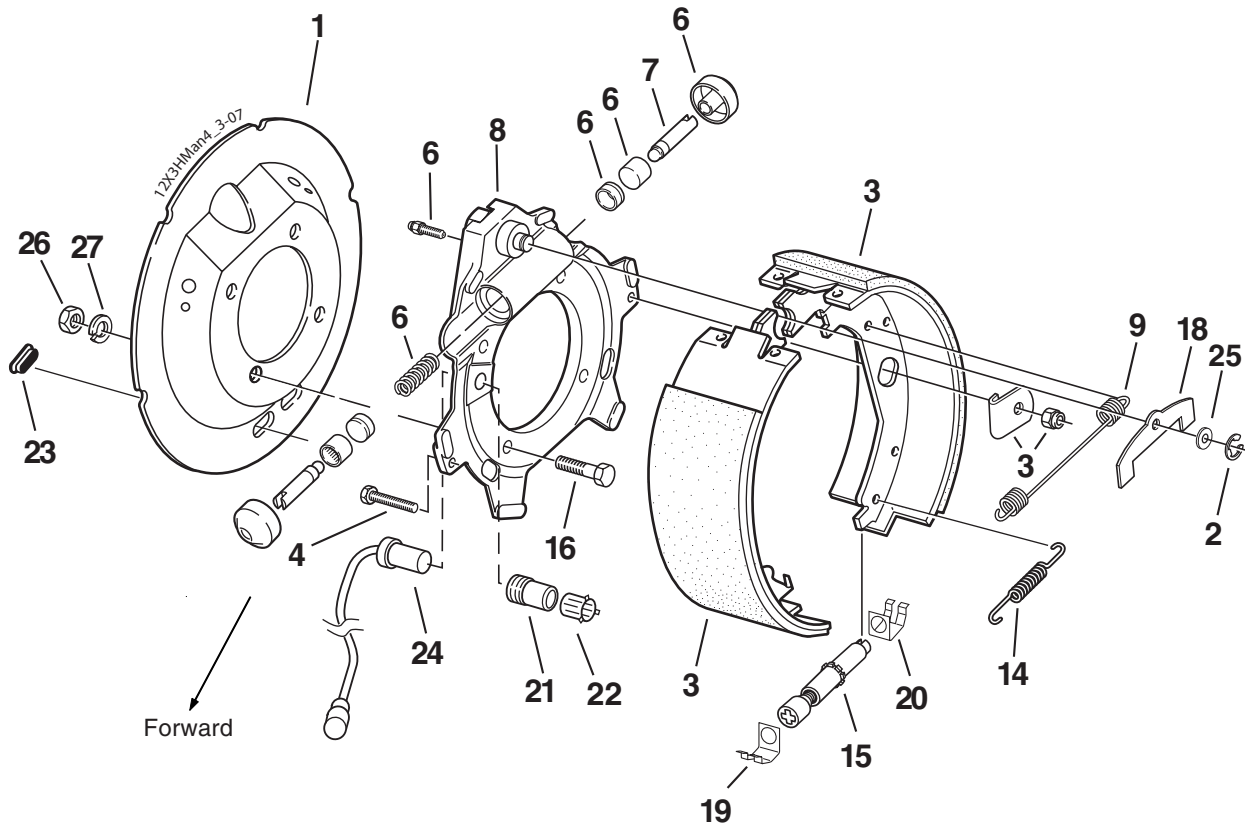
Item	Part No.	Qty/Brk	Description
0	K23-420-00	1	LH Complete Brake Assembly FSA
0	K23-421-00	1	RH Complete Brake Assembly FSA
*1	036-115-20	1	Dust Shield
2	069-053-00	1	Retainer
3	K71-437-00	1	LH Shoe & Lining Kit containing: 1 #040-199-05 LH Prim. Shoe & Lining 1 #040-199-06 LH Sec. Shoe & Lining 2 #005-107-02 Shoe Hold Down Washer 2 #006-086-00 Locknut
3	K71-438-00	1	RH Shoe & Lining Kit containing: 1 #040-200-05 RH Prim. Shoe & Lining 1 #040-200-06 RH Sec. Shoe & Lining 2 #005-107-02 Shoe Hold Down Washer 2 #006-086-00 Locknut
4	007-113-01	2	Shoe Hold Down Screw
5	071-462-00	1	Adjuster Cable
6A	046-130-00	1	Spring
6B	054-035-00	1	Bleeder Screw
6C	054-085-00	2	Cup
6D	054-083-00	2	Piston
6E	054-032-00	2	Boot
7	054-033-00	2	Cylinder Push Rod
8	036-064-14	1	Spider Assembly (incl. items #4, 6, 7) DS
9	046-087-01	1	Retractor Spring
10	071-464-00	1	LH Adjuster Lever
10	071-463-00	1	RH Adjuster Lever
11	046-135-01	1	LH Adjuster Spring
11	046-134-01	1	RH Adjuster Spring
12	071-456-00	1	Cable Attachment Bracket
13	046-131-02	1	Extension Spring
15	048-019-00	1	LH Adjuster Assembly
15	048-020-00	1	RH Adjuster Assembly
*16	007-097-00	4	Brake Mounting Bolt
18	034-062-02	1	Piston Stop
19	046-132-00	1	Adjuster Clip (thread end)
20	046-133-00	1	Adjuster Clip (barrel end)
*26	006-129-00	4	Brake Mounting Nut
*25	046-007-00	2	Adjuster Slot Plug
*27	005-058-00	4	Lockwasher

\* Not included with complete brake assembly. Items sold separately.  
+ Uni-servo version not shown.

DEXTER AXLE

# 12 1/4 x 3 3/8" 8K HYDRAULIC BRAKE MANUAL ADJUST

**SHOWN WITH ABS PARTS**



**8000 LBS. CAPACITY**

## HYDRAULIC BRAKE

Item	Part No.	Qty/Brk	Description
0	K23-388-00	1	LH Complete Brake Assembly DS (shown)
0	K23-387-00	1	RH Complete Brake Assembly DS
*1	036-115-20	1	Dust Shield
2	069-053-00	1	Retainer
3	K71-165-00	1	LH Shoe & Lining Kit containing: 1 #040-199-01 LH Prim. Shoe & Lining 1 #040-199-02 LH Sec. Shoe & Lining 2 #005-107-00 Shoe Hold Down Washer 2 #006-086-00 Locknut
3	K71-166-00	1	RH Shoe & Lining Kit containing: 1 #040-200-01 RH Prim. Shoe & Lining 1 #040-200-02 RH Sec. Shoe & Lining 2 #005-107-00 Shoe Hold Down Washer 2 #006-086-00 Locknut
4	007-113-00	2	Shoe Hold Down Screw
6	K71-080-00	1	Wheel Cylinder Kit (1.00" Bore) containing: 1 #046-130-00 Spring 2 #054-032-00 Boot 2 #054-041-00 Piston 2 #054-085-00 Cup 1 #054-035-00 Bleeder Screw
7	054-033-00	2	Cylinder Push Rod
8	036-064-03	1	Spider Assembly (incl. items #4, 6, 7)
9	046-087-00	1	Retractor Spring
14	046-018-00	1	Adjuster Spring
15	048-017-00	1	Adjuster Assembly
*16	007-097-00	4	Brake Mounting Bolt

\* Not included with complete brake assembly. Items sold separately.

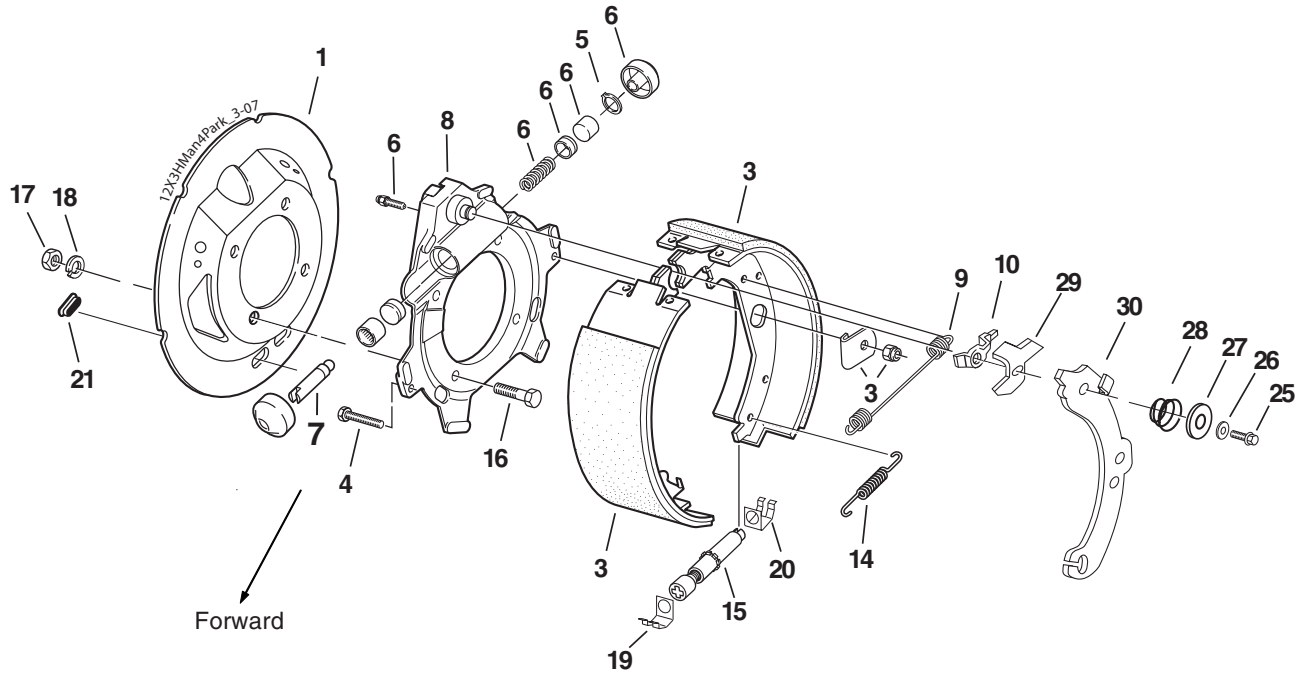
## HYDRAULIC BRAKE

Item	Part No.	Qty/Brk	Description
18	034-062-00	1	Piston Stop
19	046-132-00	1	Adjuster Clip (thread end)
20	046-133-00	1	Adjuster Clip (barrel end)
*21	024-204-00	1	ABS Sensor Mounting Block
*22	097-002-00	1	ABS Sensor Retaining Clip
*23	046-007-00	2	Adjuster Slot Plug
*24	097-004-00	1	ABS Sensor (straight)
25	005-142-00	1	Washer
*26	006-129-00	4	Brake Mounting Nut
*27	005-058-00	4	Lockwasher

**DEXTER AXLE**

# 12<sup>1</sup>/<sub>4</sub> x 3<sup>3</sup>/<sub>8</sub>" 8K HYDRAULIC BRAKE UNI-SERVO WITH PARKING FEATURE (MANUAL ADJUST)

8000 LBS. CAPACITY



Note: Uni-servo brakes to be used with surge actuator

## HYDRAULIC BRAKE

Item	Part No.	Qty/Brk	Description
0	K23-252-00	1	LH Complete Brake Assembly, US w/park (shown)
0	K23-253-00	1	RH Complete Brake Assembly, US w/park
*1	036-115-24	1	Dust Shield
3	K71-165-00	1	LH Shoe & Lining Kit containing: 1 #040-199-01 LH Prim. Shoe & Lining 1 #040-199-07 LH Sec. Shoe & Lining 2 #005-107-00 Shoe Hold Down Washer 2 #006-086-00 Locknut
3	K71-166-00	1	RH Shoe & Lining Kit containing: 1 #040-200-01 RH Prim. Shoe & Lining 1 #040-200-02 RH Sec. Shoe & Lining 2 #005-107-02 Shoe Hold Down Washer 2 #006-086-00 Locknut
4	007-113-00	2	Shoe Hold Down Screw
5	069-040-00	1	Snap Ring
6	K71-080-00	1	Wheel Cylinder Kit (1.00" Bore) containing: 1 #046-130-00 Spring 2 #054-032-00 Boot 2 #054-041-00 Piston 2 #054-085-00 Cup 1 #054-035-00 Bleeder Screw
7	054-033-00	1	Cylinder Push Rod-US
8	036-064-08	1	LH Spider Assembly (incl. items #4,5,6,7) US
8	036-064-09	1	RH Spider Assembly (incl. items #4,5,6,7) US
9	046-087-00	1	Retractor Spring

\* Not included with complete brake assembly. Items sold separately.

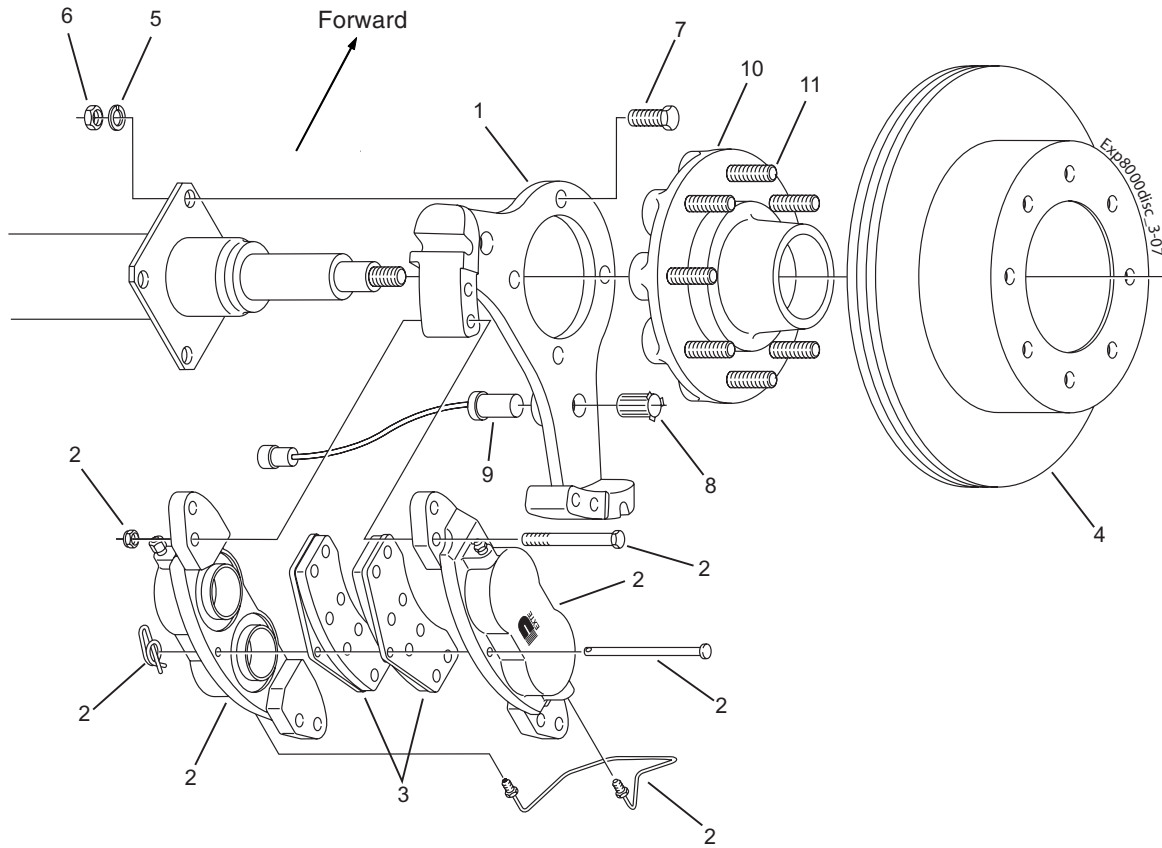
## HYDRAULIC BRAKE

Item	Part No.	Qty/Brk	Description
10	033-083-00	1	Spacer
14	046-018-00	1	Adjuster Spring
15	048-017-00	1	Adjuster Assembly
*16	007-097-00	4	Brake Mounting Bolt
*17	006-129-00	4	Brake Mounting Nut
*18	005-058-00	4	Lockwasher
19	046-132-00	1	Adjuster Clip (Thread End)
20	046-133-00	1	Adjuster Clip (Barrel End)
*21	046-007-00	2	Adjuster Slot Plug
25	007-096-00	1	Holddown Lever Bolt
26	005-143-00	1	Star Washer
27	005-065-00	1	Holddown Lever Washer
28	046-091-00	1	Holddown Lever Spring
29	039-055-00	1	Parking Cam LH
29	039-056-00	1	Parking Cam RH
30	047-089-00	1	Parking Lever LH
30	047-090-00	1	Parking Lever RH
ns	071-512-00	1	Parking Cable

ns - not shown

DEXTER AXLE

# DISC BRAKE FOR 8,000 LB. AXLES



**8000 LBS. CAPACITY**

## DISC BRAKE 8000#

Item	Part No.	Qty/Brk	Description
1	090-003-01	1	Anchor Yoke
2	K71-630-00	1	Caliper Assembly Kit for LH or RH includes: 2 089-003-02 Assembled Caliper Half 1 054-092-00 Bleeder Screw 1 054-094-00 Adapter Fitting 4 007-254-00 Caliper Mounting Bolt 1 056-038-00 Pad Retaining Pin 4 006-045-00 Caliper Mounting Nut 1 019-019-00 Cotter Ring 1 071-513-00 Cross Over Hydraulic Line (yokes without notch) 1 071-518-00 Cross Over Hydraulic Line (yokes with notch)
3	K71-629-00	1	Brake Pad Kit (axle set)
4	K71-631-00	1	Rotor Kit
5	005-058-00	4	1/2" Lock Washer
6	006-129-01	4	1/2" Hex Nut
7	007-097-00	4	1/2" Brake Mounting Bolt
8	097-002-00	1	ABS Sensor Retaining Clip
9	097-004-00	1	ABS Sensor (straight)

## DISC BRAKE 8000# WITH 50MM NEV-R-LUBE™

Item	Part No.	Qty/Brk	Description
1	090-007-01	1	Anchor Yoke
2	K71-630-00	1	Caliper Assembly Kit for LH or RH includes: 2 089-003-02 Assembled Caliper Half 1 054-092-00 Bleeder Screw 1 054-094-00 Adapter Fitting 4 007-254-00 Caliper Mounting Bolt 1 056-038-00 Pad Retaining Pin 4 006-045-00 Caliper Mounting Nut 1 019-019-00 Cotter Ring 1 071-513-00 Cross Over Hydraulic Line (yokes without notch) 1 071-518-00 Cross Over Hydraulic Line (yokes with notch)
3	K71-629-00	1	Brake Pad Kit (axle set)
4	K71-631-00	1	Rotor Kit
5	005-058-00	4	1/2" Lock Washer
6	006-129-01	4	1/2" Hex Nut
7	007-097-00	4	1/2" Brake Mounting Bolt
8	097-002-00	1	ABS Sensor Retaining Clip
9	097-004-00	1	ABS Sensor (straight)

## DISC BRAKE HUBS & STUDS

Item	Part No.	Qty/Brk	Description
10	008-399-05	1	Grease 9/16" Studs 8 on 6.50
10	008-399-06	1	Oil 9/16" Studs 8 on 6.50
10	008-399-07	1	Grease 5/8" Studs 8 on 6.50
10	008-399-08	1	Oil 5/8" Studs 8 on 6.50
11	007-257-00	8	9/16"-18 x 2.50" Press-in Stud
11	007-115-00	8	5/8"-18 x 3.16" Press-in Stud

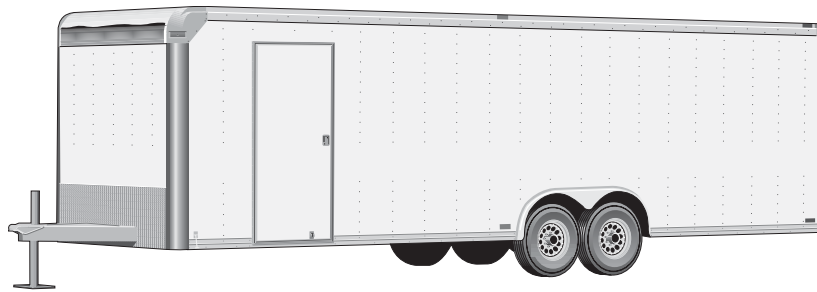
## NEV-R-LUBE™ DISC BRAKE HUBS

Item	Part No.	Qty/Brk	Description
10	008-402-80	1	9/16" Studs, 50mm 8 on 6.50
10	008-402-81	1	5/8" Studs, 50mm 8 on 6.50
11	007-257-00	8	9/16"-18 x 2.50" Press-in Stud
11	007-115-00	8	5/8"-18 x 3.16" Press-in Stud

**DEXTER AXLE**

# AIRFLEX™ LIGHT TRAILER SUSPENSION SYSTEM

8000 LBS. CAPACITY



- Suspension and axle come fully assembled for easy installation
- The suspension maintains a constant trailer floor height regardless of cargo weight
- The suspension isolates the cargo from road shock using air springs and Torflex® technology
- Designed for 6,000 to 8,000 lb. axle capacities
- Adjustable axle seats provided to align axle
- Bolt-on side mount brackets come standard
- Air control kits are available
- Straight, 4" drop, or Nev-R-Lube™ spindle options are available
- Electric drum, hydraulic drum, and hydraulic disc brakes options are available
- 2 year limited warranty on axle and suspension



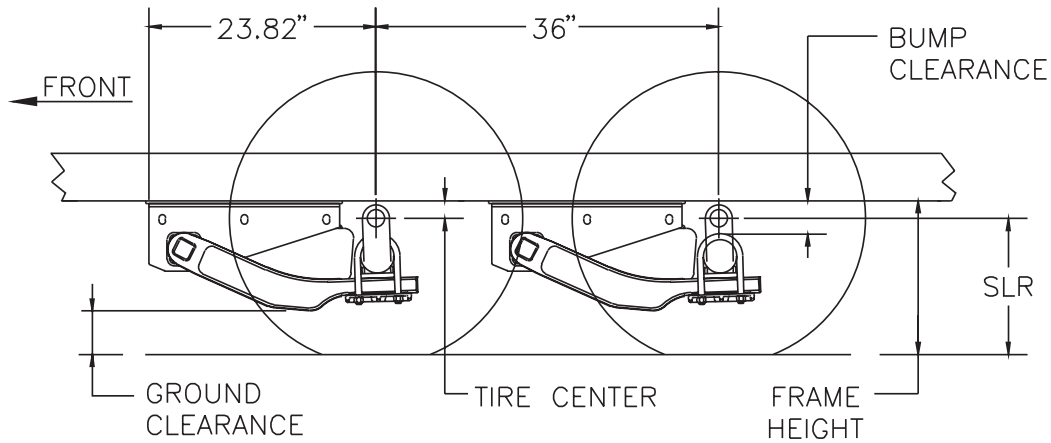
DEXTER AXLE



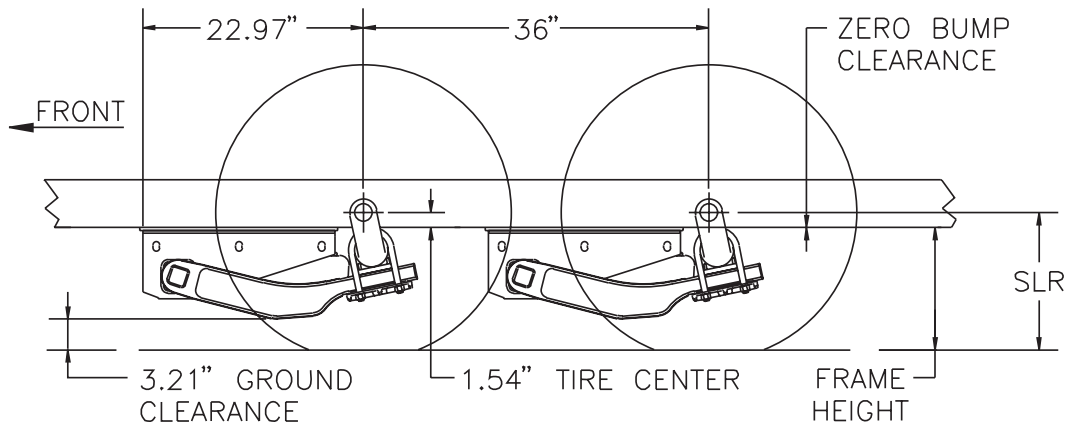
# AIRFLEX™ APPLICATION INFORMATION

**8000 LBS. CAPACITY**

SYSTEM AIR BAGS INFLATED



SYSTEM AIR BAGS DEFLATED



## SUSPENSION DIMENSIONS

	LT235/85R16 Tire	215/75R17.5HC Tire
Frame Height		
4" drop spindle	16.28"	15.98"
With bags deflated	12.78"	12.48"
Tire Center		
4" drop spindle	1.88"	1.88"
Ground Clearance		
4" drop spindle	4.68"	4.38"
Static Bump Clearance		
4" drop spindle	3.5"	3.5"

All dimensions are with axle loaded to capacity and air bags inflated

For straight spindles add 4" to frame height, tire center, and ground clearance dimensions

## DIFFERENCE BETWEEN HUB FACE AND OUTSIDE MOUNTING BRACKETS

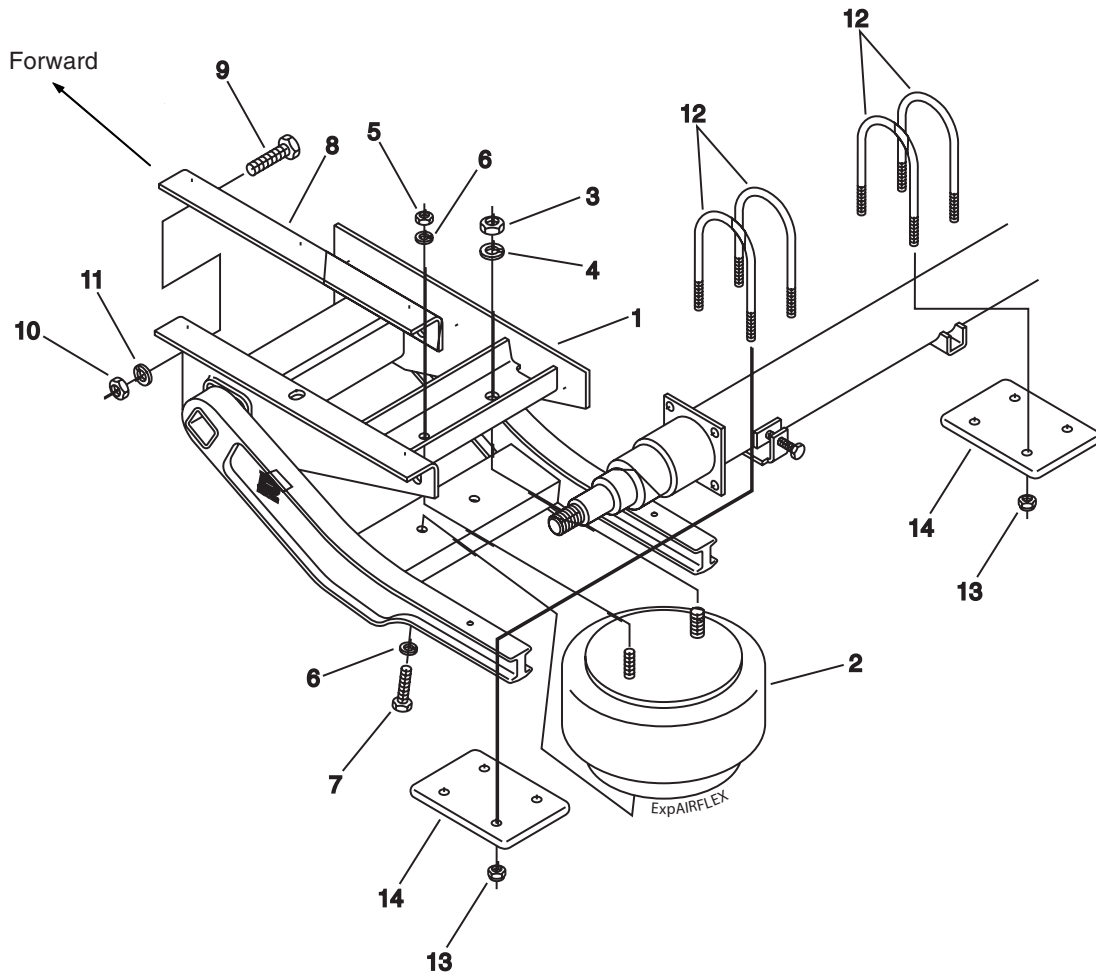
Axle Type	Minimum	Recommended	Maximum
D80 Straight	14.00"	15.50"	17.00"
D80 Drop	16.00"	16.00"	17.00"

**DEXTER AXLE**



# AIRFLEX™ FOR 8,000 LB. AXLES

8000 LBS. CAPACITY



## AIRFLEX™ SUSPENSION COMPONENTS 8000#

Item	Part No.	Qty/Axle	Description
1	003-272-00	1	LH Suspension Assembly (incl. items #2-11) (shown)
1	003-273-00	1	RH Suspension Assembly (incl. items #2-11)
<b>Air Spring &amp; Mounting Hardware</b>			
2	034-279-00	2	Air Spring
3	006-122-01	2	3/4"-16 Jam Nut
4	005-143-00	2	3/4" Lock Washer
5	006-116-00	2	1/2"-13 Hex Nut
6	005-058-00	6	1/2" Lock Washer
7	007-259-00	4	1/2"-13 Hex Bolt
<b>Suspension Mounting Hardware</b>			
8	003-261-00	2	Side Mount Bracket
9	007-177-00	6	5/8" Mounting Bolt
10	006-126-00	6	5/8" Lock Nut
11	005-111-00	6	5/8" Washer
<b>Axle Attaching Hardware</b>			
12	011-089-01	8	5/8" U-Bolt
13	006-038-00	16	5/8" Lock Nut
14	012-060-02	4	Tie Plate
<b>Air Supply Kits</b>			
ns	K71-632-01	-	Tandem Plumbing Kit with Ride Height Control Valve
ns	K71-632-02	-	Air Generation Kit (includes compressor and tank)
ns	K71-632-03	-	Manual Dump Valve Kit
ns	K71-632-04	-	Tri-Axle Conversion Plumbing Kit

ns - not shown

DEXTER AXLE

# WHEELS AND TIRES

**WHEELS & TIRES**

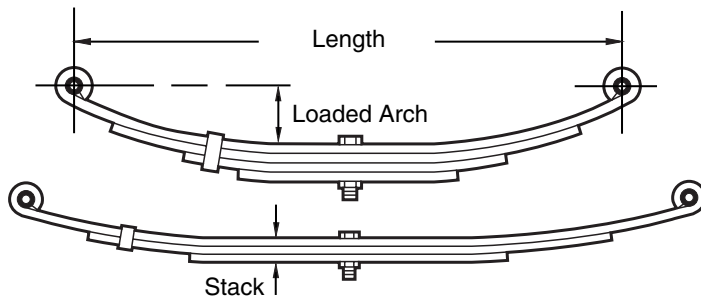
Wheel Dia.	Rim Contour	Tire Description	SLR	Tire Radius	Width	Capacity	psi
12	4JA	4.80-12, B	9.50	10.84	5.27	780	60
12	4JA	5.30-12, C	10.20	11.37	5.88	1045	80
13	4.5JJ	ST175/80R13, B	11.20	12.00	7.90	1100	35
13	4.5JJ	ST185/80R13, C	11.40	12.30	8.10	1480	50
14	5.5JJ	ST205/75R14, C	12.10	13.05	9.00	1760	50
14	5.5JJ	ST215/75R14, C	12.40	13.35	9.60	1870	50
14.5	6.00MH	8-14.5LT, E	13.30	14.10	8.50	2540	85
14.5	6.00MH	8-14.5LT, F	13.30	14.10	8.50	2790	100
14.5	7.00MH	9-14.5LT, E	13.30	14.68	10.10	2940	85
14.5	7.00MH	9-14.5LT, F	13.30	14.68	10.10	3230	100
15	5JJ	ST205/75R15, B	12.60	13.55	9.00	1480	35
15	5JJ	ST205/75R15, C	12.60	13.55	9.00	1820	50
15	6JJ	LT215/75R15, C	12.90	14.25	9.60	1765	50
15	6JJ	ST225/75R15, D	13.00	14.43	9.90	2540	65
15	6JJ	LT235/75R15, E	13.40	14.70	10.60	2755	80
16	6K	LT225/75R16, E	13.50	14.92	9.90	2680	80
16	6K	LT235/85R16, E	14.30	15.40	10.30	3042	80
16	6K	LT235/85R16, G	14.30	15.40	10.20	3750	110
16.5	6.75	8.75R16.5LT, E	13.80	14.80	10.00	2680	80
16.5	6.75	8.75R16.5LT, F	13.80	14.80	10.00	2980	95
16.5	6.75	9.50R16.5LT, E	14.30	15.40	10.70	3170	80
16.5	9.75	12-16.5LT, E	14.90	15.80	13.00	3550	60
16.5	9.75	12-16.5LT, F	14.90	15.80	13.00	4045	75

**DEXTER AXLE**

# HANGER AND ATTACHING PARTS KITS

**HANGERS & AP KITS**

## Double Eye Leaf Springs



### Tube Diameter & Spring Pad Height - DE and SS

Capacity	Tube Dia. Standard	Tube Dia. Optional	Pad Ht. Standard	Pad Ht. Optional
D20	1.75	2.38	0.60	0.60
D35	2.38	3.00	0.60	0.60
D52	3.00	N/A	0.60	N/A
D60	3.00	N/A	0.60	N/A
D70	3.00	3.50	0.60	0.50
D72	3.00	3.50	0.60	0.50
D80	3.50	N/A	0.50	N/A

N/A - Not applicable

### Hanger Heights

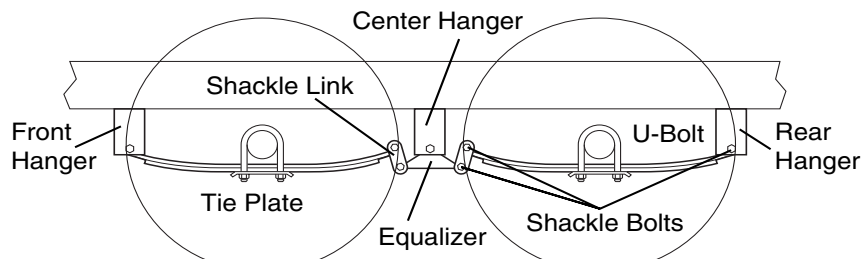
Hanger Kit	Axle Combination	Front Height	Center Height	Notes
HGR-104-00	1	3.25	N/A	
HGR-105-00	1	1.44	N/A	
HGR-120-00	1	4.25	N/A	5.2K max.
HGR-249-00	2	2.06	3.25	
HGR-248-00	2	3.25	3.62	
HGR-212-00	2	3.25	3.25	
HGR-250-00	2	3.62	3.62	
HGR-252-00	2	4.25	4.25	6K max.
HGR-271-00	2	4.25	4.25	Reinforced 7K max.
HGR-274-00	2	5.00	5.00	Reinforced 7K max.
HGR-348-00	3	3.25	3.62	
HGR-312-00	3	3.25	3.25	
HGR-371-00	3	4.25	4.25	Reinforced

### Stack & Loaded Arch Heights

Capacity	Part Number	Stack Height	Length (In.)	Axle Location	Loaded Arch Height
700	072-016-00	0.67	21	10.62	2.12
1000	072-017-00	0.79	21	10.62	2.12
1250	072-022-00	0.94	26	13.00	1.75
1250	072-006-00	0.94	24	12.00	2.50
1400	072-013-00	1.10	21	10.62	2.38
1500	072-023-00	1.04	26	13.00	1.75
1750	072-042-00	1.27	26	13.00	1.50
1750	072-009-00	1.08	24	12.00	2.50
2000	072-018-00	1.37	24	12.00	2.50
2000	072-024-00	1.16	26	13.00	1.75
2500	072-020-00	1.44	24	12.00	2.50
2600	072-025-00	1.44	26	13.00	1.75
3000	072-073-00	2.01	26	13.00	1.75
3500	072-027-00	2.05	26	13.00	1.75
4000	072-079-00	2.52	26	13.00	1.75

## Attaching Parts Kits

Capacity	33" Axle Spacing			35" Axle Spacing	
	Single	Tandem	Triple	Tandem	Triple
D20	A/P-122-00	A/P-233-00	A/P-335-00	N/A	N/A
D35	A/P-122-00	A/P-233-00	A/P-335-00	A/P-264-00	N/A
D52	A/P-122-00	A/P-233-00	A/P-335-00	A/P-264-00	A/P-364-00
D60	A/P-122-00	A/P-233-00	A/P-335-00	A/P-264-00	A/P-364-00
D70	A/P-122-00	A/P-233-00	A/P-335-00	A/P-264-00	A/P-364-00
D72	A/P-122-00	A/P-233-00	A/P-335-00	A/P-264-00	A/P-364-00



Underslung Shown

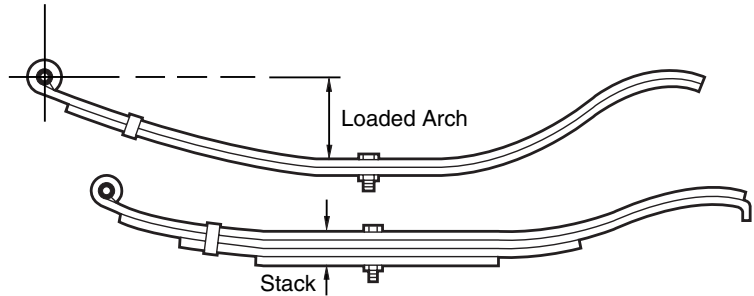
**DEXTER AXLE**

# HANGER AND ATTACHING PARTS KITS

## Slipper Leaf Springs

### Tube Diameter & Spring Pad Height - DE and SS

Capacity	Tube Dia. Standard	Tube Dia. Optional	Pad Ht. Standard	Pad Ht. Optional
D20	1.75	2.38	0.60	0.60
D35	2.38	3.00	0.60	0.60
D52	3.00	N/A	0.60	N/A
D60	3.00	N/A	0.60	N/A
D70	3.00	3.50	0.60	0.50
D72	3.00	3.50	0.60	0.50
D80	3.50	N/A	0.50	N/A



N/A - Not applicable

### Stack & Loaded Arch Heights

Capacity	Part Number	Stack Height	Width (In.)	Axle Location	Loaded Arch Height
700	072-003-00	0.57	1.75	13.00	3.12
1000	072-002-00	0.68	1.75	13.00	3.12
1500	072-029-00	1.16	2.00	11.50	2.00
2000	072-030-00	1.33	2.00	11.50	2.00
2500	072-031-00	1.44	2.00	11.50	2.00
3500	072-032-00	1.80	2.00	11.50	2.00
4000	072-051-01	2.52	2.00	11.50	2.00
4000*	072-051-02	2.52	2.00	11.50	2.00

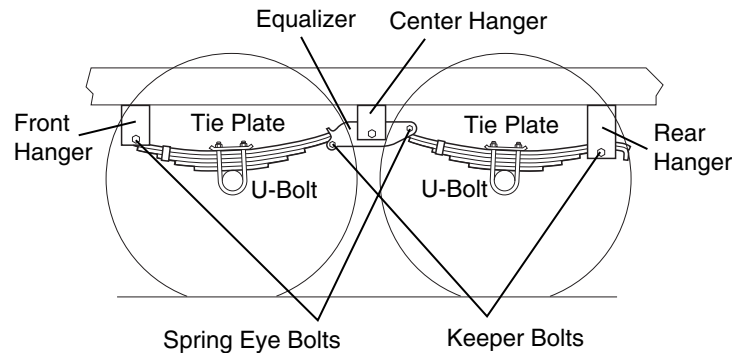
\* Rubber Bushed

### Hanger Heights

Hanger Kit	Axle Combination	Front Height	Center Height	Notes
HGR-115-00	1	1.00	N/A	D20 Only
HGR-110-00	1	4.25	N/A	3.5K-7K
HGR-138-00	1	5.00	N/A	
HAP-105-00	1	5.00	N/A	Rubber Bushed
HGR-202-00	2	4.25	3.50	
HGR-238-00	2	5.00	4.50	
HAP-205-01	2	5.00	4.50	Rubber Bushed
HGR-302-00	3	4.25	3.50	
HGR-338-00	3	5.00	4.50	

### Attaching Parts Kits

Capacity	Single	33.5" Axle Spacing		36" Axle Spacing	
		Tandem	Triple	Tandem	Triple
D20	A/P-115-00	N/A	N/A	N/A	N/A
D35	A/P-103-00	A/P-202-00	A/P-302-00	N/A	N/A
D52	A/P-103-00	A/P-202-00	A/P-302-00	A/P-216-00	A/P-316-00
D60	A/P-103-00	A/P-202-00	A/P-302-00	A/P-216-00	A/P-316-00
D70	A/P-103-00	A/P-202-00	A/P-302-00	A/P-216-00	A/P-316-00
D72	A/P-103-00	A/P-202-00	A/P-302-00	A/P-216-00	A/P-316-00
D80	A/P-103-00	A/P-202-00	A/P-302-00	A/P-216-00	A/P-316-00



Overslung Shown

HANGER & AP KITS

DEXTER AXLE

# INSTALLATION

**TORFLEX®**

The following instructions describe methods that can be used to attach your Torflex® axles to the vehicle frame.

**Step 1:** The user must first decide where to place the axle(s) on the trailer. The position of the wheel center relative to the CG (center of gravity) will determine the final axle loading as well as the hitch load.

**Step 2:** Determine the method of attachment you wish to use.  
 a. For structural tube type frame rails, refer to figure 1 for the recommended attachment.  
 b. For “C” channel or “I” beam type frame, refer to figure 2.

**Step 3:** Once the method of attachment is decided, the axle(s) must be carefully aligned on the trailer frame. The axle(s) centerline must be perpendicular to the longitudinal centerline of the trailer. See figure 3.

## CAUTION:

*Misalignment of the axle(s) can cause poor tracking and accelerated tire wear.*

## Attachment to Structural Tube Type Frame

- Dexter Axle recommends the use of side mounting hangers when mounting axles to tubular type frames. These hangers provide a convenient means for bolting the axles in place. All of the necessary components are included in the Side Mount AP kits listed in Chart 1.
- Refer to Chart 2 to find the mounting bracket dimensions of your axles. This chart shows the dimensions from the wheel center to the bolt holes of the brackets.
- The preferred way to use the side mount hanger is to pre-assemble the hangers to the axle using the hardware provided in the AP kit. Make sure the hangers are clamped firmly against the axle brackets and the bolts are tightened to the torque specifications shown in Chart 1. Position the axle assembly on the frame rails in the desired location and weld the side mount hangers to the frame.
- Axle bracket position is the distance as measured over the outboard edges of the brackets. This dimension is usually matched to the outside measurement of the frame members but depending on the type of frame may not always be suitable. The preferred arrangement should place the longest vertical section of the axle bracket directly under the most rigid section of the frame member.

**Side Mount Installation**

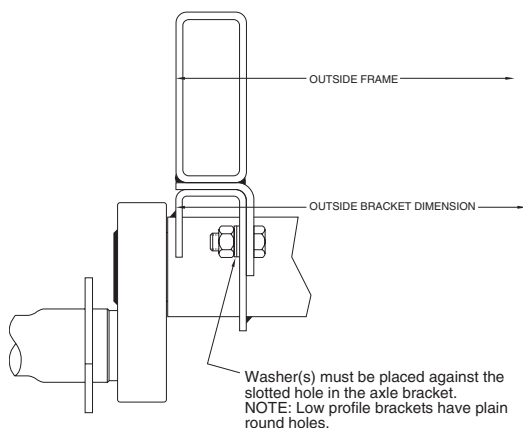


Figure 1

Side mount hangers should be welded to frame with three (3) ¼" fillet welds, 2½" long on each side of the hanger and a fillet weld on each end. Welds should meet the quality standards of the American Welding Society, D1.1, Structural Welding Code.

**Chart 1**  
**Attaching Parts Kits and Torque Specifications**

Axle Size	A/P Kit Top Mount	A/P Kit Side Mount	Bolt Size	Torque Lb-Ft.
#8	A/P-161-00	A/P-165-00	1/2"	70-90
#9	A/P-161-00	A/P-165-00	1/2"	70-90
#10	A/P-148-00	A/P-166-00	5/8"	120-155
#11	A/P-148-00	A/P-167-00	5/8"	120-155
#12	A/P-148-00	A/P-168-00	5/8"	120-155
#12V	A/P-148-00	A/P-168-00	5/8"	120-155
#13	A/P-148-00	A/P-169-00	5/8"	120-155

Side mount hangers and fasteners for mounting axle are provided in AP (attaching parts) kit shown in Chart 1. Torque fasteners to levels specified in Chart 1.

## Attachment to “C” Channels or “I” Beam Type Frame

- Refer to Chart 2 to find the mounting bracket dimensions of your axles. This chart shows the dimensions from the wheel center to the bolt holes of the brackets.
- Lay-out the bolt hole locations on the bottom flanges of the frame rails. Make sure the hole pattern matches the mounting brackets of your axles and is properly oriented to allow proper alignment of the axle(s).
- An alternate method for determining hole location is to position the axle assembly on the frame rails, align it perpendicular to the trailer centerline, clamp in place and transfer the holes directly from the brackets.
- Drill the holes through the frame rails and attach the axle using the hardware provided in the AP kit. Tighten the bolts to the torque specified in Chart 1.

## CAUTION:

*When bolting to structural shapes that have tapered flanges, bevel washers must be used to prevent uneven clamping and bending of the fasteners.*

**NOTE:** In the unlikely event a Torflex® axle must be replaced during the warranty period, Dexter Axle cannot assume responsibility for additional costs incurred for removal and re-installation of axles that have been welded directly to the frame.

**Top Mount Installation**

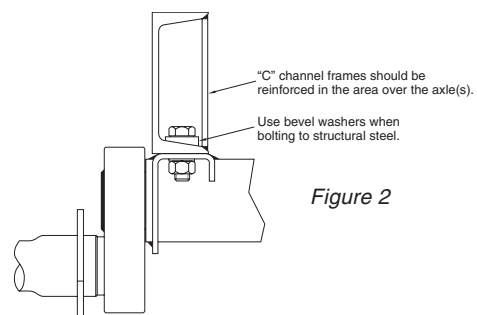


Figure 2

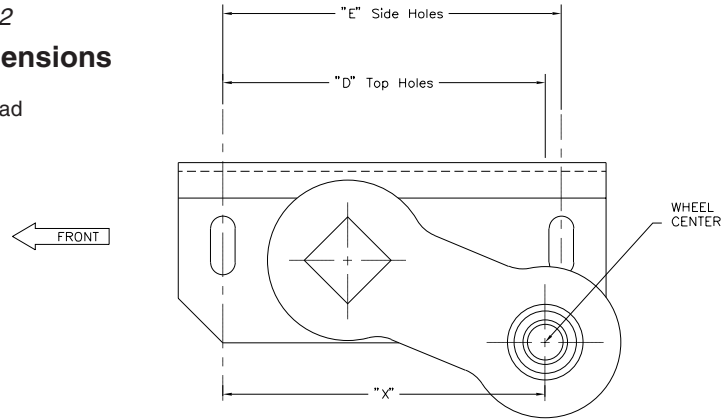
**DEXTER AXLE**

**CAUTION:**

"C" channel and "I" beam type frame sections should be reinforced in the area over the axle mounting brackets. It is recommended that the vertical leg of the axle bracket be positioned directly under the vertical segment or reinforcement of the frame member.

**Chart 2  
Bracket Dimensions**

Fender clearance: allow 3" over the tire at full load



Torflex Axle Model	Mounting Hole to Wheel Center - Dimension "X" (inches)												Mounting Hole Spacing Inches	
	Start Angle of Trailing Arm													
	45° DN		22.5° DN		10° DN		0°		10° UP		22.5° UP		Dim "D" (Top)	Dim "E" (Side)
	No Load	Full Load	No Load	Full Load	No Load	Full Load	No Load	Full Load	No Load	Full Load	No Load	Full Load		
#8 (4" arm)	5.21	6.08	6.08	6.38	6.32	6.29	6.38	6.08	6.32	5.75	6.08	5.21	7.75	8.00
#9 (6" arm)	6.62	7.92	7.92	8.38	8.29	8.24	8.38	7.92	8.29	7.44	7.92	6.62	7.75	8.00
#10 (6" arm)	6.74	8.04	8.04	8.50	8.41	8.36	8.50	8.04	8.41	7.56	8.04	6.74	8.00	8.00
#11 (6" arm)	7.74	9.04	9.04	9.50	9.41	9.36	9.50	9.04	9.41	8.56	9.04	7.74	9.00	9.50
#12 (6" arm)	7.74	9.04	9.04	9.50	9.41	9.36	9.50	9.04	9.41	8.56	9.04	7.74	9.00	9.50
#12V (6" arm)	7.74	9.04	9.04	9.50	9.41	9.36	9.50	9.04	9.41	8.56	9.04	7.74	9.00	9.50
#13 (6" arm)	7.84	9.17	9.17	9.63	9.54	9.49	9.63	9.17	9.54	8.69	9.17	7.87	10.56	10.56

**Axle Alignment**

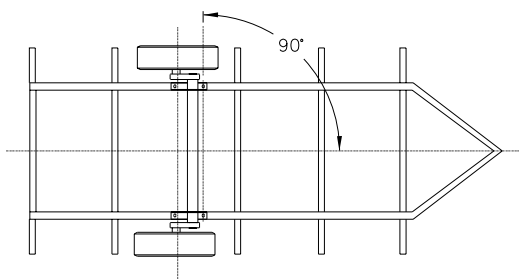


Figure 3

To insure proper tracking, the axle must be placed on the frame perpendicular to the centerline of the vehicle. The accuracy must be within plus or minus one half degree. For multiple axle applications, each axle must be parallel with the others within one sixteenth of an inch when measured at the wheel centers.

**CAUTION:**

When laying out the position for the axle(s), measuring from the front cross member should only be done if the cross member has been checked for squareness to the frame centerline. Any error in the cross member will be transferred to the axle and can result in poor tracking and excessive tire wear.

# DEXTER AXLE LIMITED WARRANTY

---

## WHAT PRODUCTS ARE COVERED

All Dexter trailer axles, suspensions, and brake control systems excluding Dexter 6000 series Manufactured Housing Axles.

## LIMITED 2 YEAR WARRANTY

Dexter Axle warrants to the original purchaser that its axles, suspension systems, and E/H hydraulic brake actuators shall be free from defects in material and workmanship for a period of two (2) years from the date of first sale of the trailer incorporating such components.

## LIMITED 5 YEAR WARRANTY

Dexter Axle warrants to the original purchaser that its Nev-R-Lube™ bearings and the suspension components only of its Torflex® Axles shall be free from defects in material and workmanship for a period of five (5) years from the date of first sale of the trailer incorporating such components.

## LIMITED 7 YEAR WARRANTY

Dexter Axle warrants to the original purchaser that its Predator Series™ electric brake controllers shall be free from defects in material and workmanship for a period of seven (7) years from the date of purchase.

## EXCLUSIVE REMEDY

Dexter Axle will, at its option, repair or replace the affected components of any defective axle, repair or replace the entire defective axle, or refund the then-current list price of the axle. In all cases, a reasonable time period must be allowed for warranty repairs to be completed. Allowance will only be made for installation costs specifically approved by Dexter Axle.

## WHAT YOU MUST DO

In order to make a claim under these warranties:

1. You must be the original purchaser of the vehicle in which the Spring Suspension Axles or Torflex® Axles were originally installed.
2. You must promptly notify us within the warranty period of any defect, and provide us with the axle serial number and any substantiation which may include, but is not limited to, the return of part(s) that we may reasonably request.
3. The axles or suspensions must have been installed and maintained in accordance with good industry practice and any specific Dexter Axle recommendations, including those specified in Dexter Axle's publication "Operation, Maintenance Service Manual."

## EXCLUSIONS

These warranties do not extend to or do not cover defects caused by:

1. The connecting of brake wiring to the trailer wiring or trailer wiring to the towing vehicle wiring.
2. The attachment of the running gear to the frame.
3. Hub imbalance, or any damage caused thereby.
4. Parts not supplied by Dexter Axle.
5. Any damage whatever caused by or related to any alteration of the axle including welding supplemental brackets to the axle.

6. Use of an axle on a unit other than the unit to which it was originally mounted.
7. Normal wear and tear.
8. Alignment.
9. Improper installation.
10. Unreasonable use (including failure to provide reasonable and necessary maintenance as specified in Dexter Axle's publication "Operation, Maintenance Service Manual" including required maintenance after "Prolonged Storage").
11. Improper wheel nut torque.
12. Cosmetic finish or corrosion.

## LIMITATIONS

1. **In all cases, Dexter Axle reserves the right to fully satisfy its obligations under the Limited Warranties by refunding the then-current list price of the defective axle (or, if the axle has been discontinued, of the most nearly comparable current product).**
2. Dexter Axle reserves the right to furnish a substitute or replacement component or product in the event an axle or any component of the axle is discontinued or is otherwise unavailable.
3. These warranties are nontransferable.

## GENERAL

**THE FOREGOING WARRANTIES ARE EXCLUSIVE AND IN LIEU OF ALL OTHER WARRANTIES EXCEPT THAT OF TITLE, IN LIEU OF ALL OTHER WARRANTIES EXCEPT THAT OF TITLE, WHETHER WRITTEN, ORAL OR IMPLIED, IN FACT OR IN LAW (INCLUDING ANY WARRANTY OF MERCHANTABILITY OR FITNESS FOR A PARTICULAR PURPOSE).**

These warranties give you specific legal rights, and you may also have other rights which vary from state to state.

**THE DURATION OF ANY IMPLIED WARRANTIES, INCLUDING THE IMPLIED WARRANTIES OF MERCHANTABILITY AND FITNESS FOR A PARTICULAR PURPOSE, ARE LIMITED TO THE DURATION OF THE EXPRESS WARRANTIES HEREIN. DEXTER AXLE HEREBY EXCLUDES INCIDENTAL AND CONSEQUENTIAL DAMAGES, INCLUDING LOSS OF TIME, INCONVENIENCE, LOSS OF USE, TOWING FEES, TELEPHONE CALLS OR COST OF MEALS, FOR ANY BREACH OF ANY EXPRESS OR IMPLIED WARRANTY, INCLUDING THE IMPLIED WARRANTIES OF MERCHANTABILITY AND FITNESS FOR A PARTICULAR PURPOSE.**

Some states do not allow limitations on how long an implied warranty lasts, or the exclusion or limitation of incidental or consequential damages, so the above exclusion or limitation may not apply to you.

Inquiries regarding these warranties should be sent to:

Dexter Axle  
P.O. Box 250  
Elkhart, Indiana 46515



# *NOTES*

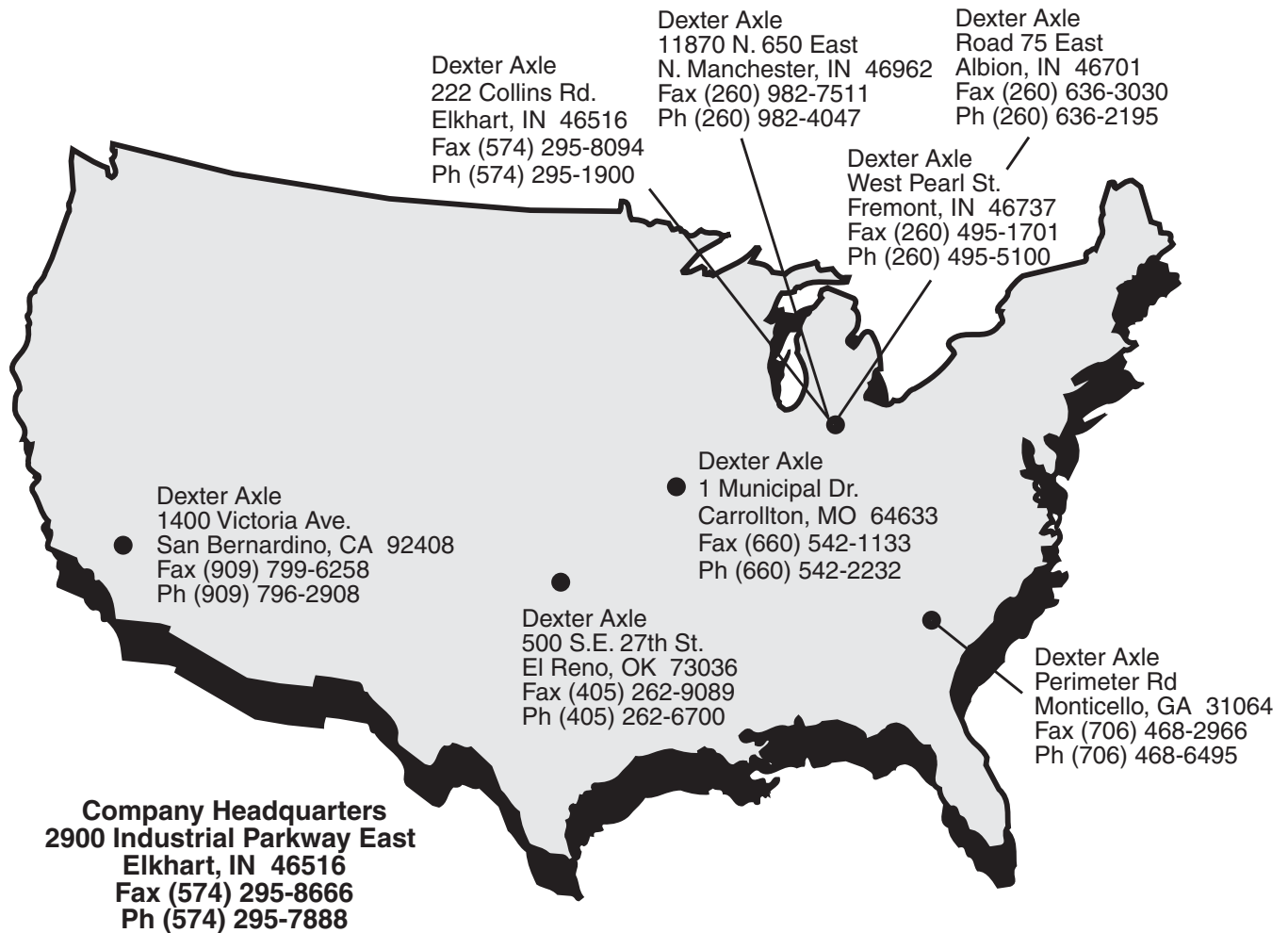
---

# *NOTES*

---

**Genuine Dexter axles and components are available nationwide from our plant locations listed below or through our network of distributors. Check our website for the distributor nearest you.**

**Visit us online at [www.dexteraxle.com](http://www.dexteraxle.com)**



---

**NO PART OF THIS CATALOG MAY BE REPRODUCED WITHOUT DEXTER AXLE'S PERMISSION.  
ALL PART NUMBERS, DIMENSIONS AND SPECIFICATIONS IN THIS CATALOG ARE SUBJECT  
TO CHANGE WITHOUT NOTICE.**

---



**DEXTER AXLE**  
[www.dexteraxle.com](http://www.dexteraxle.com)  
2900 Industrial Parkway East • Elkhart, IN 46516  
Fax: 574-295-8666 • Ph. 574-295-7888