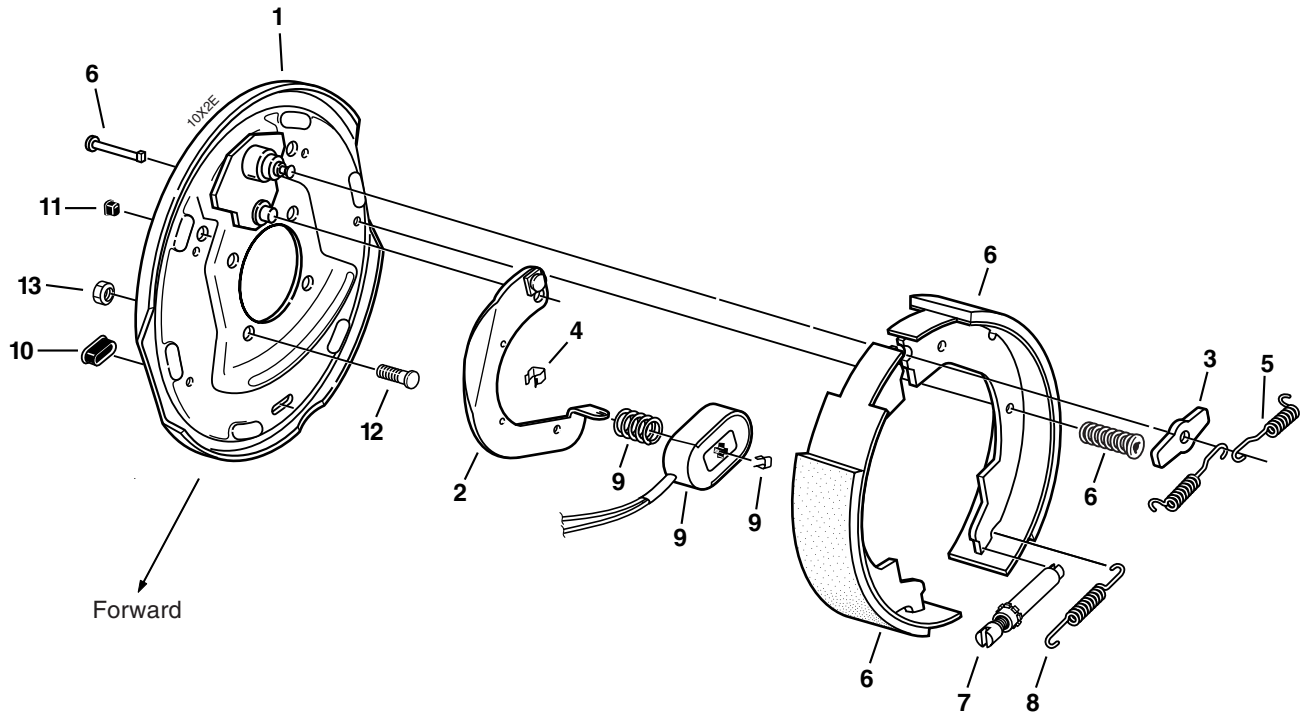


# 10x2 1/4" ELECTRIC BRAKE

CSA approved at 3500#/13.3 SLR

2300 - 3500 LBS. CAPACITY



## ELECTRIC BRAKE

Item	Part No.	Qty/Brk	Description
0	K23-026-00	1	LH Complete Brake Assembly (shown)
0	K23-027-00	1	RH Complete Brake Assembly
1	036-019-10	1	Backing Plate Assembly
2	047-019-05	1	LH Actuating Lever Arm
2	047-020-05	1	RH Actuating Lever Arm
3	005-067-00	1	Washer
4	027-005-00	3	Wire Clip
5	046-009-00	2	Retractor Spring
6	K71-047-00	1	Shoe & Lining Kit containing: 1 #040-017-00 Primary S&L 1 #040-021-00 Secondary S&L 2 #049-002-00 Shoe Hold Down Pin #8 2 #046-077-00 Shoe Hold Down Spring & Cup
7	043-004-00	1	Adjuster Assembly
8	046-018-00	1	Adjusting Screw Spring
9	K71-104-00	1	Magnet Kit containing: 1 #042-097-01 Magnet (green wire) 1 #027-009-00 Magnet Clip 1 #046-080-00 Magnet Spring
10	046-007-00	1	Adjuster Slot Plug
11	046-016-00	1	Wire Grommet
12	007-041-00	4	Brake Mounting Bolt - Press-in
*13	006-017-00	4	Brake Mounting Nut

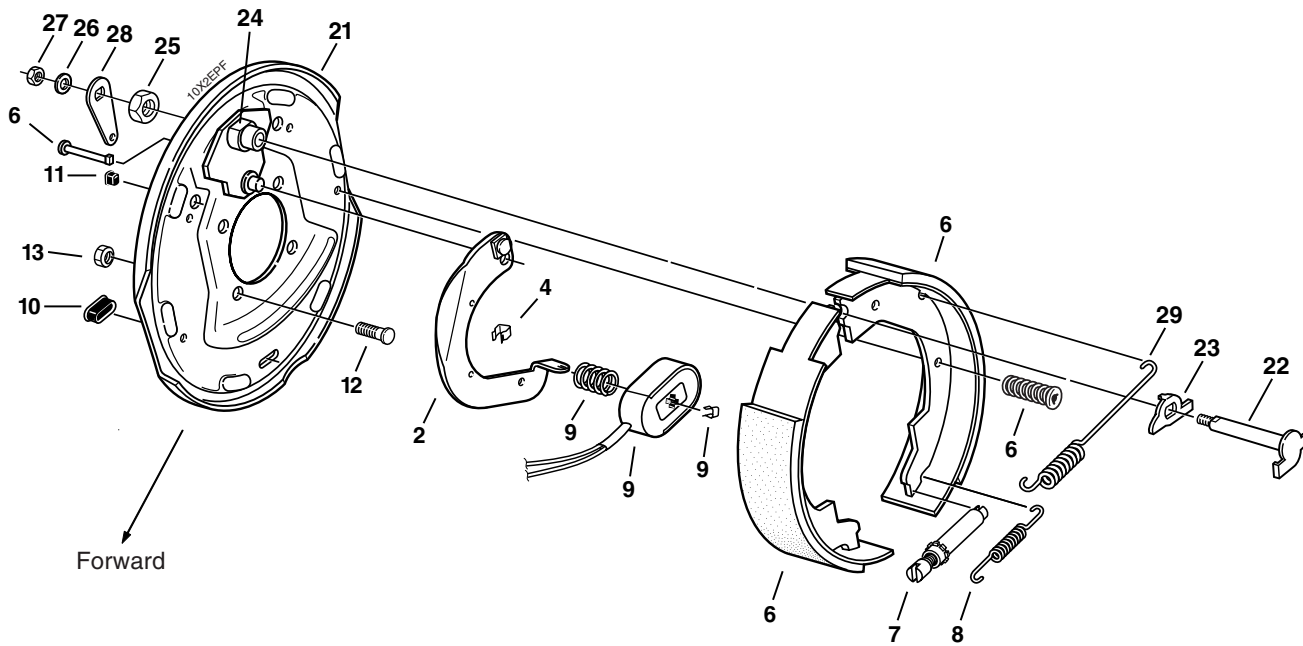
\* Not included with complete brake assembly. Items sold separately.

DEXTER AXLE

# 10x2 1/4" ELECTRIC BRAKE WITH PARKING FEATURE

CSA approved at 3500#/13.3 SLR

2300 - 3500 LBS. CAPACITY



## ELECTRIC PARKING BRAKE

Item	Part No.	Qty/Brk	Description
0	K23-086-00	1	LH Complete Brake Assembly (shown)
0	K23-087-00	1	RH Complete Brake Assembly
2	047-019-05	1	LH Actuating Lever Arm
2	047-020-05	1	RH Actuating Lever Arm
4	027-005-00	3	Wire Clip
6	K71-047-00	1	Shoe & Lining Kit containing: 1 #040-017-00 Primary S&L 1 #040-021-00 Secondary S&L 2 #049-002-00 Shoe Hold Down Pin #8 2 #046-077-00 Shoe Hold Down Spring & Cup
7	043-004-00	1	Adjuster Assembly
8	046-018-00	1	Adjusting Screw Spring
9	K71-104-00	1	Magnet Kit containing: 1 #042-097-01 Magnet (green wire) 1 #027-009-00 Magnet Clip 1 #046-080-00 Magnet Spring
10	046-007-00	1	Adjuster Slot Plug
11	046-016-00	1	Wire Grommet
12	007-041-00	4	Brake Mounting Bolt - Press-in
*13	006-017-00	4	Brake Mounting Nut
21	036-019-07	1	LH Backing Plate Assembly (includes items #12, 22-28)
21	036-019-08	1	RH Backing Plate Assembly (includes items #12, 22-28)
22	039-025-00	1	LH Pivot Pin & Cam Sub-Assembly
22	039-026-00	1	RH Pivot Pin & Cam Sub-Assembly
23	039-048-00	1	LH Actuating Cam
23	039-049-00	1	RH Actuating Cam
24	038-047-00	1	Anchor Post & Bushing Assembly
25	006-047-00	1	Anchor Post Locknut
26	005-041-00	1	Washer
27	006-011-00	1	Pivot Pin Locknut
28	047-070-00	1	Actuating Lever
29	046-056-00	1	Retractor Spring

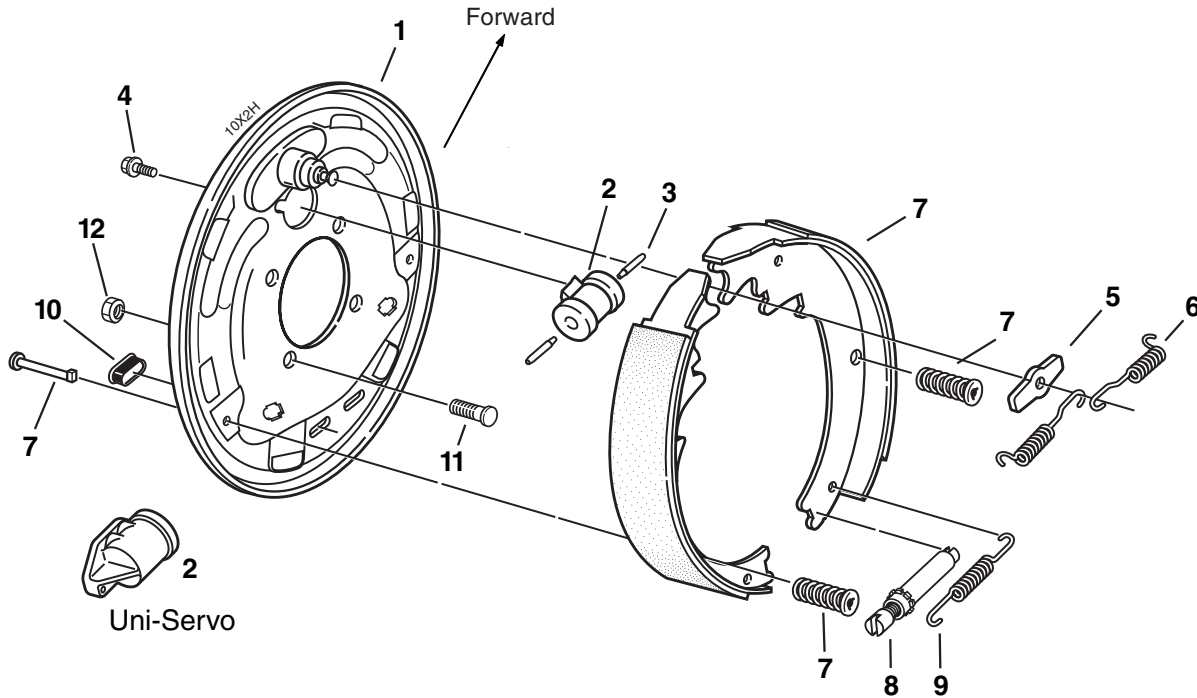
\* Not included with complete brake assembly. Item sold separately.

DEXTER AXLE

# 10x2 1/4" HYDRAULIC BRAKE

CSA approved at 3500#/14.0 SLR; Uni-Servo

2300 - 3500 LBS. CAPACITY



Note: Uni-servo brakes to be used with surge actuator

## HYDRAULIC BRAKE

Item	Part No.	Qty/Brake	Description
0	K23-310-00	1	LH Brake Assembly Complete-DS
0	K23-311-00	1	RH Brake Assembly Complete-DS (shown)
0	K23-312-00	1	LH Brake Assembly Complete-US
0	K23-313-00	1	RH Brake Assembly Complete-US (shown)
1	036-094-03	1	Backing Plate Assembly (includes item #11)
2	054-062-00	1	LH Brake Cylinder Duo-Servo
2	054-063-00	1	RH Brake Cylinder Duo-Servo
2	054-064-00	1	LH Brake Cylinder Uni-Servo
2	054-065-00	1	RH Brake Cylinder Uni-Servo
3	054-060-00	1 or 2	Cylinder Push Rod US (1) DS (2)
4	087-001-00	2	Sems (Screw & Washer Assembly)
5	005-113-00	1	Anchor Post Washer
6	046-009-00	2	Retractor Spring
7	K71-267-00	1	Shoe & Lining Kit containing: 1 #040-210-00 Primary Shoe & Lining 1 #040-211-00 Secondary Shoe & Lining 2 #046-077-00 Shoe Hold Down Spring & Cup 2 #049-002-00 Shoe Hold Down Pin #8
8	043-004-00	1	Adjuster Assembly
9	046-018-00	1	Adjusting Screw Spring
10	046-007-00	1	Adjuster Slot Plug
11	007-041-00	4	Brake Mounting Bolt - Press-in
*12	006-017-00	4	Brake Mounting Nut
ns	054-089-00	1	Bleeder Screw (included with item #2)

ns - not shown

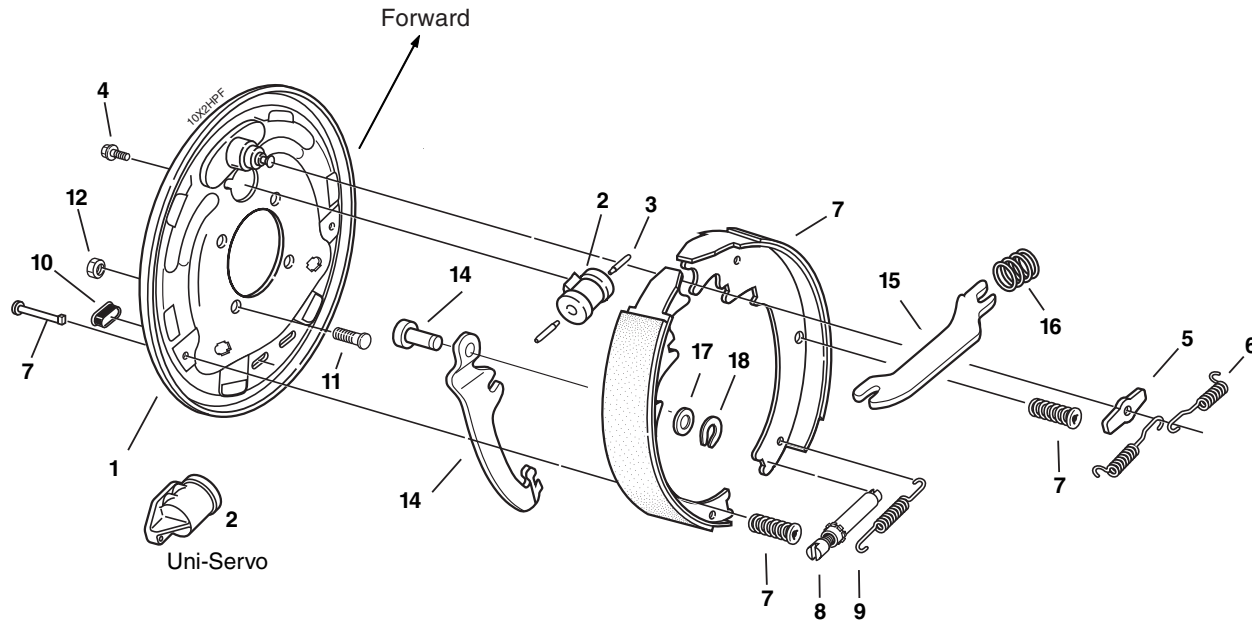
\*Not included with complete brake assembly. Item sold separately.

DEXTER AXLE

# 10x2 1/4" HYDRAULIC BRAKE WITH PARKING FEATURE

CSA approved at 3500#/14.0 SLR;Uni-Servo

2300 - 3500 LBS. CAPACITY



Note: Uni-servo brakes to be used with surge actuator

## HYDRAULIC PARKING BRAKE

Item	Part No.	Qty/Brk	Description
0	K23-330-00	1	LH Brake Assembly Complete-w/park-US
0	K23-331-00	1	RH Brake Assembly Complete-w/park-US (shown)
0	K23-400-00	1	LH Brake Assembly Complete-w/park-DS
0	K23-401-00	1	RH Brake Assembly Complete-w/park-DS (shown)
1	036-094-03	1	Backing Plate Assembly (includes item #11)
2	054-064-00	1	LH Brake Cylinder Uni-Servo
2	054-065-00	1	RH Brake Cylinder Uni-Servo
2	054-062-00	1	LH Brake Cylinder Duo-Servo
2	054-063-00	1	RH Brake Cylinder Duo-Servo
3	054-060-00	1 or 2	Cylinder Push Rod US (1) DS (2)
4	087-001-00	2	Sems (Screw & Washer Assembly)
5	005-113-00	1	Anchor Post Washer
6	046-009-00	2	Retractor Spring
7	K71-267-00	1	Shoe & Lining Kit containing: 1 #040-210-00 Primary Shoe & Lining 1 #040-211-00 Secondary Shoe & Lining 2 #046-077-00 Shoe Hold Down Spring & Cup 2 #049-002-00 Shoe Hold Down Pin #8
8	043-004-00	1	Adjuster Assembly
9	046-018-00	1	Adjusting Screw Spring
10	046-007-00	1	Adjuster Slot Plug
11	007-041-00	4	Brake Mounting Bolt
*12	006-017-00	4	Brake Mounting Nut
14	047-116-01	1	LH Parking Lever & Pin Assembly
14	047-117-01	1	RH Parking Lever & Pin Assembly
15	047-118-00	1	Parking Strut
16	046-103-00	1	Parking Strut Spring
17	005-112-00	1	Spring Tension Washer
18	069-055-00	1	Retainer
ns	054-089-00	1	Bleeder Screw (included with item #2)
ns	071-514-00	1	Park Brake Cable

ns - not shown

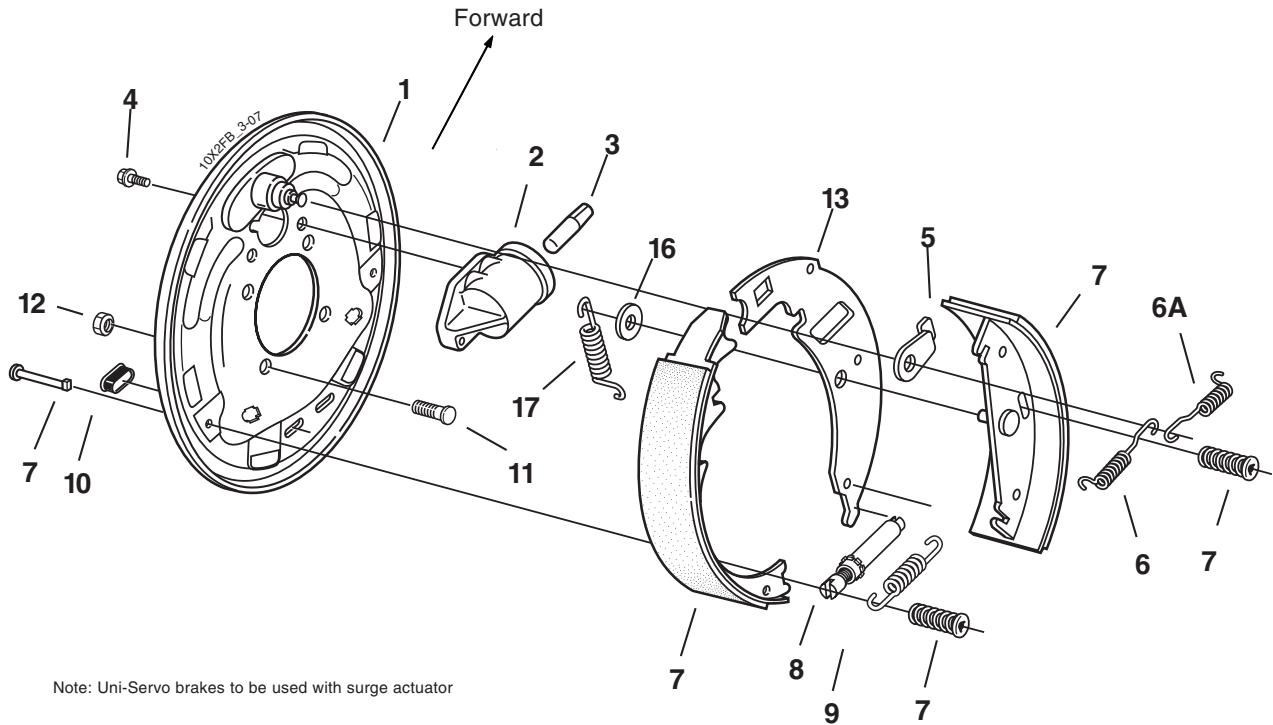
\*Not included with complete brake assembly. Item sold separately.

DEXTER AXLE

# 10x2 1/4" HYDRAULIC BRAKE FREE BACKING

CSA approved at 3500#/14.0 SLR; Uni-Servo

2300 - 3500 LBS. CAPACITY



Note: Uni-Servo brakes to be used with surge actuator

## HYDRAULIC FREE BACKING BRAKE

Item	Part No.	Qty/Brk	Description
0	K23-344-00	1	LH Brake Assembly Complete-FB
0	K23-345-00	1	RH Brake Assembly Complete-FB (shown)
1	036-094-03	1	Backing Plate Assembly (incl. item #11)
2	054-064-00	1	LH Brake Cylinder Uni-Servo
2	054-065-00	1	RH Brake Cylinder Uni-Servo
3	054-060-00	1	Cylinder Push Rod
4	087-001-00	2	Sems (screw & washer assembly)
5	037-069-02	1	Travel Link
6	046-009-00	1	Retractor Spring
6A	046-107-01	1	Shoe Lever Return Spring
7	K71-393-00	1	Shoe & Lining Kit containing: 1 #040-291-00 Primary Shoe & Lining 1 #040-211-00 Secondary Shoe & Lining 2 #046-077-00 Shoe Hold Down Spring & Cup 2 #049-002-00 Shoe Hold Down Pin #8
8	043-004-00	1	Adjuster Assembly
9	046-083-00	1	Adjusting Screw Spring
10	046-007-00	1	Adjuster Slot Plug
11	007-041-00	4	Brake Mounting Bolt
*12	006-017-00	4	Brake Mounting Nut
13	040-240-02	1	Shoe Lever
16	005-064-00	1	Washer
17	046-108-01	1	Primary Shoe Return
ns	054-089-00	1	Bleeder Screw (included with item #2)
ns	071-514-00	1	Park Brake Cable

ns - not shown

\* Not included with complete brake assembly. Items sold separately.

## HYDRAULIC FREE BACKING BRAKE CORROSION RESISTANT

Item	Part No.	Qty/Brk	Description
0	K23-344-01	1	LH Brake Assembly Complete-FB
0	K23-345-01	1	RH Brake Assembly Complete-FB
1	036-094-04	1	Backing Plate Assembly (incl. item #11)
2	054-064-01	1	LH Brake Cylinder Uni-Servo
2	054-065-01	1	RH Brake Cylinder Uni-Servo
3	054-060-00	1	Cylinder Push Rod
4	087-001-00	2	Sems (screw & washer assembly)
5	037-069-02	1	Travel Link
6	046-009-01	1	Retractor Spring
6A	046-107-03	1	Shoe Lever Return Spring
7	K71-393-00	1	Shoe & Lining Kit containing: 1 #040-291-00 Primary Shoe & Lining 1 #040-211-00 Secondary Shoe & Lining 2 #046-077-00 Shoe Hold Down Spring & Cup 2 #049-002-00 Shoe Hold Down Pin #8
8	043-004-02	1	Adjuster Assembly
9	046-083-01	1	Adjusting Screw Spring
10	046-007-00	1	Adjuster Slot Plug
11	007-041-00	4	Brake Mounting Bolt
*12	006-017-00	4	Brake Mounting Nut
13	040-240-02	1	Shoe Lever
16	005-064-00	1	Washer
17	046-108-03	1	Primary Shoe Return Spring
ns	054-089-00	1	Bleeder Screw (included with item #2)

DEXTER AXLE